

RJ45 WITH 10GB MAGNETICS SERIES

HIGH SPEED 10GB PERFORMANCE

The XMJax is the most lead edge connector for 10 Gigabit Ethernet Transmission with 10GBase-T twisted pair cabling capability. These RJ45 10GB Magnetic connectors are available in for LAN or WAN applications and for use with existing CAT6, 6A or 7 or better UTP cable.

The XMJax series of connectors are designed to allow hardware engineers to easily implement 10GBase-T into their products.

FEATURES:

- RJ45 Connector with 10Gigabit LAN Magnetics
- CAT6, 6A & 7 Fast Ethernet cable or better UTP
- Meet or Exceed IEEE 802.3/802.3an standard
- Internal magnetics are 100% electrically tested for Hi-Pot and functionality
- Internal magnetics options available
- Maximum EMI suppression

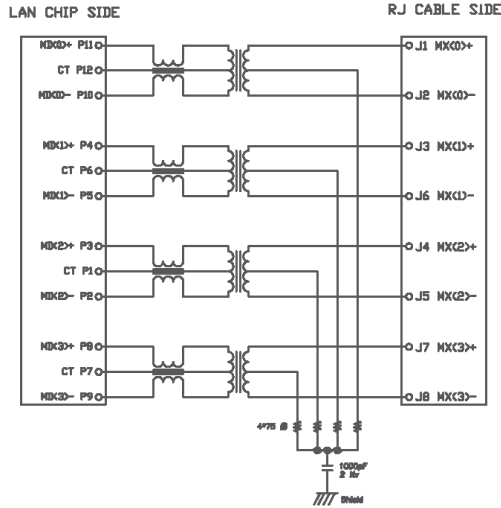


GENERAL SPECIFICATION:

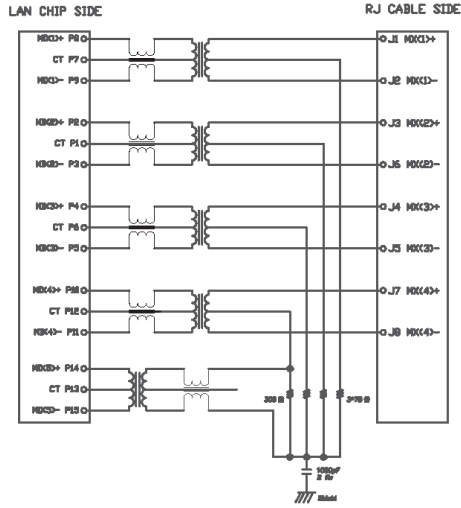
Product Type Features		Housing Related Features	
Tab Type	Tab Down	Material	LCP
PCB Mount Angle	Side Entry (Right Angle)	Housing Flammability	UL 94V-0
Number of Ports	1x1	Color	Black
Number of Positions	8	Contact Features	
Number of Contacts	8	Material	Phos-Bronze
PCB Mount Style	Through Hole	Contact Area Plating	Hard Gold
LED	With or Without	Solder Area Plating	Tin
Transformer	Integrated in Connector	Magnetic Features	
Shielding Features		Transformer Speed	10GB
Material	Copper Alloy	Dimensions (mm)	
Plating	Nickel	Length	24.13 or 28.58
EMI Fingers	All Side or Without	Width	17.78
Number of PCB Ground Tabs	2	Height	All Side or 11.30
Ground Pin Position (mm)	None		

10GB SCHEMATICS

GB1:



GB2:



ELECTRICAL SPECIFICATIONS:

10G Mbps MHz Electrical Specification @25degree C

Insertion Loss				Return Loss			
1-5MHz	5-200MHz	200-400MHz	400-6000MHz	1-5MHz	5-200MHz	200-400MHz	400-6000MHz
1-5MHz	5-200MHz	200-400MHz	400-6000MHz	1-5MHz	5-200MHz	200-400MHz	400-6000MHz

Cross Talk	Cm to Dm Rejection	Cm to Cm Rejection			Hi Pot
100-500 MHz	1-500 MHz	1-100 MHz	100-300 MHz	300-600 MHz	Input to Output
-30dB Min	-30dB Min	-40dB Min	-35dB Min	-30dB Min	1500 VAC for 60 Seconds

ORDERING INFORMATION:

PART NUMBER	DESCRIPTION
XMG-01G-X-GB1-XXX	RJ45 Tab Down 10Gigabit Magnetics, 8P, 12C, w/Light Pipe, Shielded, Through Hole
XMG-01GB-X-GB2-XXX	RJ45 Tab Down 10Gigabit Magnetics, 8P, 15C, w/Light Pipe, Shielded, Through Hole
XMH-01G-X-XXX-XXX	RJ45 Tab Up 10Gigabit Magnetics, 8P, 15C, w/Light Pipe, Shielded, Through Hole