

**Part Numbering:**

**XRJB - XXX - X - X XX - X X X**

**MECHANICAL TYPES**

- G70: RJ45 over Dual USB A type
- G7A: RJ45 over Dual USB A type  
Ground pegs Asymmetry
- G7B: RJ45 over Dual USB A type
- G7C: RJ45 over Dual USB A type  
Ground pegs Asymmetry
- K60: RJ45 over Dual USB A type
- B60: RJ45 over USB B type
- A60: RJ45 over USB A type

**LED COLOR OPTIONS**

**PROTOCOL TYPES**

- D: 10/100 Mbps, 4 cores or 6 cores
- E: 10/100 Mbps, 5 cores
- H: 10/100/1000 Mbps, 8 cores
- L: 10/100/1000 Mbps, 12 cores

**CIRCUIT TYPES**

**LED POLARITY OPTIONS**

- 0: Non- LED
- 1: + , + -
- 2: + , - +
- 3: - , - +
- 4: Bi-color , Bi-color
- 5: Bi-color , + -
- 6: Bi-color , - +
- 7: + - , Bi-color
- 8: - + , Bi-color
- 9: Tri-color , Tri-color
- A: Tri-color , + -
- B: - + , + -

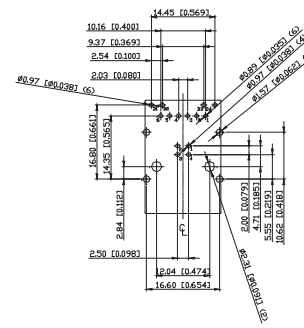
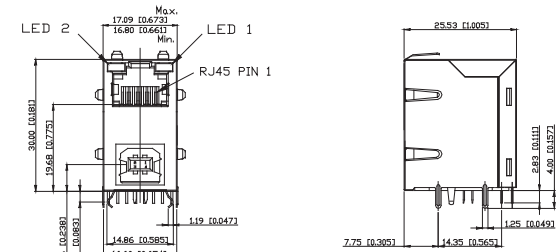
**EMI FINGER OPTIONS**

- 7: EMI Fingers on all sides
- 8: Non- EMI fingers

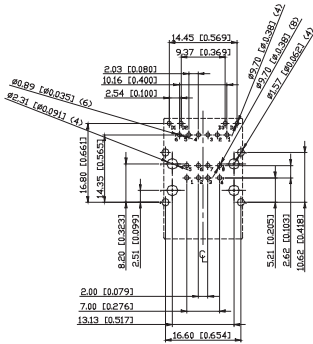
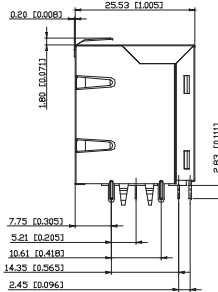
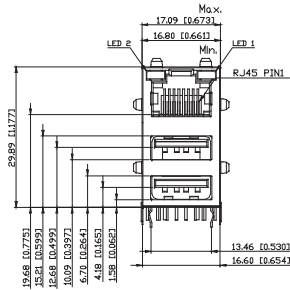
**SPECIAL CODE OPTIONS**

- 0: Standard
- 1: Operating Temperature  
-40°C ~ +85°C
- 2: Exterior base covered with PCB
- 3: Contact Gold plating 50u"
- 4: Housing material - Nylon
- 5: LED with resistance
- 8: w/o logo
- 9: Elecharacteristics follow  
customer request
- B: w/Logo, w/o part number  
and date code printed
- C: Remove partial pins
- D: LED with resistance;Housing  
material-Nylon
- F: LED - High Temp.
- G: Pantone 299 Blue
- H: LED use glue(KE45) to fix
- J: w/o logo, but with date code printed
- Y: Pantone 114C Yellow

**Mechanical Type: RJ45 over USB B Type, B6 Series**



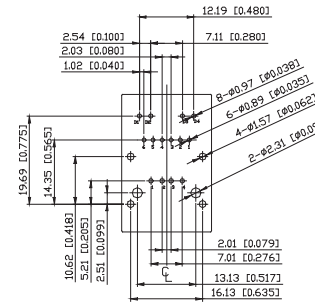
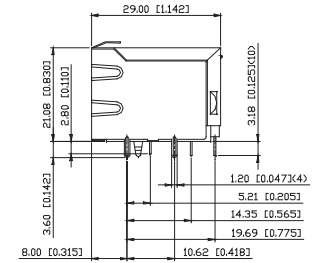
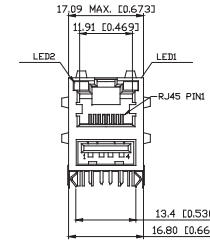
**Mechanical Type: RJ45 over USB Dual A Type, K6 Series**



SUGGESTED PCB LAYOUT (TOP VIEW)

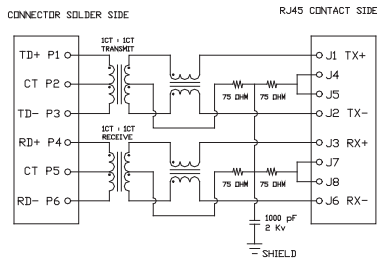
The above dimensions are for references only and are not to be used for design work. Please contact our sales people for the specification drawing for your application.

**Mechanical Type: RJ45 over USB A Type, A6 Series**

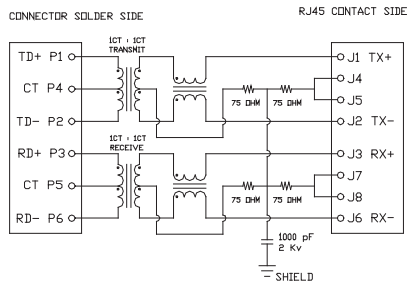


SUGGESTED PCB LAYOUT (TOP VIEW)

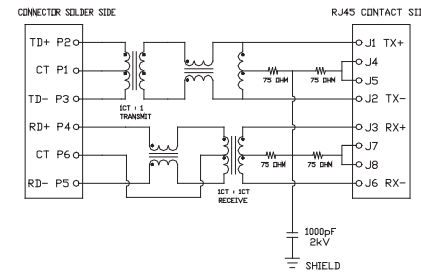
The above dimensions are for references only and are not to be used for design work. Please contact our sales people for the specification drawing for your application.



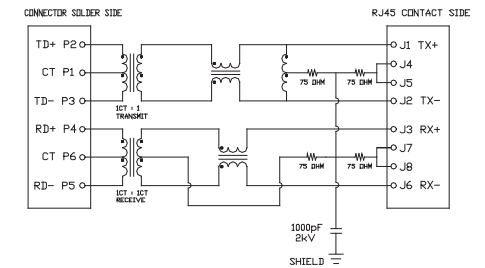
**D11**



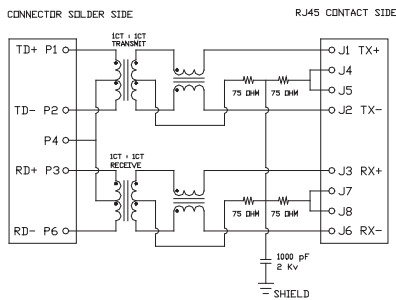
**D21**



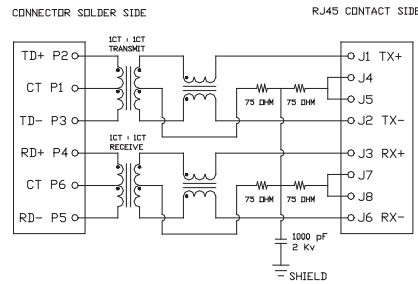
**E21**



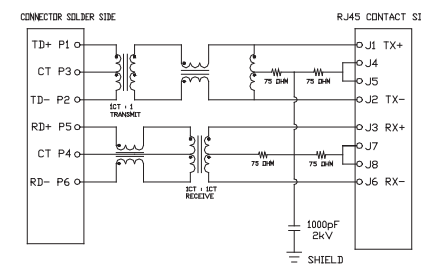
**E22**



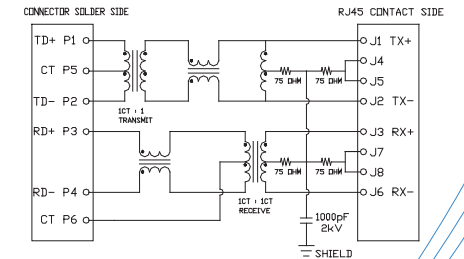
**DC1**



**DA1**

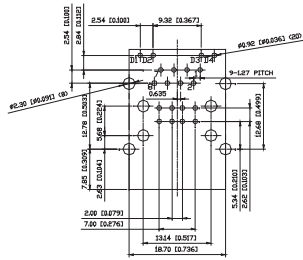
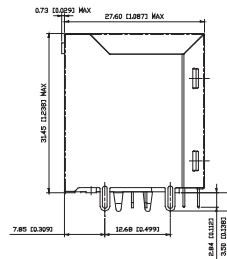
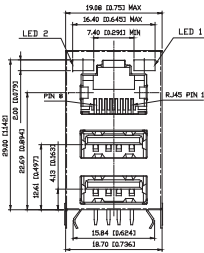


**E44**

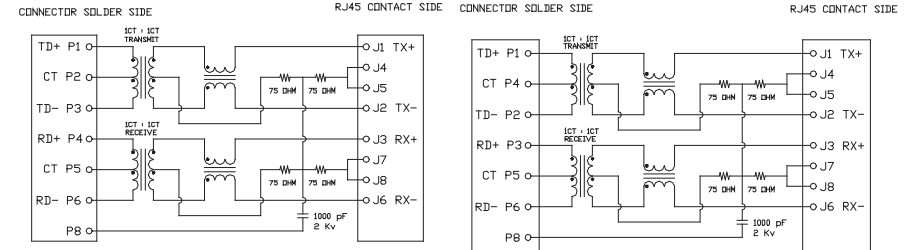


**ED2**

**Mechanical Type: RJ45 over USB Dual A Type, G7 Series**

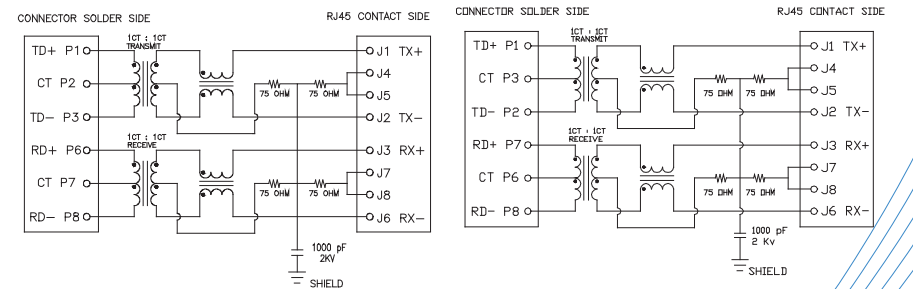


SUGGESTED PCB LAYOUT (TOP VIEW)



D12

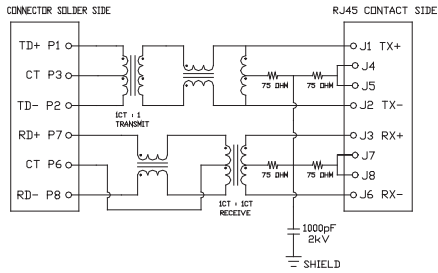
D22



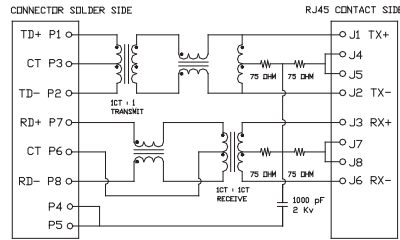
D51

D31

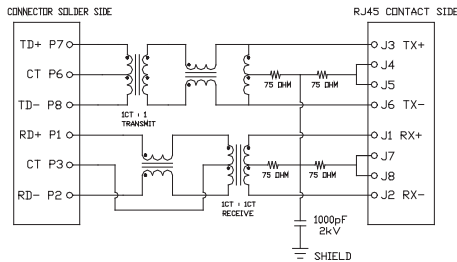
## Mechanical Type: RJ45 over USB Dual A Type, G7 Series



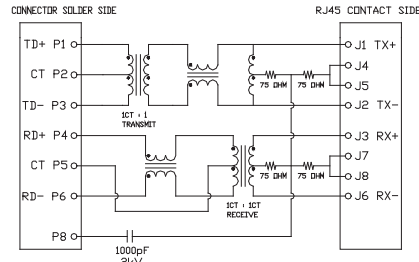
E11



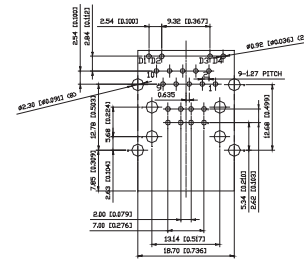
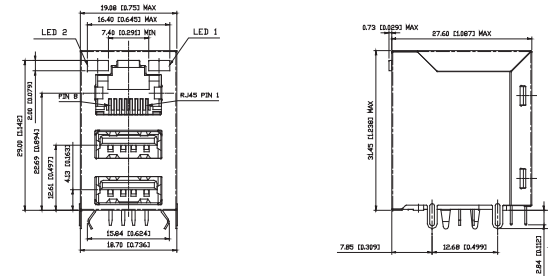
E13



E31

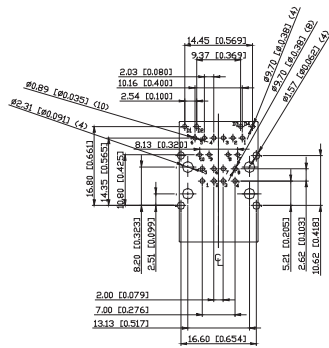
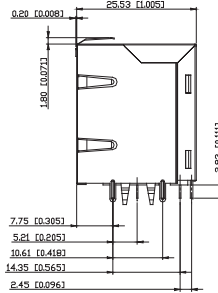
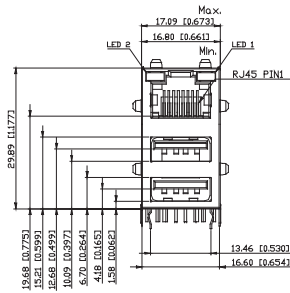


E51



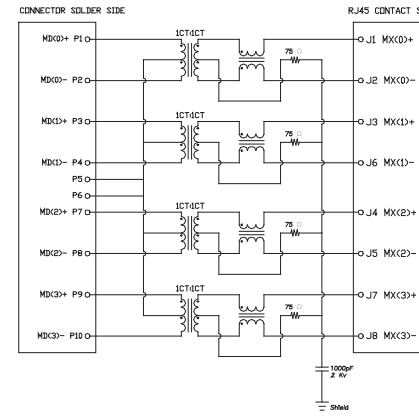
SUGGESTED PCB LAYOUT (TOP VIEW)

**Mechanical Type: RJ45 over USB Dual A Type, K6 Series**

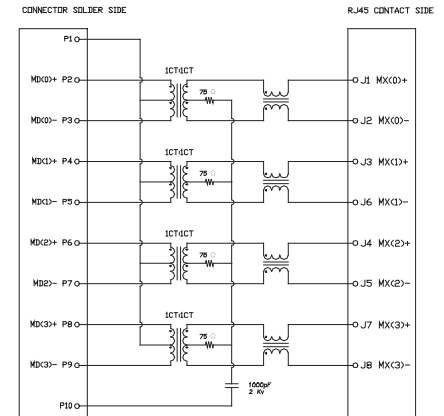


SUGGESTED PCB LAYOUT (TOP VIEW)

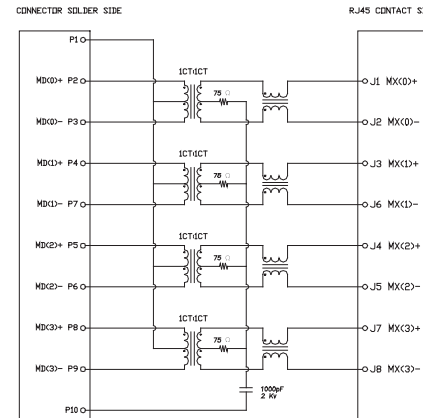
The above dimensions are for references only and are not to be used for design work. Please contact our sales people for the specification drawing for your application.



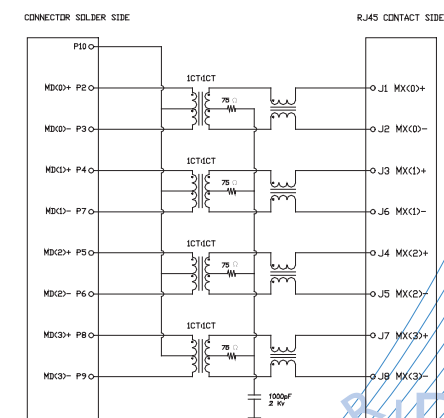
H11



H32

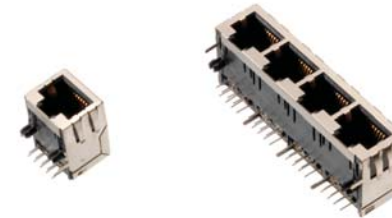
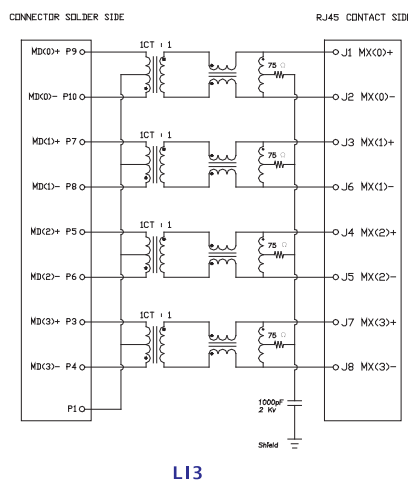
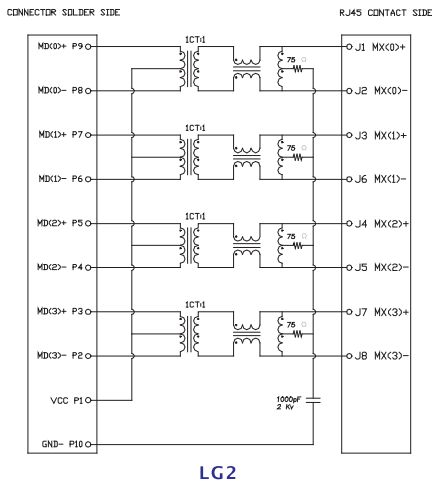
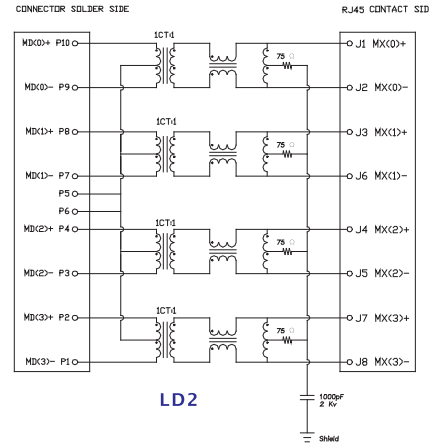
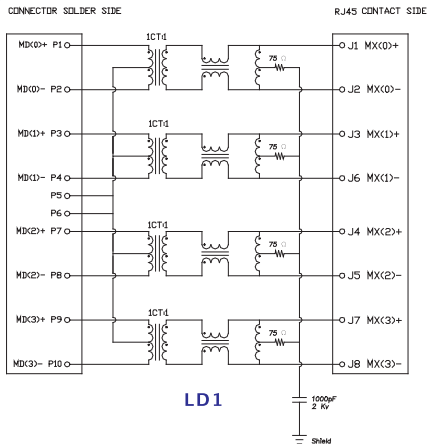


H91



H92

The above dimensions are for references only and are not to be used for design work. Please contact our sales people for the specification drawing for your application.



<b>Performance Specifications</b>	
<b>Materials and Finish</b>	
Housing	Thermoplastic UL 94V-0, Color Black
Contacts	Phosphor bronze plated with hard gold(optional) and Tin in solder area
Shielding	SUS or Brass Nickel plating
Operating Temperature	0°C~70°C
Storage Temperature	-40°C~85°C
<b>Mechanical Characteristics</b>	
Durability	500 Mating Cycles
Mating Force	5 Pounds Max.
Unmating Force	5 Pounds Max.
<b>Electrical Characteristics</b>	
Current Rating	1.5 A Max.
Voltage Rating	150 VAC Max.
Insulation Resistance	500 MΩ Min.
Dielectric Withstanding Voltage	AC 1KVrms at 60Hz, 1 minute between adjacent contacts
Termination Resistance	40mΩ Max. Initial 50mΩ Max. Final

<b>W/Integrated+10/100 or Gigabit LAN Magnetics</b>	
<b>Features and Benefits</b>	
Tab down RJ45 with internal LAN magnetics	
Suitable for CAT5 & 6 Fast Ethernet Cable or better UTP	
Internal magnetics are 100% electrically tested for HI-POT and functionality	
<b>Electrical and Performance Summary</b>	
Internal magnetics options available	
Meet or exceed IEEE 802.3 and IEEE802.3ab standard	
350 μH minimum OCL with 8mA bias current	
High performance for maximum EMI suppression	
Minimum 1500Vrms isolation per IEEE 802.3 requirements	
Options:1, 2 and 4 ports	