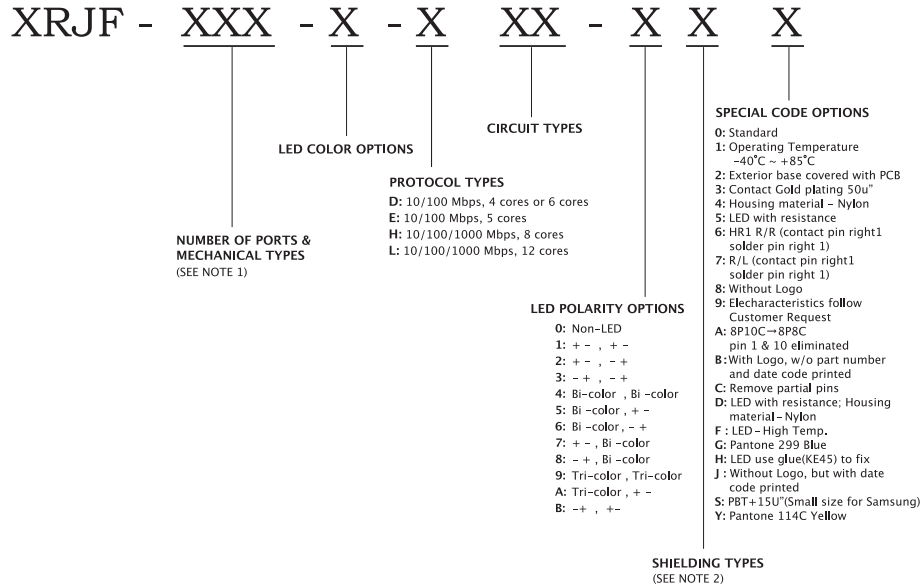


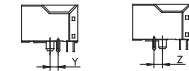
**Part Numbering:**



**Note 1:**

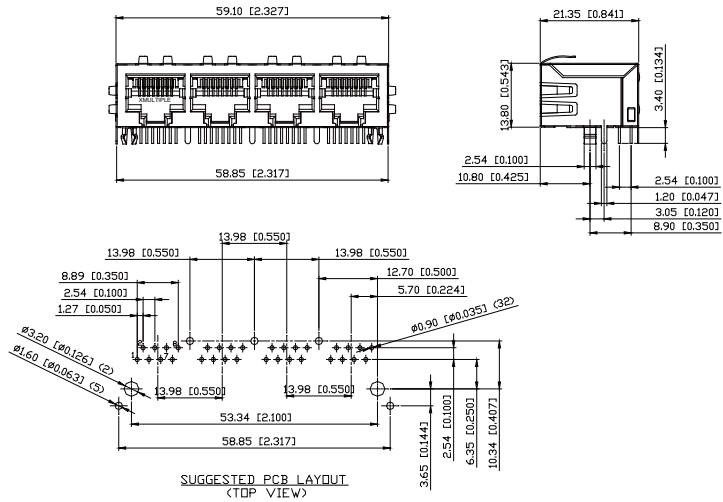
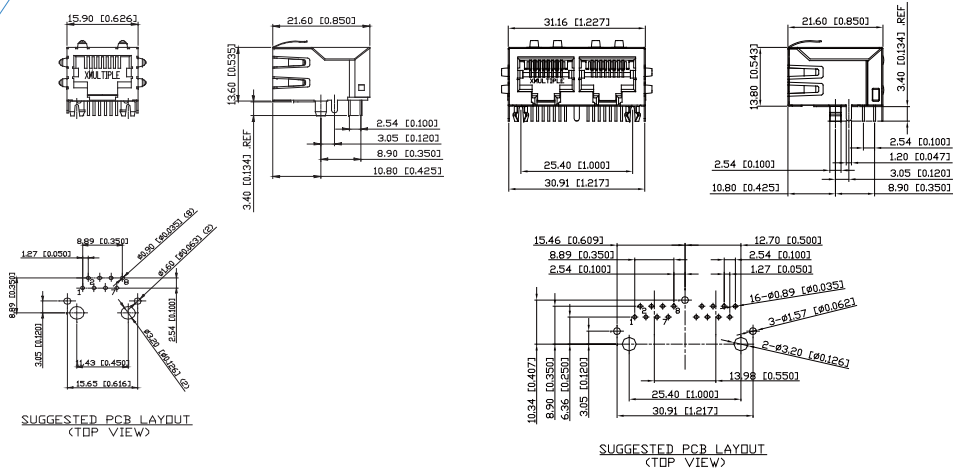
- 01A: 1 port for XRJF or XRJG w/Horizontal LED pins(Modular)
- 01J: 1 port for XRJF or XRJG w/Horizontal LED pins
- 02J: 2 ports for XRJF or XRJG
- 04A: 4 ports for XRJF or XRJG (Modular)
- 04J: 4 ports for XRJF or XRJG

**Note 2:**

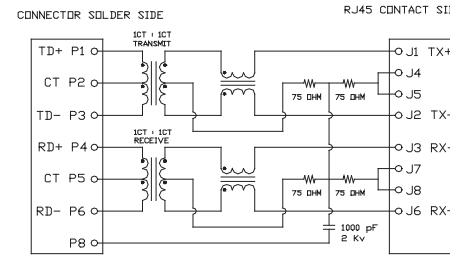


- 0: Unshielded
- 1: Y=3.05, EMI fingers on all sides
- 2: Y=3.05, Non-EMI fingers
- 3: Z=3.65, EMI fingers on all sides
- 4: Z=3.65, Non-EMI fingers
- 5: Z=3.05, EMI fingers on all sides
- 6: Z=3.05, Non-EMI fingers
- 7: EMI fingers on all sides
- 8: Non-EMI fingers
- 9: 4 Ports w/2 Tabs, Y=3.05, EMI fingers on all sides
- A: 4 Ports w/3 Tabs, Y=3.05, EMI fingers on all sides
- B: 4 Ports w/3 Tabs, Z=3.65, EMI fingers on all sides
- C: 4 Ports w/3 Tabs, Z=3.65mm, Non-EMI fingers
- D: 4 Ports w/o Tabs, Y=3.05, EMI fingers on all sides
- E: 4 Ports w/3 Tabs, w/o Grounding, EMI finger on all sides
- G: Y=3.05, EMI fingers on top side
- H: EMI fingers on top side
- I: 4 Ports w/3 Tabs, Y=3.05, EMI fingers on top side
- J: 4 Ports w/o Tabs, Z=3.68, Non-EMI fingers
- K: 4 Ports w/3 Tabs, Y=3.05, Non-EMI fingers
- L: 4 Ports w/2 Tabs, Y=3.05, Non-EMI fingers
- M: 4 Ports w/3 Tabs, Z=3.05, Non-EMI fingers
- N: 4 Ports w/o Tabs, Y=3.05, Non-EMI fingers

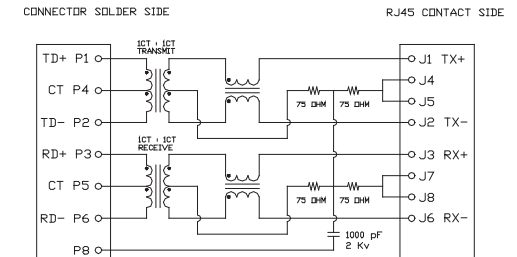
Mechanical Type: 01A & 02J & 04A  
01J & 02J & 04J



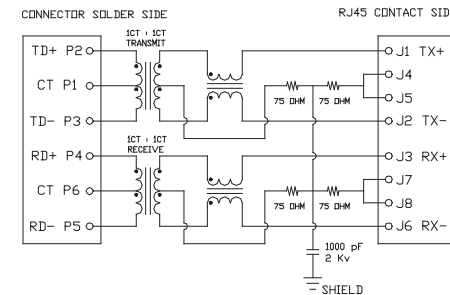
The above dimensions are for references only and are not to be used for design work. Please contact our sales people for the specification drawing for your application.



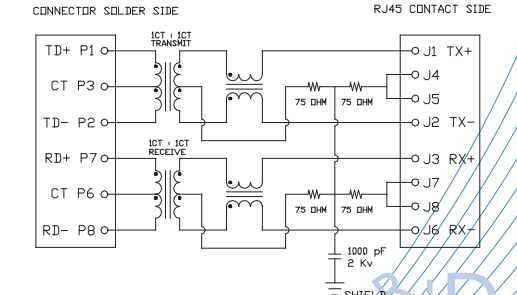
**D12**



**D22**



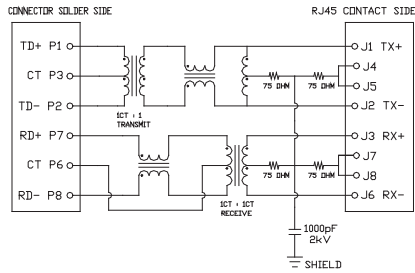
**DA1**



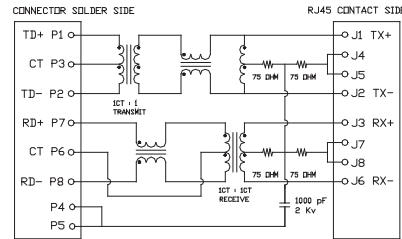
**D31**

The above dimensions are for references only and are not to be used for design work. Please contact our sales people for the specification drawing for your application.

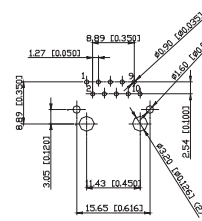
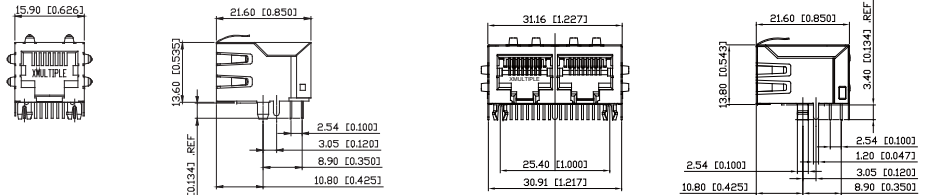
Mechanical Type: 01A & 02J & 04A  
01J & 02J & 04J



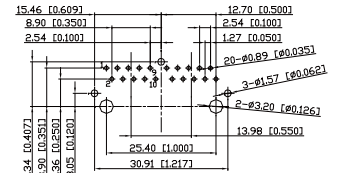
E11



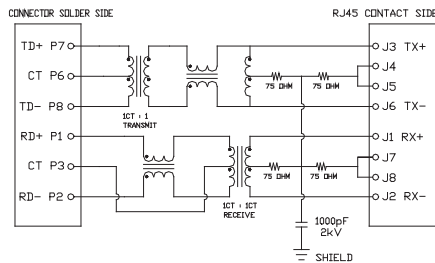
E13



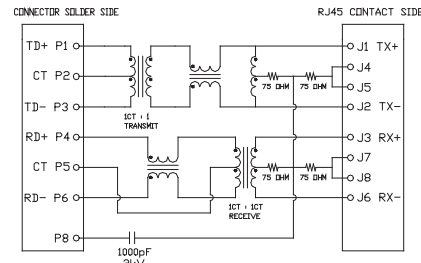
SUGGESTED PCB LAYOUT (TOP VIEW)



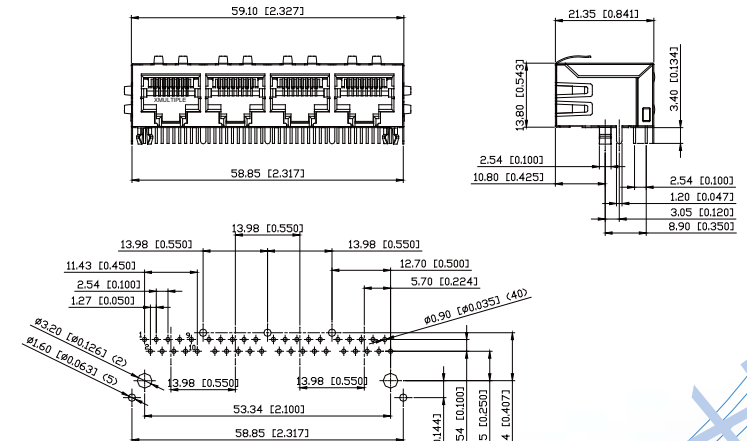
SUGGESTED PCB LAYOUT (TOP VIEW)



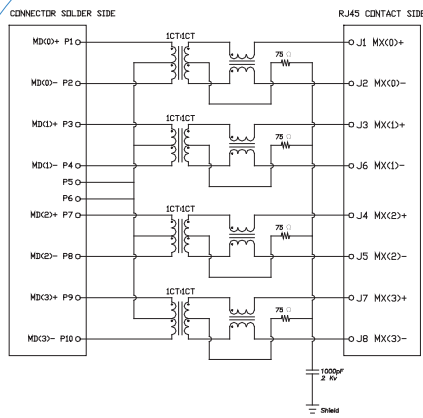
E31



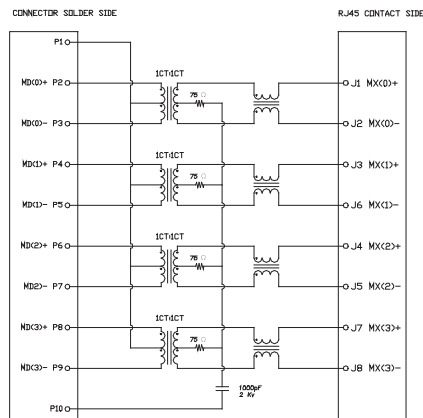
E51



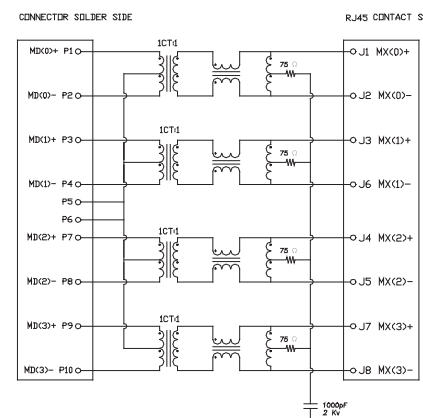
SUGGESTED PCB LAYOUT (TOP VIEW)



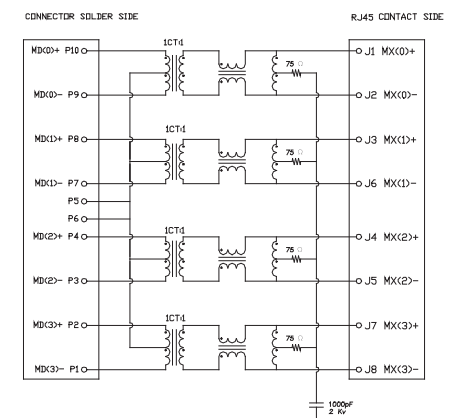
**H11**



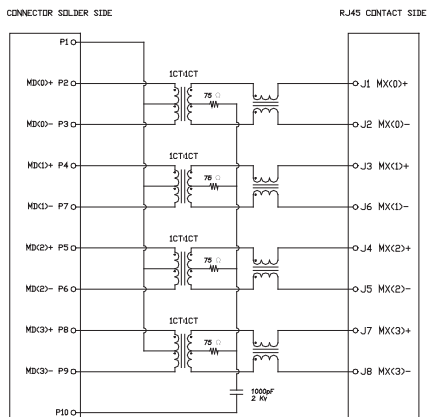
**H32**



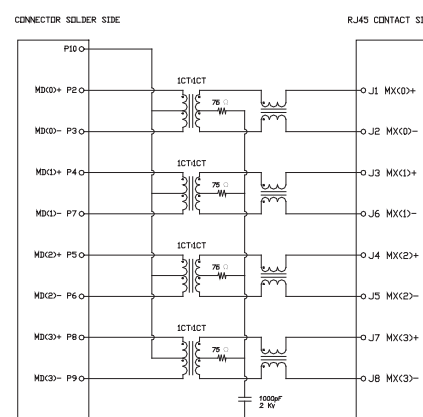
**LD1**



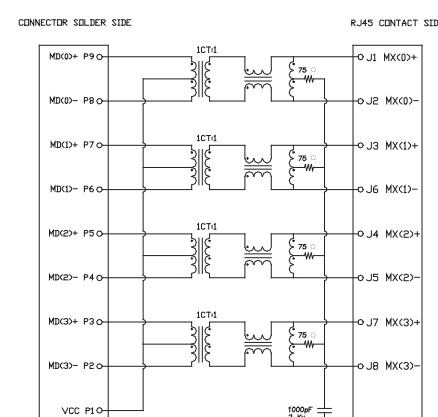
**LD2**



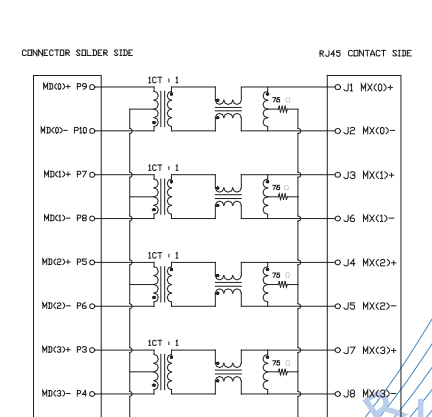
**H91**



**H92**



**LG2**



**LI3**