

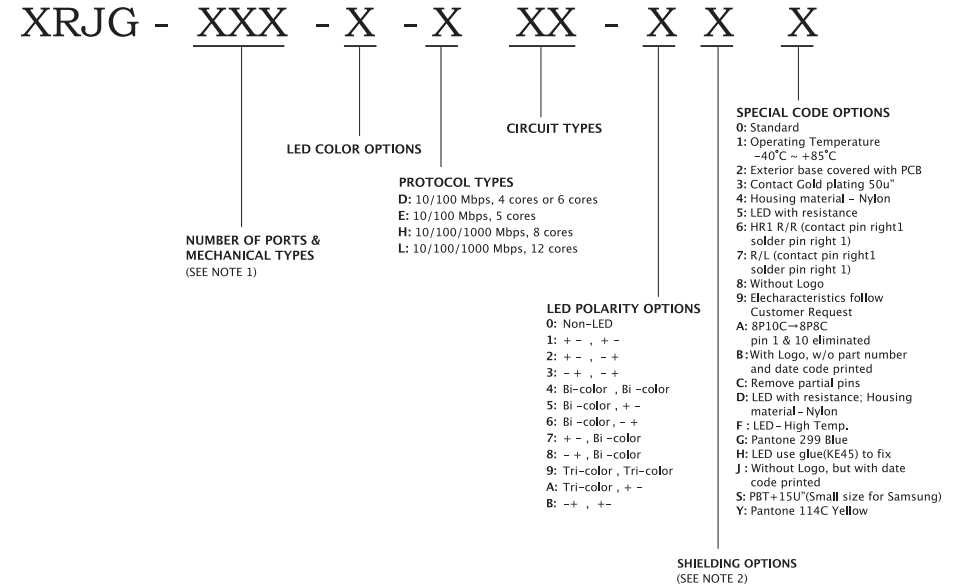
Performance Specifications	
Materials and Finish	
Housing	Thermoplastic, UL 94V-0, Color Black
Contacts	Phosphor bronze plated with hard gold (optional) and Tin in solder area
Shielding	SUS or Brass Nickel plating
Operating Temperature	0°C ~ 70°C
Storage Temperature	-40°C ~ 85°C
Mechanical Characteristics	
Durability	500 Mating Cycles
Mating Force	5 Pounds Max.
Unmating Force	5 Pounds Max.
Electrical Characteristics	
Current Rating	1.5 A Max.
Voltage Rating	150 VAC Max.
Insulation Resistance	500 MΩ Min.
Dielectric Withstanding Voltage	AC 1KVrms at 60Hz, 1 minute between adjacent contacts
Termination Resistance	40mΩ Max. Initial 50mΩ Max. Final

W/Integrated+10/100 or Gigabit LAN Magnetics
Features and Benefits

- Tab down RJ45 with internal LAN magnetics
- Suitable for CAT5 & 6 Fast Ethernet Cable or better UTP
- Internal magnetics are 100% electrically tested for HI-POT and functionality

Electrical and Performance Summary

- Internal magnetics options available
- Meet or exceed IEEE 802.3 and IEEE802.3ab standard
- 350 μH minimum OCL with 8mA bias current
- High performance for maximum EMI suppression
- Minimum 1500Vrms isolation per IEEE 802.3 requirements
- Options: 1, 2 and 4 ports

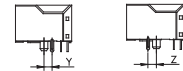
Part Numbering:


**Mechanical Type: 01A & 01S
01J & 01K**

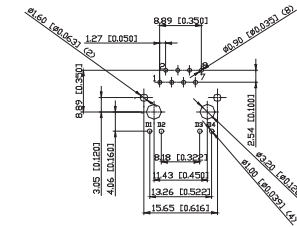
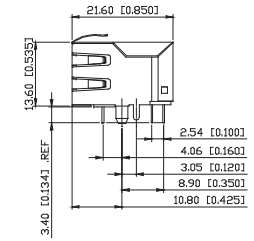
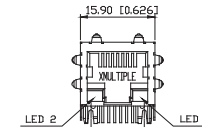
Note 1:

- 01A: 1 port for XRJF or XRJG w/Horizontal LED pins(Modular)
- 01S: XRJG 1 port w/Oblique LED pins(Modular)
- 01J: 1 port for XRJF or XRJG w/Horizontal LED pins
- 01K: XRJG 1 port w/Oblique LED pins
- 02J: 2 ports for XRJF or XRJG
- 04A: 4 ports for XRJF or XRJG (Modular)
- 04J: 4 ports for XRJF or XRJG

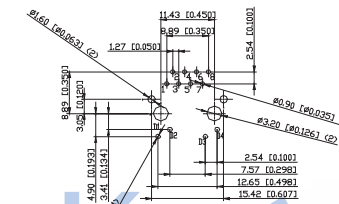
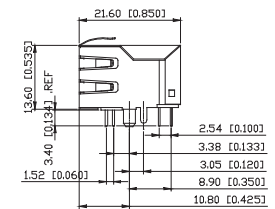
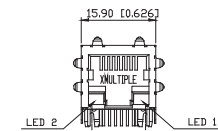
Note 2:



- 0: Unshielded
- 1: Y=3.05, EMI fingers on all sides
- 2: Y=3.05, Non-EMI fingers
- 3: Z=3.65, EMI fingers on all sides
- 4: Z=3.65, Non-EMI fingers
- 5: Z=3.05, EMI fingers on all sides
- 6: Z=3.05, Non-EMI fingers
- 7: EMI fingers on all sides
- 8: Non-EMI fingers
- 9: 4 Ports w/2 Tabs, Y=3.05, EMI fingers on all sides
- A: 4 Ports w/3 Tabs, Y=3.05, EMI fingers on all sides
- B: 4 Ports w/3 Tabs, Z=3.65, EMI fingers on all sides
- C: 4 Ports w/3 Tabs, Z=3.65mm, Non-EMI fingers
- D: 4 Ports w/o Tabs, Y=3.05, EMI fingers on all sides
- E: 4 Ports w/3 Tabs, w/o Grounding, EMI finger on all sides
- G: Y=3.05, EMI fingers on top side
- H: EMI fingers on top side
- I: 4 Ports w/3 Tabs, Y=3.05, EMI fingers on top side
- J: 4 Ports w/o Tabs, Z=3.68, Non-EMI fingers
- K: 4 Ports w/3 Tabs, Y=3.05, Non-EMI fingers
- L: 4 Ports w/2 Tabs, Y=3.05, Non-EMI fingers
- M: 4 Ports w/3 Tabs, Z=3.05, Non-EMI fingers
- N: 4 Ports w/o Tabs, Y=3.05, Non-EMI fingers



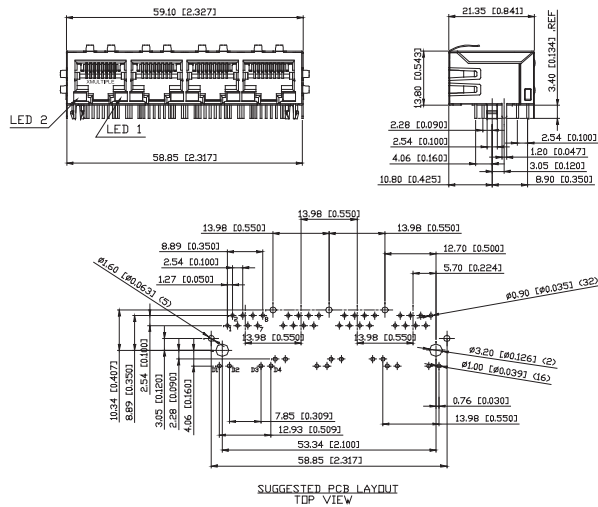
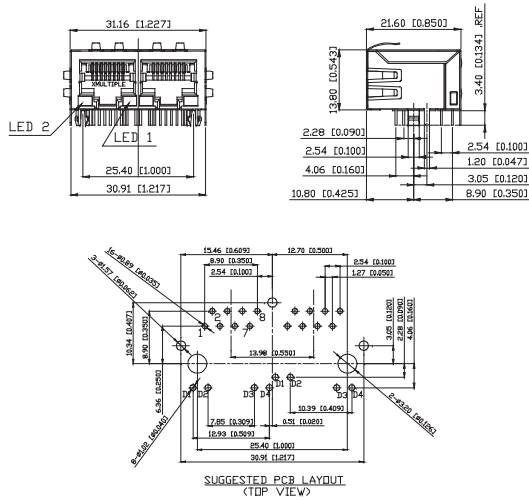
SUGGESTED PCB LAYOUT (TOP VIEW)



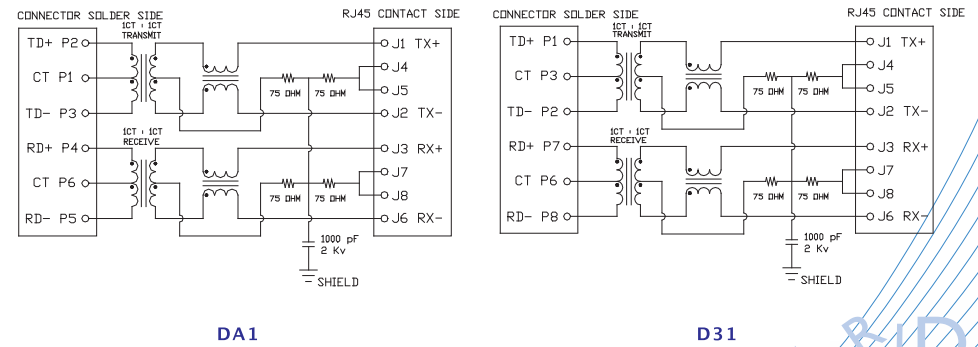
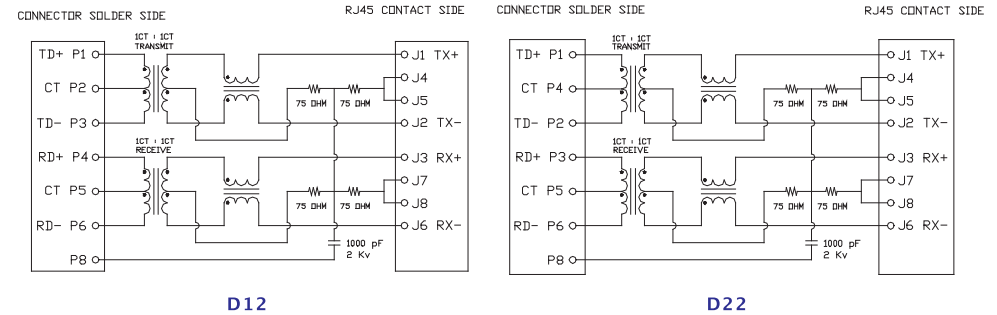
SUGGESTED PCB LAYOUT (TOP VIEW)

The above dimensions are for references only and are not to be used for design work. Please contact our sales people for the specification drawing for your application.

Mechanical Type: 02J & 04A

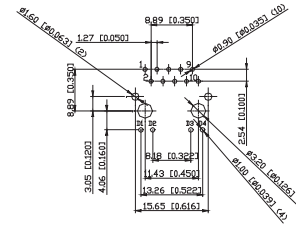
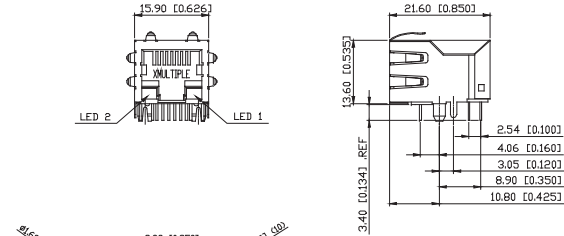
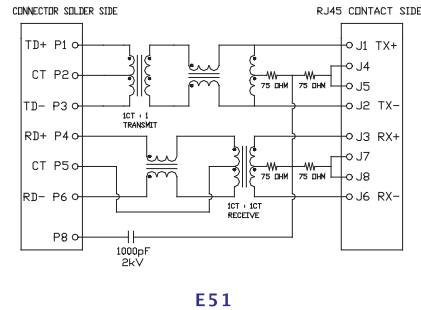
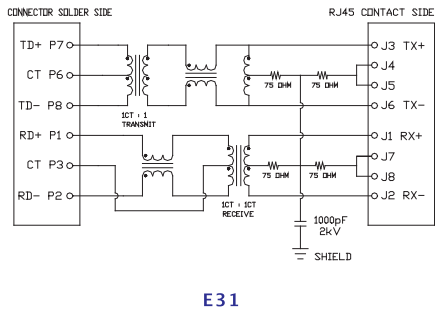
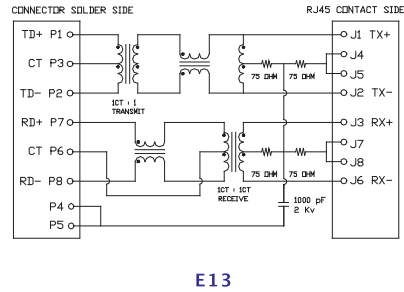
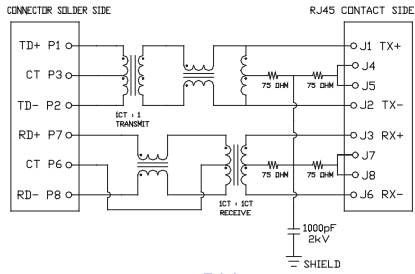


The above dimensions are for references only and are not to be used for design work. Please contact our sales people for the specification drawing for your application.

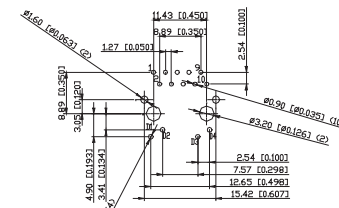
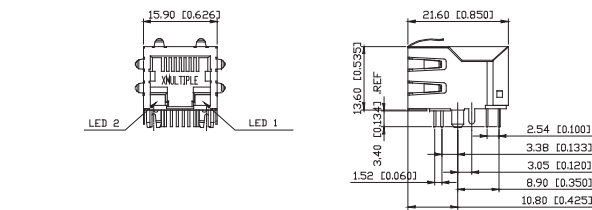


The above dimensions are for references only and are not to be used for design work. Please contact our sales people for the specification drawing for your application.

Mechanical Type: 01A, 01S
01J & 01K



SUGGESTED PCB LAYOUT (TOP VIEW)

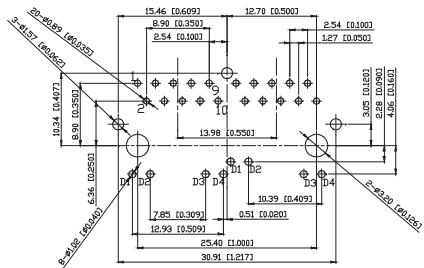
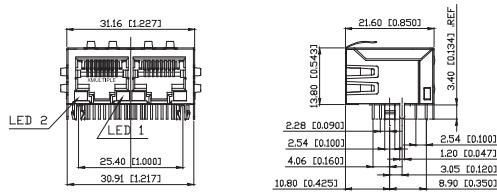


SUGGESTED PCB LAYOUT (TOP VIEW)

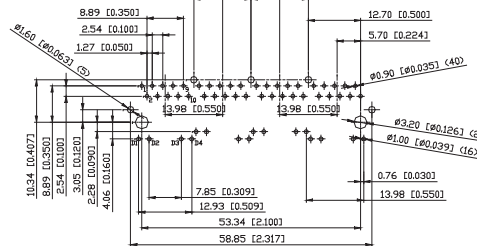
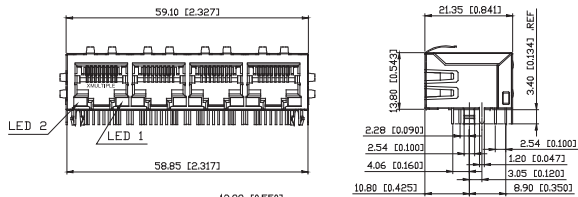
The above dimensions are for references only and are not to be used for design work. Please contact our sales people for the specification drawing for your application.

The above dimensions are for references only and are not to be used for design work. Please contact our sales people for the specification drawing for your application.

Mechanical Type: 02J & 04J

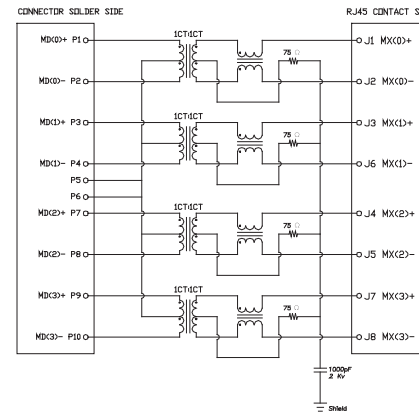


SUGGESTED PCB LAYOUT (TOP VIEW)

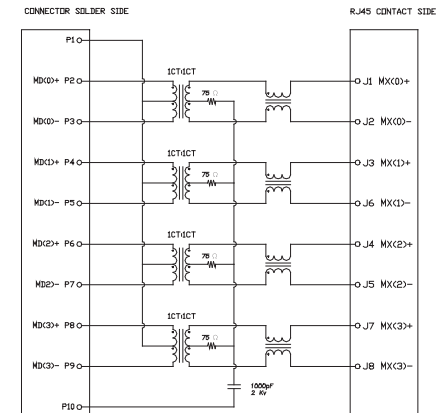


SUGGESTED PCB LAYOUT TOP VIEW

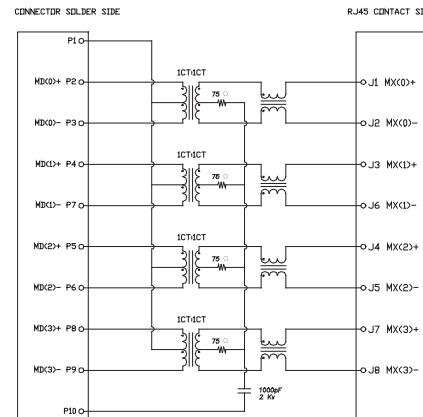
The above dimensions are for references only and are not to be used for design work. Please contact our sales people for the specification drawing for your application.



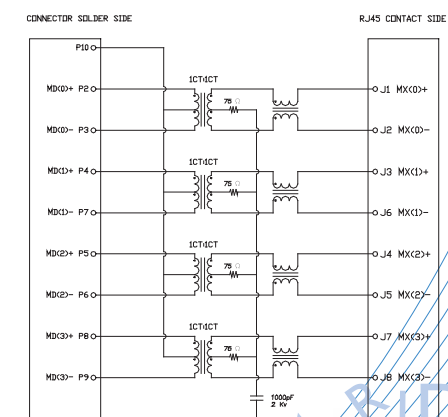
H11



H32

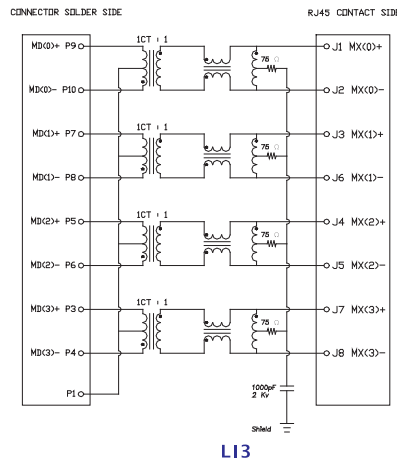
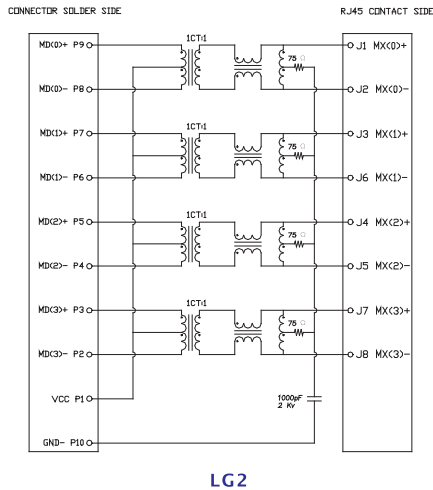
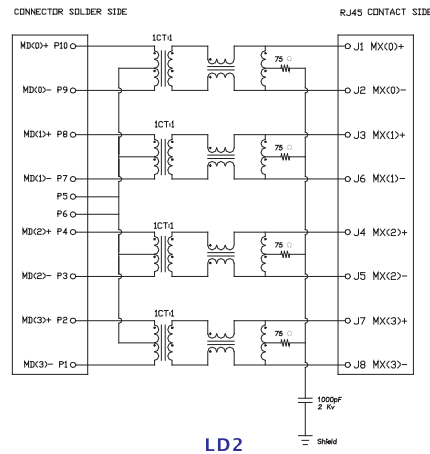
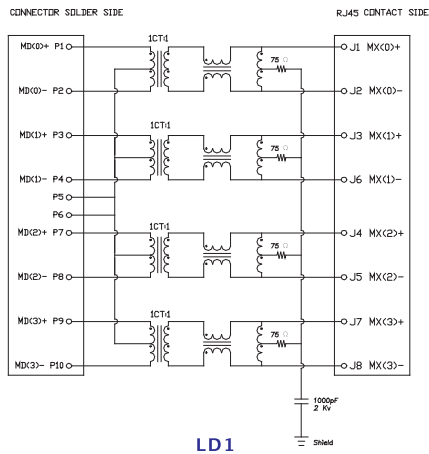


H91



H92

The above dimensions are for references only and are not to be used for design work. Please contact our sales people for the specification drawing for your application.



Performance Specifications	
Materials and Finish	
Housing	Thermoplastic, UL 94V-0, Color Black
Contacts	Phosphor bronze plated with hard gold(optional) and Tin in solder area
Shielding	SUS or Brass Nickel plating
Operating Temperature	0°C~70°C
Storage Temperature	-40°C~85°C
Mechanical Characteristics	
Durability	500 Mating Cycles
Mating Force	5 Pounds Max.
Unmating Force	5 Pounds Max.
Electrical Characteristics	
Current Rating	1.5 A Max.
Voltage Rating	150 VAC Max.
Insulation Resistance	500 MΩ Min.
Dielectric Withstanding Voltage	AC 1KVrms at 60Hz, 1 minute between adjacent contacts
Termination Resistance	40mΩ Max. Initial 50mΩ Max. Final

Features and Benefits	
RJ45 with LED internal LAN magnetics	
Staggered and vertical signal pin versions available	
Suitable for CAT5 & 6 Fast Ethernet Cable or better UTP	
Internal magnetics are 100% electrically tested for HI-POT and functionality	
Electrical and Performance Summary	
Internal magnetics options available	
Meets or exceeds IEEE 802.3 and IEEE802.3ab standard	
350 μH minimum OCL with 8mA bias current	
High performance for maximum EMI suppression	
Minimum 1500Vrms isolation per IEEE 802.3 requirements	
Options:1,4,2*1,2*2,2*4,2*6 and 2*8 ports	