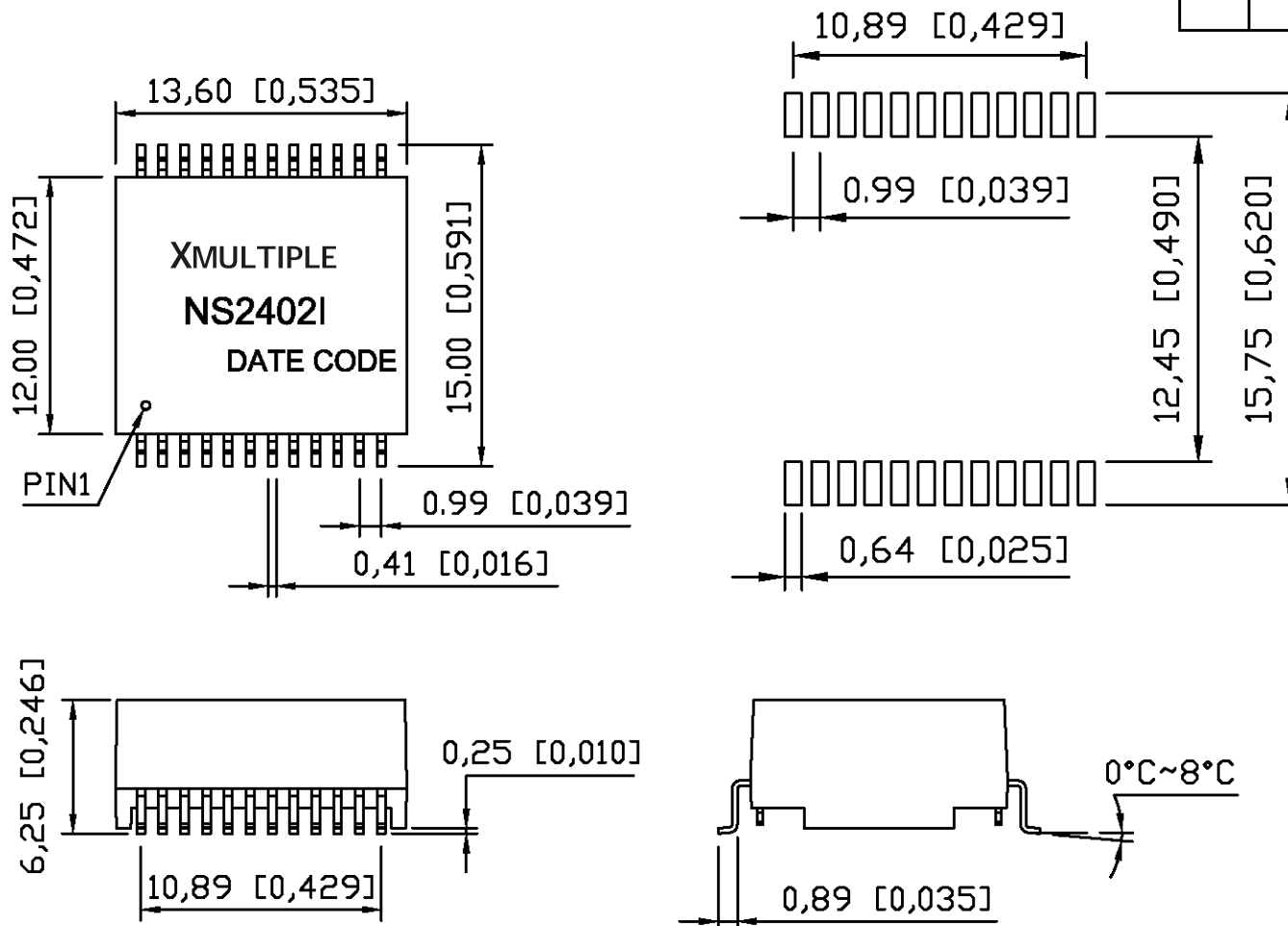


# 1. MECHANICAL DIMENSIONS :

REV.	CHANGGE DESCRIPTION	DATE
01	New Issue	2011-10-6



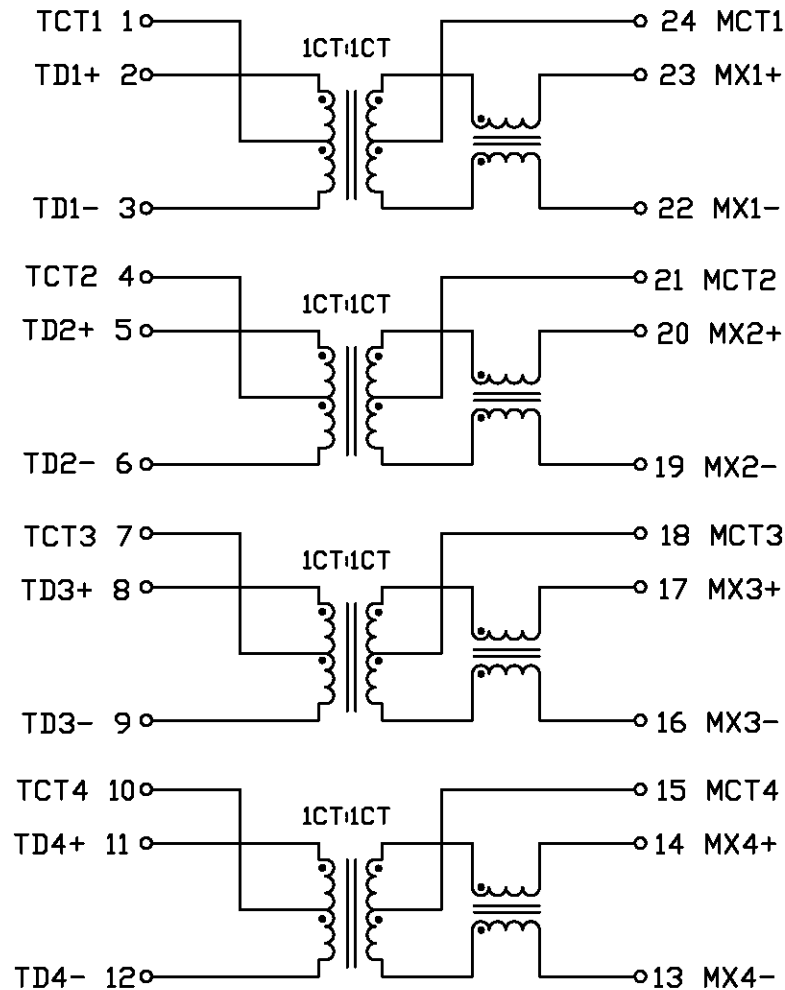
RoHS Compliant

NOTE. DIMENSIONS<MM(INCHES)>/UNLESS OTHERWISE SPECIFIED ALL TOLERANCES ARE ±0.25(0.010).

XMULTIPLE	A4 SIZE	PART NO.:	VENDOR PART NO.:		Drawn:	Rita	
		XF-NS2402I			Designed:	Evan	
	THIRD ANGLE PROJECTION	DESCRIPTION:	UNIT	USED ON	Approved:	Paul Li	
		10G BASE-T TRANSFORMER MODULES	mm[inch]		Date:	2011-10-6	
		SHEET	1	OF	2	REV.	01

REV.	CHANGGE DESCRIPTION	DATE
01	New Issue	2011-10-6

## 2. SCHEMATIC:



## 3. ELECTRICAL CHARACTERISTICS :

TEST NOTES:( $25^{\circ}\pm 5^{\circ}\text{C}$ )

- TR:(100KHz,0.1V); 100%

PINS:(2,3)<(23,22)= $1:1\pm 3\%$ ; (5,6)<(20,19)= $1:1\pm 3\%$

PINS:(8,9)<(17,16)= $1:1\pm 3\%$ ; (11,12)<(14,13)= $1:1\pm 3\%$
- LX:(100KHz,0.1V) 100%

PINS:(2,3),(5,6),(8,9),(11,12)= $140\pm 40\mu\text{H}$
- DCR: 100%

PINS:(23,22),(20,19),(17,16),(14,13)= $0.8\Omega$  MAXIMUM
- HIPOT: 100%

PINS(2,1,3)TD(23,24,22),(5,4,6)TD(20,21,19)=1500VAC FOR 60 SECONDS

PINS(8,7,9)TD(17,18,16),(11,10,12)TD(14,15,13)=1500VAC FOR 60 SECONDS
- INSERTION LOSS:

  - 1.0dB Max AT 1MHz TO 50MHz
  - 1.5dB Max AT 50MHz TO 200MHz
  - 2.0dB Max AT 200MHz TO 400MHz
  - 3.0dB Max AT 400MHz TO 500MHz
- RETURN LOSS:

  - 18dB Min AT 1MHz
  - 13dB Min AT 2MHz TO 100MHz
  - 10dB Min AT 100MHz TO 200MHz
  - 7dB Min AT 200MHz TO 400MHz
  - 6dB Min AT 400MHz TO 500MHz
- Cross Talk:

  - 30dB Min AT 1MHz TO 100MHz
  - 18dB Min AT 100MHz TO 500MHz
- OPERATING TEMPERATURE  $0^{\circ}\text{C}$  TO  $70^{\circ}\text{C}$ .

RoHS Compliant

XMULTIPLE	A4 SIZE	PART NO.:	VENDOR PART NO.:		Drawn:	Rita		
		XF-NS2402I			Designed:	Evan		
	 THIRD ANGLE PROJECTION	DESCRIPTION:	UNIT	mm[inch]	USED ON	Approved:	Paul Li	
		10G BASE-T TRANSFORMER MODULES	SHEET	2	OF	2	REV.	01