



LAN Connector Product Guide

Printer Circuit Board layouts can be simplified by using connectors with integrated magnetics. Our Customers save valuable PCB space by combining the LAN components with the RJ connectors. Ethernet speeds cover a wide range with 10/100Mbps, 1 Gigabit and 10 Gigabit. Applications include Networking and Telecommunications, PoE and PoE+ configurations.



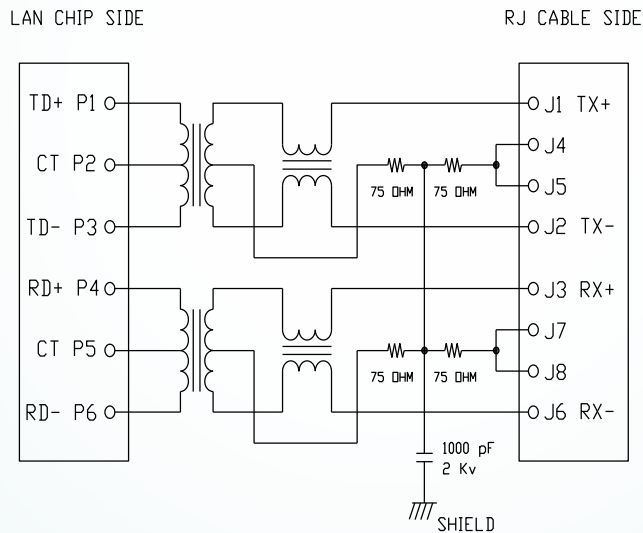
Connector with Integrated Magnetics

10/100	Gigabit	10GBASE-T
XMG-01P-1-D22-110	XMG-011-0-H71-079	XMG-011-0-S71-0P0
XMG-01Q-4-DZE-220	XMG-017-H-H71-CP0	XMG-012-0-SZA-0P0
XMG-02P-4-D12-1A0	XMG-01P-1-H33-110	XMG-02A-5-SS5-170
XMH-01E-1-D3C-171	XMG-02P-4-H6L-1A1	XMH-018-V-SZ4-670
XMH-01T-4-D41-180	XMG-04Q-4-H11-389	XMH-21A-0-SL2-080
XMH-21C-1-D18-170	XMH-01H-Y-H71-C71	XMH-24A-0-SZ5-080
-	XMH-22R-A-H6L-47V	-

Magnetic Jack Schematic Guide

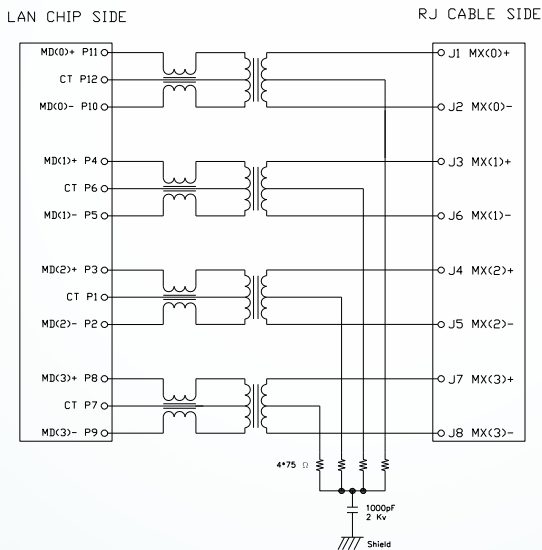
10/100 APPLICATION CIRCUIT

D11 10/100



TYPICAL GIGABIT CIRCUIT

H71 1G



TYPICAL 10GBASE-T CIRCUIT

