

XMH MAGNETIC CONNECTOR SERIES

FEATURES:

- High Performance RJ Magnetic Connectors
- Available 1x1, 1x2, 1x4, 1x6 and 1x8 Ports & Stackable 2x1, 2x2, 2x4, 2x6 and 2x8 Ports
- 10/100Mbps, 1 Gigabit or 10 Gigabit
- Through Hole Contacts
- Available with or without LEDs for Easy Viewing of Connection/Activity Status
- Max. EMI Suppression
- Hi-POT & functionality are 100% Electrically Tested
- Minimum of 750 to 1000 Insertion Cycles



ELECTRICAL AND PERFORMANCE:

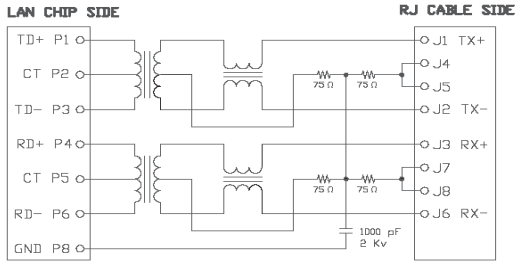
- 350uH Minimum OCL
- Meet or exceed IEEE 802.3 and IEEE 802.3ab Standard
- Minimum 1500Vrms Isolation Per 802.3 Requirements
- Tab Down and Tab Up Configurations

GENERAL SPECIFICATION:

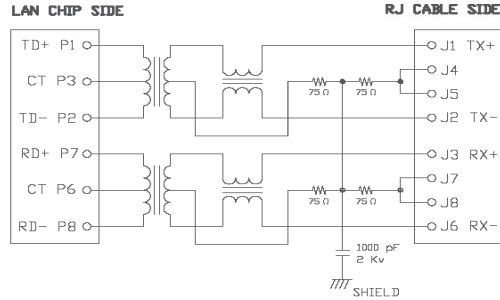
Product Type Features		Housing Related Features	
Tab Type	Tab Down and Tab Up	Material	PBT / Nylon
PCB Mount Angle	Side Entry (Right Angle)	Housing Flammability	UL 94V-0
Number of Ports	1, 2, 4, 6, 8, 12, 16	Color	Black and Optional Colors
Number of Positions	8 or 10	Contact Features	
Number of Contacts	8 or 10	Material	Phos-Bronze
PCB Mount Style	Through Hole	Contact Area Plating	Hard Gold
LED	Yes	Solder Area Plating	Tin
Transformer	Yes	Magnetic Features	
Shielding Features		Transformer Speed	10 / 100 / 1000 / 10000
Material	Copper Alloy	Dimensions (mm)	
Plating	Nickel	Length	Optional
EMI Fingers	With or Without	Width	Optional
Number of PCB Ground Tabs	Optional	Height	Optional
Ground Pin Position (mm)	Optional		

10/100 Mbps SCHEMATICS

D12 :



D31:

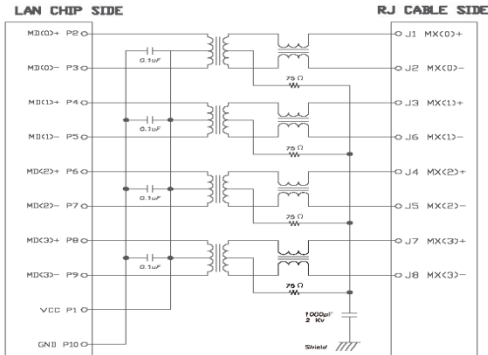


10/100 Mbps MHz Electrical Specification @25degree C

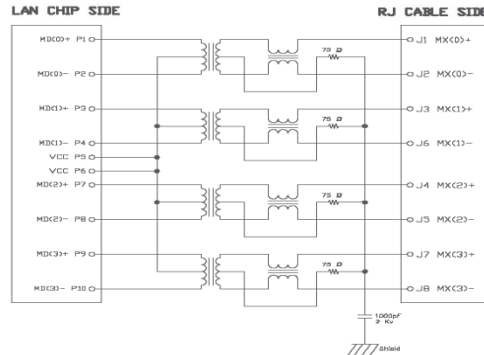
Item	TR	LX	DCR	Hi-Pot	Ins.Loss	Return Loss			Cross Talk	Com.Mode Rejection
Part Number		100KHz, 100mV	(Every RJ Pair)	Input to Output	0.3-100 MHz	1-30 MHz	30-60 MHz	60-80 MHz	1-100MHz	1-100MHz
XMH-XXX-1-D12-XXX	1:1+3%	350 uH Min	1,2ohm Max	1500VAC for 60s	-1.0dB Max	-20dB Min	-15dB Min	-10dB Min	-30dB Min	-30dB Min
XMH-XXX-1-D31-XXX	1:1+3%	350 uH Min	1,2ohm Max	1500VAC for 60s	-1.0dB Max	-20dB Min	-15dB Min	-10dB Min	-30dB Min	-30dB Min
XMH-XXX-1-D31-XXX	1:1+3%	350 uH Min	1,2ohm Max	1500VAC for 60 s	-1.0dB Max	-20dB Min	-15dB Min	-10dB Min	-30dB Min	-30dB Min

10/100/1000 Mbps SCHEMATICS:

H33:



H11:



1000 Mbps MHz Electrical Specification @25degree C

Item	TR	LX	DCR	Hi-Pot	Insertion Loss	
Part Number		100KHz, 100mV, 8mA, DC Bias	(Every RJ Pair)	Input to Output	0.3-100MHz	100-125MHz
XMH-XXX-1-H33-XXX	1:1 +3%	350 uH Min	1.2 ohm Max	1500VAC for 60s	-0.8dB Max	-1.2dB Max
XMH-XXX-1-H33-XXX	1:1 +3%	350 uH Min	1.2 ohm Max	1500VAC for 60s	-0.8dB Max	-1.2dB Max
XMH-XXX-1-H11-XXX						
		<u>Common Mode Rejection</u>		<u>Return Loss</u>	<u>Cross Talk</u>	
		300-100MHz	1-10 MHz	30-60 MHz	60-100 MHz	1-10 MHz
		-30dB Min	-20dB Min	-16dB Min	-12dB Min	-40dB Min
		-30dB Min	-20dB Min	-16dB Min	-12dB Min	-35dB Min
						-30dB Min

Note: 10GB Datasheet References 10GB Schematics & Electrical Specifications.