

## XRJB/XMB RJ45/USB CONNECTORS

### FEATURES:

- RJ45 and USB Combo Connectors
- Available with 1 or 2 USB
- Through Hole Contacts
- Available with or without LEDs for Easy Viewing of Connection/Activity Status
- Optional USB 2.0 or USB 3.0 Compliance
- Available in Shield or Unshielded
- Minimum of 750 to 1000 Insertion Cycles
- Applications Include: Desktop PC, Server, Hub, Switch, LCD TV, STB, Amplifier, AV Center, POS, Printer, Projector, Camera Systems



### GENERAL SPECIFICATION:

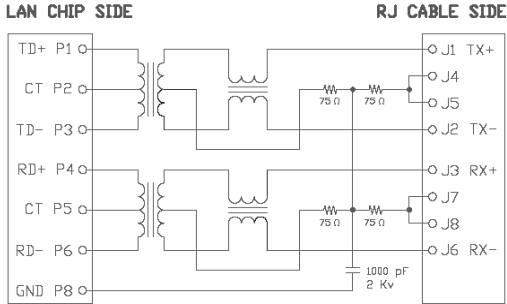
Product Type Features		Housing Related Features	
Tab Type	Tab Up	Material	PBT / Nylon / LCP
PCB Mount Angle	Side Entry (Right Angle)	Housing Flammability	UL 94V-0
Number of Ports	Optional	Color	Optional
Number of Positions	8	Contact Features	
Number of Contacts	Optional	Material	Phos-Bronze
PCB Mount Style	Through Hole	Contact Area Plating	Hard Gold
LED	With or Without	Solder Area Plating	Tin/Gold Flash
Transformer	With and Without	Magnetic Features	
Shielding Features		Transformer Speed	10/100/1000 Mbps
Material	Copper Alloy / SUS		
Plating	Nickel		
EMI Fingers	With or Without		
Number of PCB Ground Tabs	Optional		
Ground Pin Position (mm)	Optional		

### ORDERING INFORMATION:

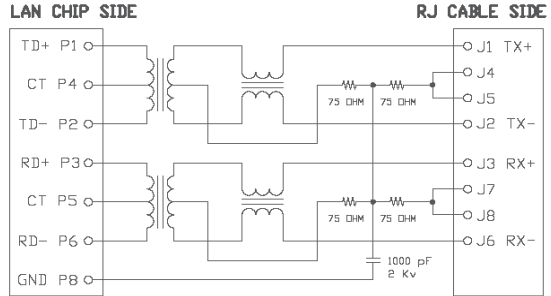
PART NO. X	PORT NO. X	Length X	Width X	Height X
XRJB/XMB-G6-88-X	1 RJ / 1 USB Port	Optional	Optional	Optional
XRJB/XMB-G7-88-X	1 RJ / 2 USB Port	Optional	Optional	Optional
XRJB/XMB-H67-8-8-X	1 RJ / 1 USB Type B Port	Optional	Optional	Optional

## 10/100 Mbps SCHEMATICS

### D12:



### D22:

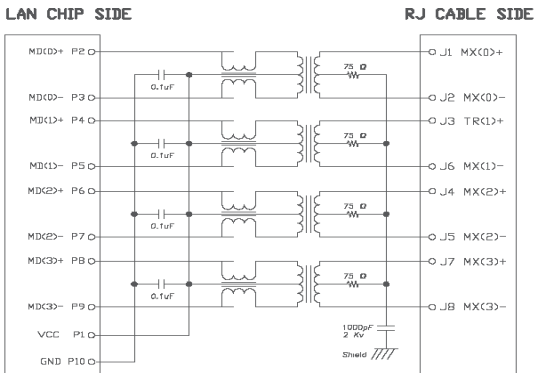


10/100 Mbps MHz Electrical Specification @25degree C

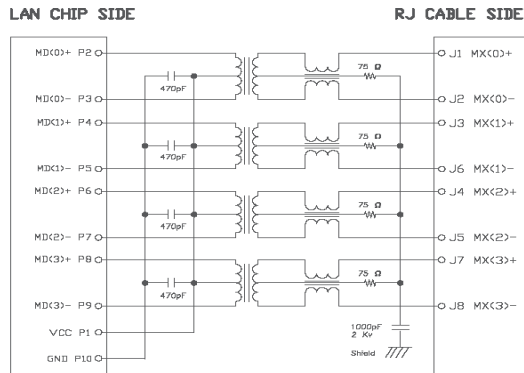
Item	TR	LX	DCR	Hi-Pot	Ins.Loss	Return Loss			Cross Talk	Com.Mode Rejection
Part Number		100KHz, 100mV	(Every RJ Pair)	Input to Output	0.3-100 MHz	1-30 MHz	30-60 MHz	60-80 MHz	1-100MHz	1-100MHz
XRJB/XMB-G6-88-X	1:1+3%	350 uH Min	1,2ohm Max	1500VAC for 60s	-1.0dB Max	-20dB Min	-15dB Min	-10dB Min	-30dB Min	-30dB Min
XRJB/XMB-G7-88-X	1:1+3%	350 uH Min	1,2ohm Max	1500VAC for 60s	-1.0dB Max	-20dB Min	-15dB Min	-10dB Min	-30dB Min	-30dB Min
XRJB/XMB-HXX-X-X-X	1:1+3%	350 uH Min	1,2ohm Max	1500VAC for 60 s	-1.0dB Max	-20dB Min	-15dB Min	-10dB Min	-30dB Min	-30dB Min

## 10/100/1000 Mbps SCHEMATICS:

### H23:



### H3K:



1000 Mbps MHz Electrical Specification @25degree C

Item	TR	LX	DCR	Hi-Pot	Insertion Loss	
Part Number		100KHz, 100mV, 8mA, DC Bias	(Every RJ Pair)	Input to Output	0.3-100MHz	100-125MHz
XRJB/XMB-G6-88-X	1:1+3%	350 uH Min	1.2 ohm Max	1500VAC for 60s	-0.8dB Max	-1.2dB Max
	1:1+3%	350 uH Min	1.2 ohm Max	1500VAC for 60s	-0.8dB Max	-1.2dB Max
		<b>Common Mode Rejection</b>		<b>Return Loss</b>	<b>Cross Talk</b>	
XRJBXMB-G7-88-X		300-100MHz	1-10 MHz	30-60 MHz	60-100 MHz	1-10 MHz
XRJB/XMB-HXX-XXX-X		-30dB Min	-20dB Min	-16dB Min	-12dB Min	-40dB Min
						-35dB Min
						-30dB Min

Note: 10GB Datasheet References 10GB Schematics & Electrical Specifications.