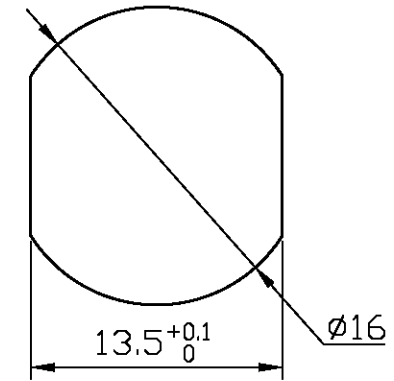
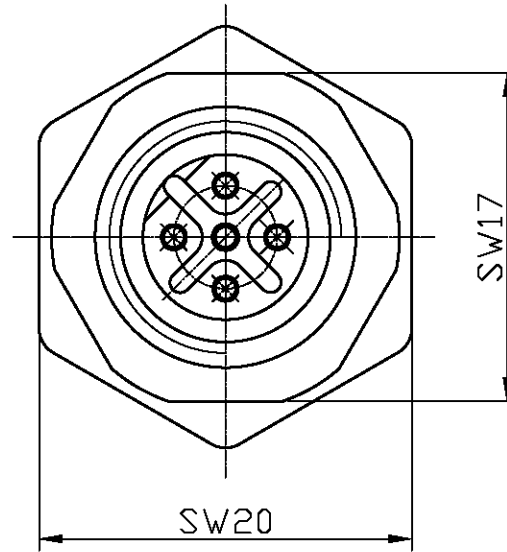
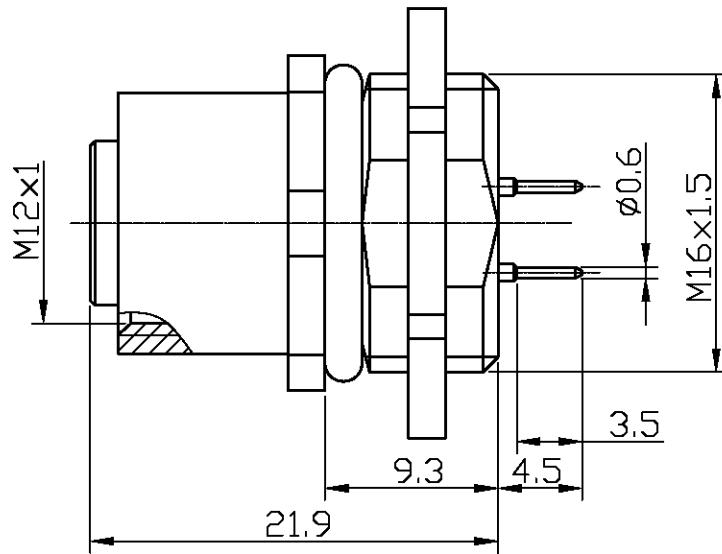


Rev.	Description	Date	Approved by



PANEL CUT OUT

Notes:

1. Materials and finishes
 - 1.1 contact: phospho bronze alloy, gold plated;
 - 1.2 insulator: thermoplastic (black);
 - 1.3 shell: brass nickel plated 200".
2. Electrical
 - 2.1 rated voltage: 250V(dc.);
 - 2.2 rated impulse withstand voltage: 1400v;
 - 2.3 insulation resistance: 10¹² ohm(min);
 - 2.4 current rating: 4.1 A / 40° ;
 - 2.5 contact resistance: 10mohm(max).
3. Mechanical:
 - 3.1 coupling style: threaded;
 - 3.2 IP-degree: IP67;
4. Climatiques
 - temperature rang: -40° ~85° ;
5. Conform to IEC 61076-2-101

5			
4			
3			
2			
1			
ITEM	P/N	DESCRIPTION	QTY

TOLERANCES UNLESS OTHERWISE SPECIFIED		XMULTIPLE TECHNOLOGIES, INC.			
.0	±0.15	DESCRIPTION	M12 A-CODE FRONT MOUNTING FEMALE RECEPTACLE		
.00	±0.10	DRAWN BY:	SURFACE TEXTURE:		UNIT: mm
.000	±0.05	CHECKED BY:	SCALE	PROJECTION	REV. V0.0
0	±2.00	APPROVED BY:	P/N	XA12-M2	SHEET: 1/1
.0	±1.00	DATE			