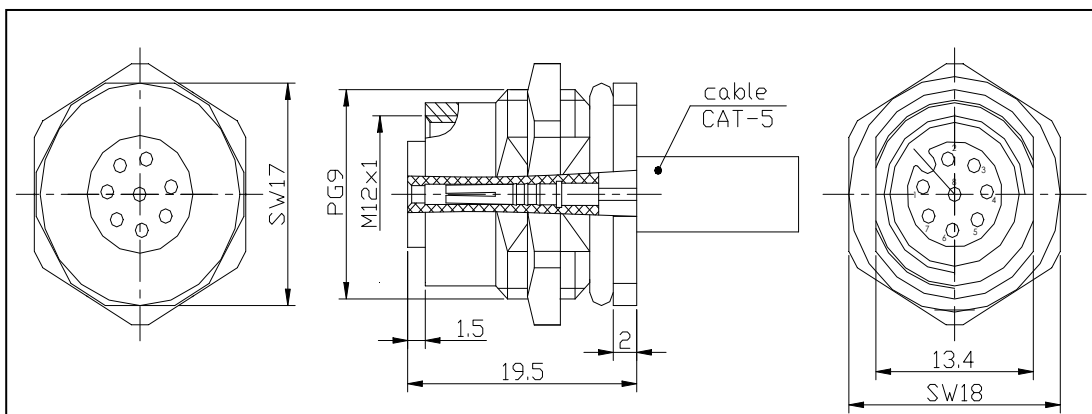


Xmultiple P/N: XM12-GT32-M12A-8C-GAR

Description:

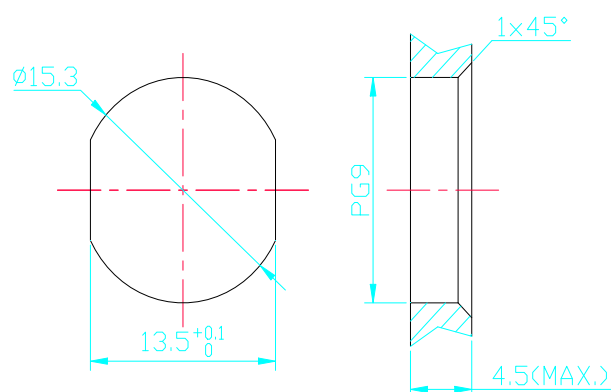
M12 A-CODE CONNECTOR, REAR MOUNTING, FEMALE SOCKET, 8PIN, CONNECTING WITH CABLE.

一. Drawing



1	2	3	4	5	6	7	8
white/orange	orange	white/green	blue	white/blue	green	white/brown	brown

二. Panel Cutout



三. Technical data

1. Materials and finishes

Contact	bronze alloy, gold plated
Insulator	PA(black)
Shell	brass, nickel plated.

2. Common values

Termination	crimp
Temperature range	-25°C~85°C
Wire gauge(mm ²)	0.2~0.34

3. Electrical values

Rated voltage	60V
Rated impulse voltage	800V
Current rating	2A(40°C)
Contact resistance	≤3mΩ
IP-degree	IP68
Mechanic operation	> 100 mating cycles