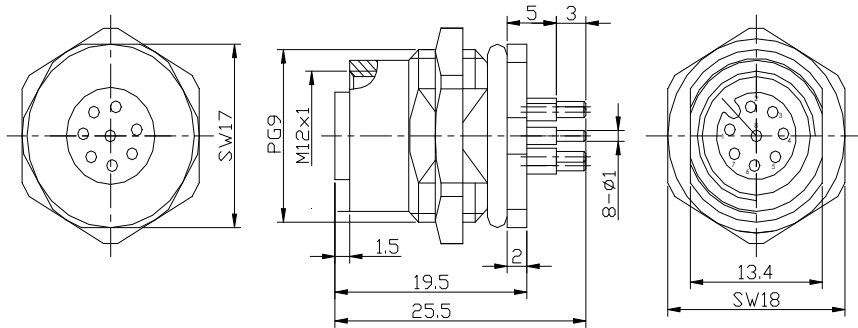


# Xmultiple P/N: XM12-GT32-M12A-8P-GAR

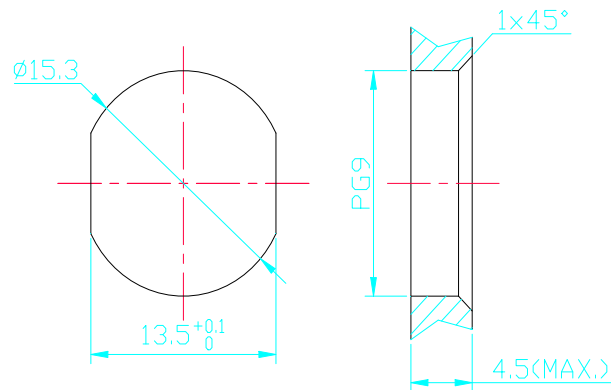
## Description:

M12 A-CODE CONNECTOR, REAR MOUNTING, FEMALE SOCKET, 8PIN, CONNECTING WITH WELDING PLATE.

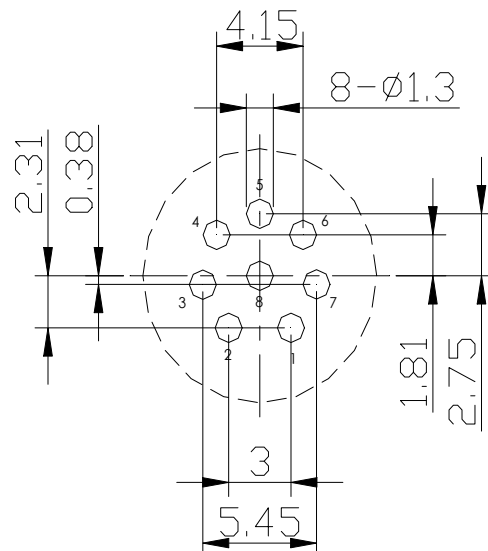
## 一. Drawing



## 二. Panel Cutout



## 三. PCB HOLE PATTERN



### ≡.Technical data

#### 1.Materials and finishes

Contact	bronze alloy,gold plated
Insulator	PA(black)
Shell	brass, nickel plated.

#### 2.Common values

Termination	solder
Temperature range	-40°C~85°C

#### 3.Electrical values

Rated voltage	60V
Rated impulse voltage	800V
Current rating	2A(40°C)
Contact resistance	≤3mΩ
IP-dgree	IP68
Mechanic operation	> 100 mating cycles

2014.4.14