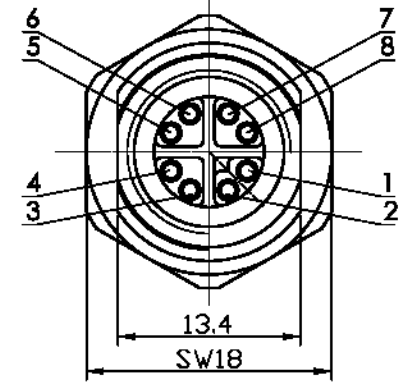
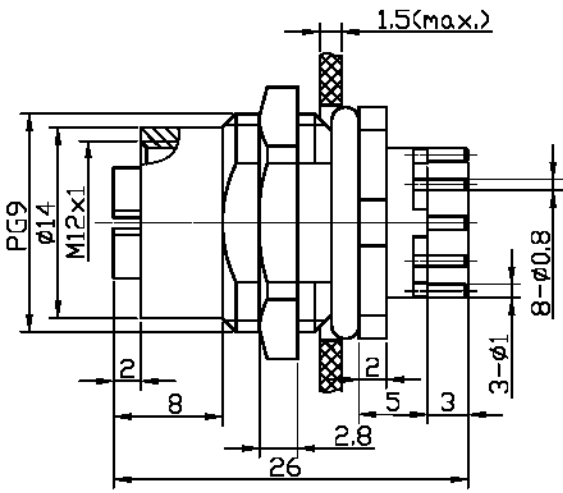
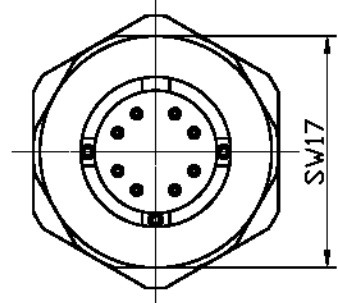
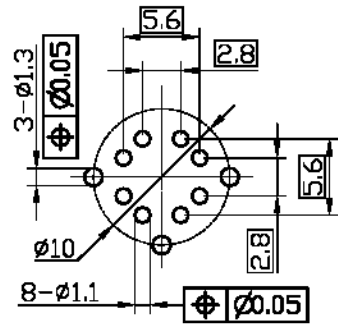


Rev.	Description	Date	Approved by

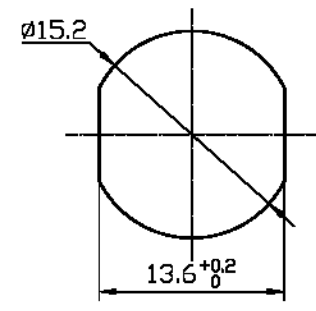
3D MODEL



PCB HOLE PATTERN



PANEL CUT OUT



Notes:

1. Materials and finishes
 - 1.1 contact: phospho bronze alloy, nickel over gold plated;
 - 1.2 insulator: thermoplastic (black);
 - 1.3 shell: brass nickel plated.
2. Electrical
 - 2.1 rated voltage: 48V(dc.);
 - 2.2 insulation resistance: 100Mohm(min);
 - 2.3 current rating: 50m A / 40° ;
 - 2.4 contact resistance: 10mohm(max).
3. Mechanical:
 - 3.1 coupling style: threaded;
 - 3.2 IP-degree: IP67, in mated condition;
 - 3.3 mating cycles: 100(min.)
4. Climatiques
 - temperature rang: -40° ~90° ;
5. Conform to IEC 61076-2-109
6. Installation specfaction:
 - torque: 0.8~1Nm

5			
4			
3			
2			
1			
ITEM	P/N	DESCRIPTION	QTY

TOLERANCES UNLESS OTHERWISE SPECIFIED				XMULTIPLE TECHNOLOGIES, INC.			
.0	±0.15	DESCRIPTION		M12 X-CODE FRONT MOUNTING FEMALE RECEPTACLE			
.00	±0.10	DRAWN BY: Andy		DATE: 24/09/18		UNIT: mm	
.000	±0.05	CHECKED BY:		SCALE:		PROJECTION	
σ	±2.00	APPROVED BY:		P/N:		REV. V2.0	
.0	±1.00					SHEET: 1/1	