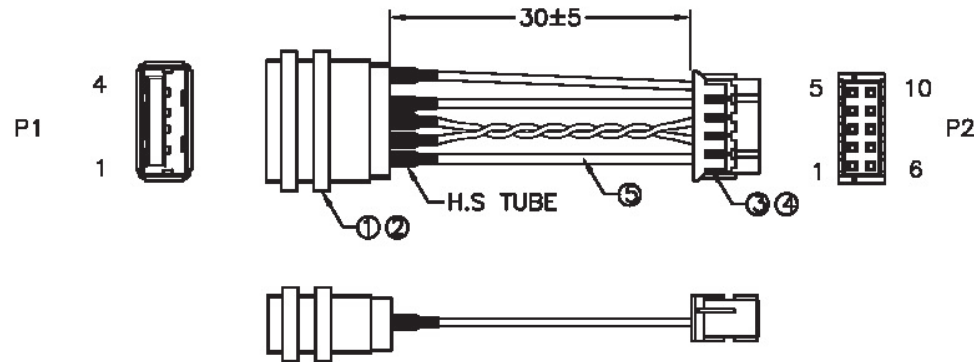


ALL MATERIALS CONFORM TO THE REACH COMPLIANCE.



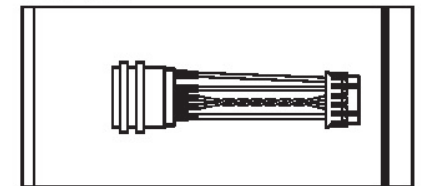
REV.	R.S. No.	DESCRIPTION	DATE



PIN	P1	OUT:	P2
1	Red(24awg)	1	1
2	white(24awg)	2	2
3	green(24awg)	3	3
4	black(24awg)	4	4
	shell	blue	5

(PHDR-10 Pin6~10 NC.)

PAGE LINT:
PER PC PER PE 3MM



5	WIRE	UL1007 24AWG WIRE	1PCS
4	TER.	PH2.0 TERMINAL OR EQ.	5PCS
3	HOUSING	PHDR-10 2.0MM 10PIN HOUSING OR EQ.	1PCS
2	PVC	BLACK PVC MOLDING	XG
1	USB SOCKET	USB 4PIN FEMALE +SHELL MOLDING TYPE WHITE INSULATION	1PCS
ITEM	DESCRIPTION		Q'TY

DRAWN	DATE
<i>Jack</i>	04/24-2013
CHECKED	DATE
<i>Alice</i>	04/24-2013
CUSTOMER APPROVED	DATE

Xmultiple Technologies, Inc.				PAGE	1 OF 1
				REVISION	A
USB 4P FEMALE/SHELL TO PH2.0 5PIN Cable Ass'y L=30MM				CUSTOMER P/N	
				Cabling P/N	43-03519-00-02
UNIT	MM	SCALE	FREE		

1
2
3
4
5

1
2
3
4
5

A B C D E