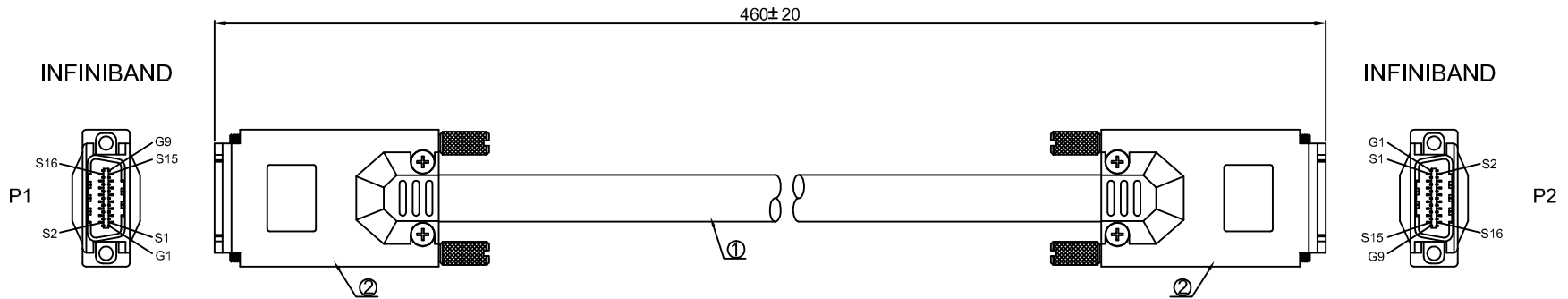
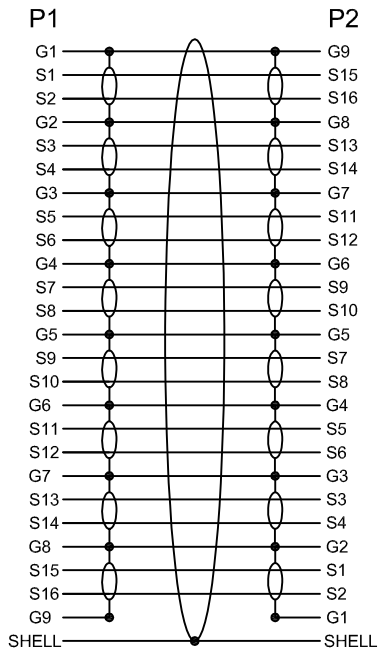


RoHS COMPLIANT

DESCRIPTION CONTROL			
REV	DESC	DATE	APP
A	FIRST RELEASE	2013/04/29	



PIN ASSIGNMENT



NOTES:
 1. PIN ASSIGNMENT SEE TO WIRE LIST.
 2. ELECTRICAL TEST CONDITION:
 (a). 100% OPEN, SHORT & MISWIRE TEST,
 (b). INSULATOR RESISTANCE: 20 Mohm MIN.
 DC 300V 0.01sec,
 (c). CONTACT RESISTANCE: 1 ohm MAX.

ITEM	QTY	PART NUMBER	DESCRIPTION
2	2	A0616	INFINIBAND CONNECTOR, 4x MALE, WITH METAL SHELL AND SCREW.
1	1	E0998	(28AWG*2C+D+AM+HM)*8PCS+F+AM+BRAID, BLACK PVC JACKET, OD:9.6MM, UL20379.

UNIT	mm	Projection		Xmultiple Technologies, Inc.			
DRAWN	<i>Yi jian</i>	SCALE	FREE	TITLE			
CHECK, BY		REV	A	INFINIBAND 4X MALE TO MALE			
APP, BY		DATE	2013/04/29	TOLERANCES			
DWG NO.	SE-S-0076			X.= ±	.X= ±	.XX= ±	.XXX= ±
PART NO.	XCAB-SE-S-0076-AVY			SHEET	1/2	SIZE	A4