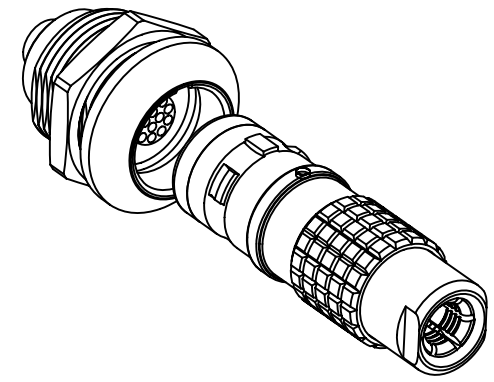
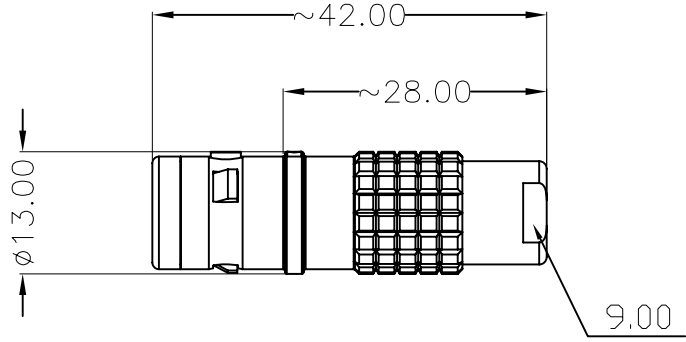
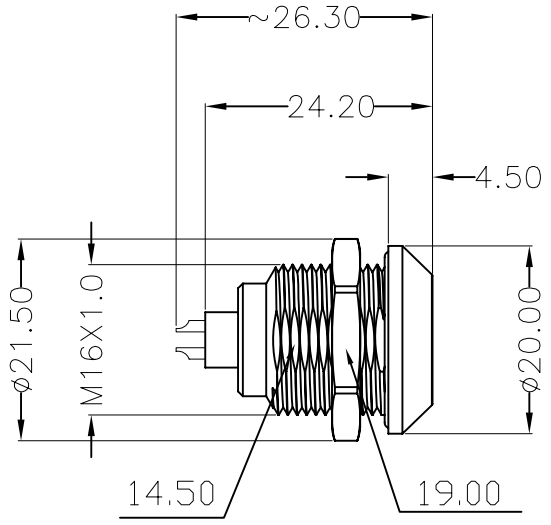


Surface Roughness	ALL <input checked="" type="checkbox"/>	
Unmarked Tolerances	Ref Bottom left standard	
Surface Treatment	Galvanic	Self-Protecting
	Passive	Other plating Brush clean finish

Version	Change Desc (Mark)	Change Date	Signature	Approved

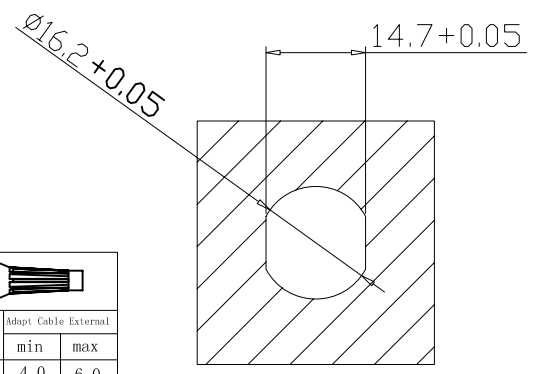


Technical Parameter:

Model NO	1K	
Pore Spaces With Insulation	8P	
Contact Diameter mm	0.7	
Contact Resistance mΩ	7.5	
Working Current A	5	
Working Voltage	V/DC	1150
	V/AC	800
Test Voltage	V/DC	1300
	V/AC	950

Variable Parameter			
Collet			
Type	Code	No.	Part Name
1K	D	4.0to6.0	Adapt Cable External
		Z	Band Ref Test
			min max
			4.0 6.0

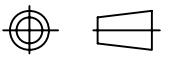
Panel Cut Out



Mechanical and climatical:

1. Durability test: >5000 circles;
2. Constant temperature and humidity test: up to 95% at 60° C;
3. Temperature change test: -45° C, +125° C;
4. Sine vibration test: 10-2000Hz, 15g;
5. Shock resistance: 100g, 6ms;
6. Salt fog test (NSS): >144h;
7. Protection index (mated): IP65~IP68;
8. Approved by RoHS.

DEG DIM	ANGLE				设计 DESIGNED	名称 PART NAME	材料 MATERIAL	质量	单位	比例	标记
	A	B	C	D				CHECKED	Circular Push-pull self-latching Connector (Front panel mounted)	QUALITY	UNIT
0-5	±0.02	±0.05	±0.10	0° -30°	±0.1°	审核	EX08-1K	CU+PPS	mm	1:1	REV
5-10	±0.05	±0.10	±0.15	31° -60°	±0.3°	APPROVED	YGG. 1K. 08. CLAC50	Xmultiple Technologies Inc.			
10-50	±0.10	±0.15	±0.20	61° -90°	±0.5°		SGG. 1K. 08. CLL				
50-100	±0.15	±0.20	±0.25								
100-	±0.15%	±0.20%	±0.25%								



A4