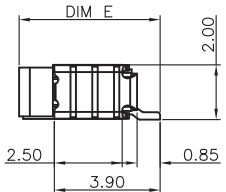
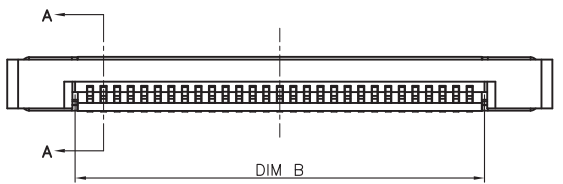


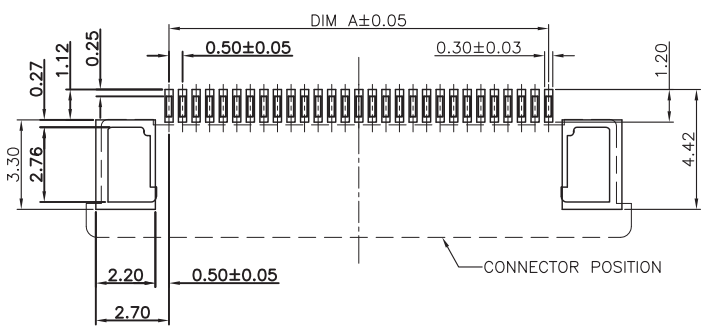
SECTION A-A  
SCALE 1:1



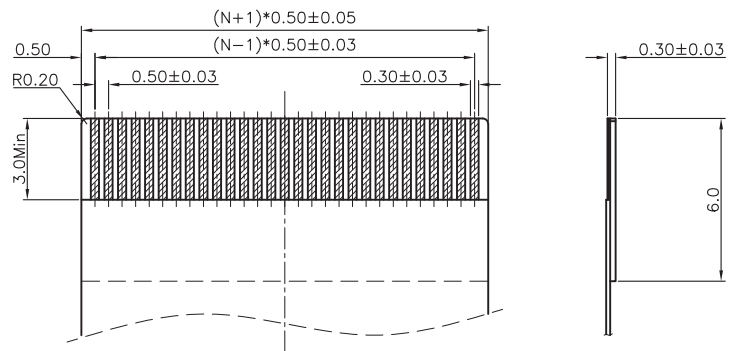
**RoHS  
Compliant**

**Note:**  
 1. Material:  
 Housing: Thermoplastic High Temp.UL94V-0;  
 Color: Natural.  
 Latch: Thermoplastic High Temp.UL94V-0;  
 Color: Black.  
 Terminal: Copper Alloy.  
 Fitting Nail: Copper Alloy.  
 2. Finish:  
 Terminal: Matt Tin/Gold Flash overall.  
 Fitting Nail: Matt Tin overall.  
 3. Electrical Characteristics:  
 Current rating: 0.4A AC/DC  
 Voltage rating: 50V AC/DC  
 Temperature range: -25°C~+85°C  
 Withstand Voltage: 250V AC/Minute  
 Contact Resistance: 40mΩ Max  
 Insulation resistance: 500MΩ min  
 Relative Humidity: 90% max

CKTS	DIM A	DIM B	DIM C	DIM D	DIM E	DIM F
4	1.50	2.60	6.50	7.60		
5	2.00	3.10	7.00	8.10		
6	2.50	3.60	7.50	8.60		
7	3.00	4.10	8.00	9.10		
8	3.50	4.60	8.50	9.60		
9	4.00	5.10	9.00	10.10		
10	4.50	5.60	9.50	10.60		
11	5.00	6.10	10.00	11.10		
12	5.50	6.60	10.50	11.60		
13	6.00	7.10	11.00	12.10		
14	6.50	7.60	11.50	12.60		
15	7.00	8.10	12.00	13.10		
16	7.50	8.60	12.50	13.60	5.20	6.45
17	8.00	9.10	13.00	14.10		
18	8.50	9.60	13.50	14.60		
19	9.00	10.10	14.00	15.10		
20	9.50	10.60	14.50	15.60		
21	10.00	11.10	15.00	16.10		
22	10.50	11.60	15.50	16.60		
23	11.00	12.10	16.00	17.10		
24	11.50	12.60	16.50	17.60		
25	12.00	13.10	17.00	18.10		
26	12.50	13.60	17.50	18.60		
27	13.00	14.10	18.00	19.10		
28	13.50	14.60	18.50	19.60		
29	14.00	15.10	19.00	20.10		
30	14.50	15.60	19.50	20.60		
31	15.00	16.10	20.00	21.10		
32	15.50	16.60	20.50	21.60		
33	16.00	17.10	21.00	22.10		
34	16.50	17.60	21.50	22.60		
35	17.00	18.10	22.00	23.10		
36	17.50	18.60	22.50	23.60		
37	18.00	19.10	23.00	24.10		
38	18.50	19.60	23.50	24.60		
39	19.00	20.10	24.00	25.10		
40	19.50	20.60	24.50	25.60		
41	20.00	21.10	25.00	26.10		
42	20.50	21.60	25.50	26.60		
43	21.00	22.10	26.00	27.10		
44	21.50	22.60	26.50	27.60		
45	22.00	23.10	27.00	28.10		
46	22.50	23.60	27.50	28.60		
47	23.00	24.10	28.00	29.10		
48	23.50	24.60	28.50	29.60	5.75	7.00
49	24.00	25.10	29.00	30.10		
50	24.50	25.60	29.50	30.60		
51	25.00	26.10	30.00	31.10		
52	25.50	26.60	30.50	31.60		
53	26.00	27.10	31.00	32.10		
54	26.50	27.60	31.50	32.60		
55	27.00	28.10	32.00	33.10		
56	27.50	28.60	32.50	33.60		
57	28.00	29.10	33.00	34.10		
58	28.50	29.60	33.50	34.60		
59	29.00	30.10	34.00	35.10		
60	29.50	30.60	34.50	35.60		



RECOMMENDED P.C.B PATTERN LAYOUT

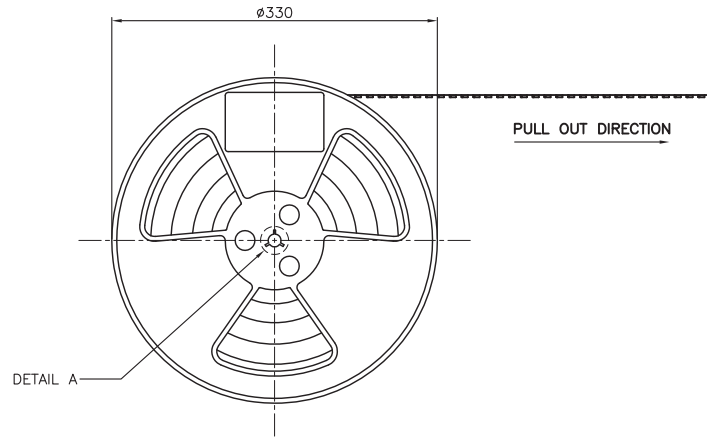
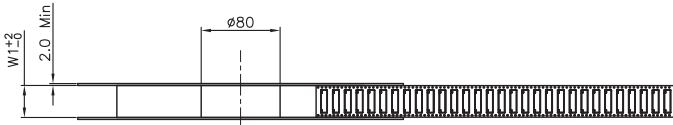


RECOMMENDED FPC/FFC DIMENSION

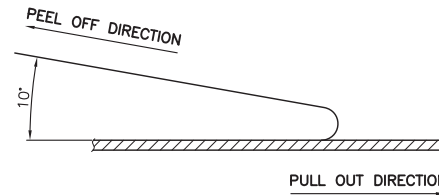
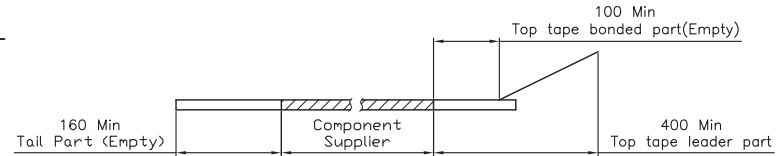
**ORDER INFORMATION**



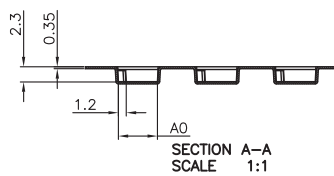
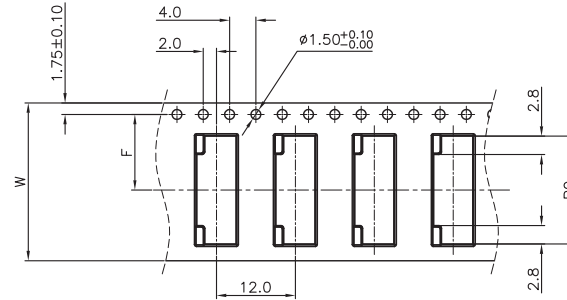
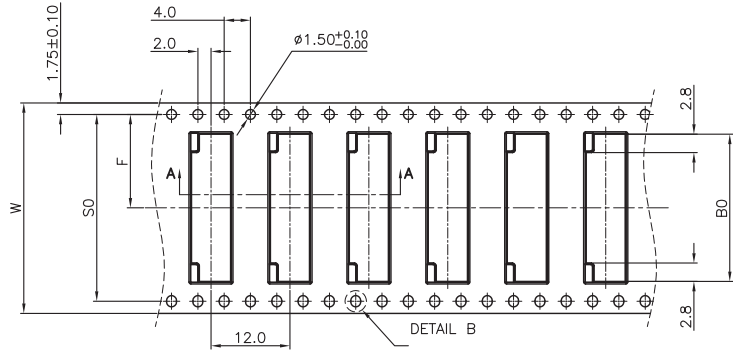
UNIT	mm	Projection		Xmultiple Technologies, Inc.			
TOLERANCES				TITLE			
x.	= ±	-----	x.°	±	3°	0.5mm Pitch ZIF FPC SMT Right Angle Connector Bottom Contact Type 2.0H	
x.x	= ±	0.35	x.°	±	°		
x.xx	= ±	0.20	.xx°	±	°		
x.xxx	= ±	-----	.xxx°	±	°		
DRAWN	WING	DATE	2014/01/10	PART NO.	XFPC835B-XX-PT-X-X-41AVY		
SCALE	1:1	SIZE	A4	SHEET	1/2	REV	B



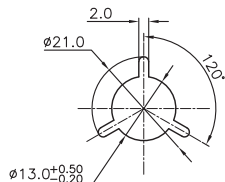
- NOTES:
- 10 SPROCKET HOLE PITCH CUMULATIVE TOLERANCE.  $\pm 0.20$ mm
  - CARRIER CAMBER NOT TO EXCEED 1mm IN 250mm.
  - ALL DIMENSIONS MEET EIA-481-C REQUIREMENTS.
  - MATERIAL: BLACK ANTI-STATIC POLYSTYRENE.
  - THICKNESS:  $0.35 \pm 0.05$  mm.
  - PACKING LENGTH PER 13" REEL : 24.60METERS.
  - COMPONENT LOAD PER 13" REEL : 2000PCS.
  - PEELING OFF FORCE OF TOP TAPE  $0.1N \sim 0.7N$  (10.2gf~100gf).



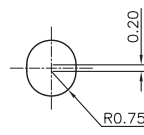
CKTS	B0 $\pm 0.10$	A0 $\pm 0.10$	W	W1	F	S0 $\pm 0.10$
4	7.90					
5	8.40					
6	8.90		16 $\pm 0.3/-0$	16.4	7.5 $\pm 0.10$	
7	9.40					
8	9.90					
9	10.40					
10	10.90					
11	11.40					
12	11.90					
13	12.40					
14	12.90					
15	13.40		24 $\pm 0.3/-0$	24.4	11.5 $\pm 0.10$	
16	13.90					
17	14.40					
18	14.90					
19	15.40	5.95				
20	15.90					
21	16.40					
22	16.90					
23	17.40					
24	17.90					
25	18.40					
26	18.90					
27	19.40					
28	19.90		32 $\pm 0.30$	32.4	14.2 $\pm 0.10$	28.4
29	20.40					
30	20.90					
31	21.40					
32	21.90					
33	22.40					
34	22.90					
35	23.40					
36	23.90					
37	24.40					
38	24.90					
39	25.40					
40	25.90					
41	26.40					
42	26.90					
43	27.40					
44	27.90					
45	28.40					
46	28.90					
47	29.40	6.50				
48	29.90					
49	30.40					
50	30.90					
51	31.40					
52	31.90					
53	32.40					
54	32.90					
55	33.40					
56	33.90					
57	34.40					
58	34.90					
59	35.40		44 $\pm 0.30$	44.4	20.2 $\pm 0.15$	40.4
60	35.90					
			56 $\pm 0.30$	56.4	26.2 $\pm 0.15$	52.4



SECTION A-A  
SCALE 1:1



DETAIL A



DETAIL B  
SCALE 5:1

UNIT	mm	Projection		Xmultiple Technologies, Inc.			
TOLERANCES				TITLE			
x.	$\pm$	----	x. $^\circ$	$\pm$	3 $^\circ$	0.5mm Pitch ZIF FPC SMT Right Angle Connector Bottom Contact Type 2.0H	
x.x	$\pm$	0.35	.x $^\circ$	$\pm$	$^\circ$		
x.xx	$\pm$	0.20	.xx $^\circ$	$\pm$	$^\circ$		
x.xxx	$\pm$	-----	.xxx $^\circ$	$\pm$	$^\circ$		
DRAWN		WING	DATE	2014/01/10	PART NO.		
SCALE	1:1	SIZE	A4	SHEET	2/2	REV	B