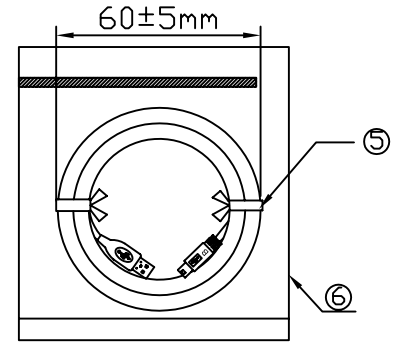
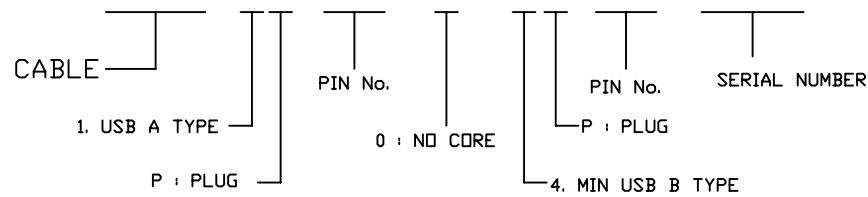


ELECTRICAL PROPERTIES:

1. 100% OPEN SHORT MIS-WIRE TEST
2. CONTACT RESISTANCE: 20HM MAX
3. INSULATION RESISTANCE: 5MEGA OHM MIN
4. HI-POT: 300V DC/10MS

XCAB-1P04-0-4P05-003



RoHS Compliant

PIN ASSIGNMENT		6	1	pcs
CN1:USB A/M CN2:MINI BM		5	MINI TIE:L=60mm COLOR:WHITE	2 pcs
1 ——— RED ——— 1		4	70Pa PVC COLOR: WHITE(0438-1)	12 9
2 ○○○ WHITE ○○○ 2		3	CN2: MINI USB "B"/M SOLDER TYPE GOLD PLATED:30u" PLASTIC: BLACK	1 set
3 ○○○ GREEN ○○○ 3		2	CN1: USB "A" /M SOLDER TYPE PIN HALF CIRCLE GOLD PLATED :30u" PLASTIC: WHITE	1 set
4 ——— BLACK ——— 5		1	CABLE:UL2725 28AWG/1P+28AWG/2C+AEB65% V2.0 JACKET COLOR:WHITE(0438) OD: 3.8±0.15mm	1 pcs
SHELL — D.W&BD — SHELL		NO.	DESCRIPTION	Q'TY UNITS

X MULTIPLE		AGE	
<small>XMULTIPLE ASIA 4F, No. 347, Yang Guang St., Neihu Chiu, Taipei, Taiwan 11475</small>		<small>XMULTIPLE USA 1420 Los Angeles Ave., Suite G, Simi Valley, CA 93065</small>	
THIS DRAWING IS A CONTROLLED DOCUMENT.		G/NO:	
TITLE: USB A/M TO MINI B/M		DWG NO: XCAB-1P04-0-4P05-003	
PART NO: XCAB-1P04-0-4P05-003		DRAWN: RUNES	
UNIT: mm [Inch] J		SHEET: 1 of 1	
REV: 01		CHKD: JEFF	
DATE: Apr.11,06			