

XDVI Part Numbering System

XDVI-P1-29-1-001

XDVI Series

P : PLUG
S : SOCKET

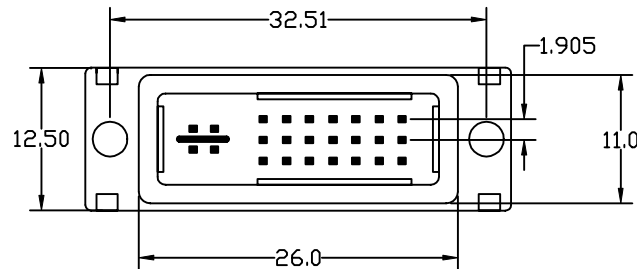
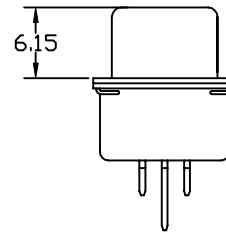
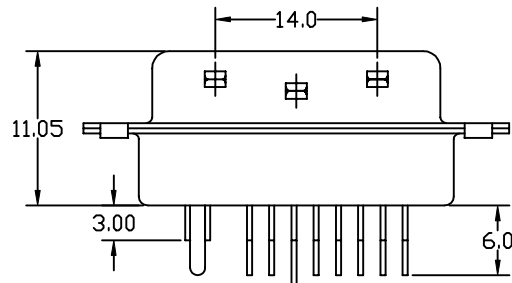
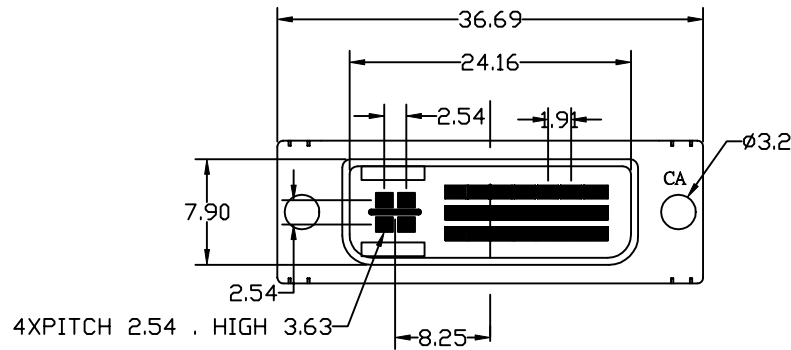
1 : 
2 : 

NUMBER OF PIN

PIN PLATING



1 : GOLD FLASH	6 : Au 30u" PLATING
2 : Sn/Pb PLATING	7 : HALF Ni AND Sn/Pb PLATING
3 : ALL Au PLATING	8 : ALL Au 30u" PLATING
4 : Au 5u" PLATING	9 : Ag PLATING
5 : Au 15u" PLATING	

RUNNING No.



NOTES:

- CONTACT HEIGHT FOR PIN#14 IS 4.70
BALANCE OF CONTACTS 5.46
- FOR SPECIFICATION AND PERFORMANCE CHARACTERISTICS SEE CA DWG 100252
- ENVIRONMENTAL: TEMPERATURE RANGE+880
- ELECTRICAL:
RATED: 1.5A@40V AC(MS)
CONTACT RESISTANCE: 20 MILLIOHMS MAXIMUM
INSULATION RESISTANCE: 1000 MEGOHMS MINIMUM
DIELECTRIC WITHSTANDING VOLTAGE: 500V DC(MS)
- MECHANICAL:
MATING FORCE: 10LB.[4.5Kg] MAXIMUM
UNMATING FORCE: 2.2LB.[1Kg] MINIMUM, 8.8LB.[4Kg]MAXIMUM
- MATERIAL:
HOUSING: GLASS FILLED THERMOPLASTIC, NATURAL, UL94-0
CONTACT: PHOSPHOR BRONZE
SHELL: ZINC ALLOY, NICKEL PLATED
- UNSPECIFIED TOLERANCE: .XX ±0.13[0.005]
.X ±0.25[0.01]

X MULTIPLE		CONNECTING THE INFORMATION AGE	
XMULTIPLE ASIA 3F, No. 60, Juluen St., Taipei, 10488, Taiwan.		XMULTIPLE USA 3555 Old Conejo Road Newbury Park, CA 91320	
THIS DRAWING IS A CONTROLLED DOCUMENT.		G/NO:	
TITLE: MALE DVI CONNECTOR INTEGRATED DIGITAL/ANALOG 24+5		DWG NO: XDVI-P1-29-1-001	
PART NO: XDVI-P1-29-1-001		DRAWN: JEFF	
		CHKD: C. TSAI	
		DATE: 10/22/02	
		DIMENSIONS	SHEET
mm [inch]		1 of 1	REV A