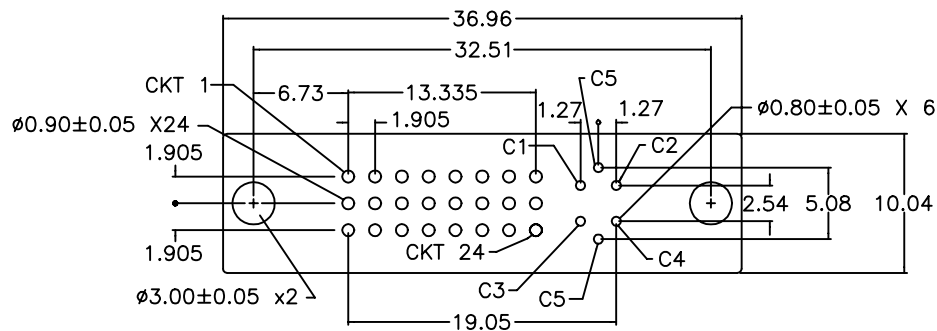
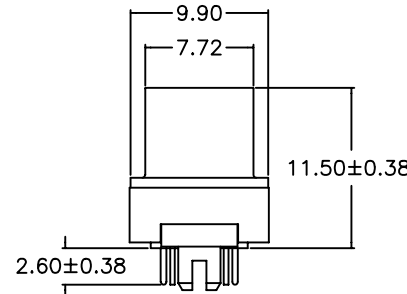
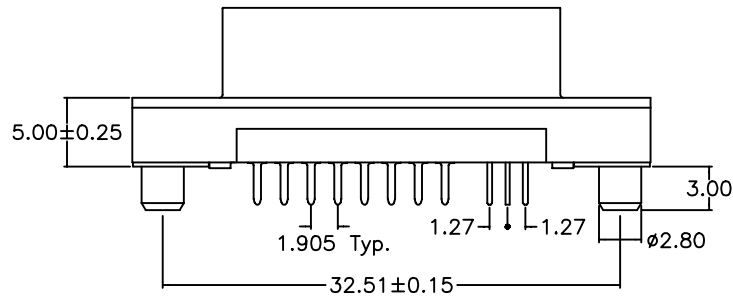
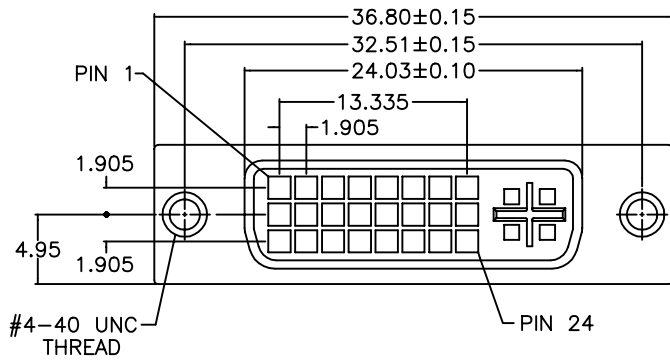
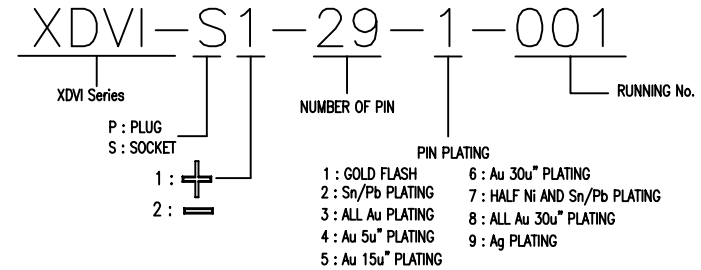


XDVI Part Numbering System



RECOMMENDED P.C.B. LAYOUT

NOTE:

- MATERIALS**
 - INSULATOR: GLASS REINFORCED THERMOPLASTIC UL94V-0.
 - CONTACT: PHOSPHOR BRONZE.
 - PLATING: GOLD ON CONTACT AREA AND TIN/LEAD ON SOLDER TAIL ALL WITH NICKEL UNDERPLATING.
 - METAL BOARD LOCK: COPPER ALLOY WITH TIN PLATING.
 - SHELL: ZINC ALLOY.
- ELECTRICAL**
 - VOLTAGE RATING: 250 VAC (R.M.S.)
 - CURRENT RATING: 1.5 AMP.
 - INSULATION RESISTANCE: 2000 MΩMIN.
 - DIELECTRIC WITHSTANDING VOLTAGE: 500 VAC (R.M.S.)
 - CONTACT RESISTANCE: 20mΩ MAX. (INITIAL)
- ENVIRONMENTAL**
 - TEMPERATURE RANGE: -55°C TO +85°C
- ALL DIMENSION ARE IN mmS.
- GENERAL TOLERANCE: ±0.25mm.
- UNSPECIFIED TOLERANCE: .XX ±0.13[0.005]
.X ±0.25[0.01]

XMULTIPLE		CONNECTING THE INFORMATION AGE
XMULTIPLE ASIA 3F, No. 60, Juluen St., Taipei, 104, Taiwan. R.O.C.		XMULTIPLE USA 543 Country Club Drive #B 128 Simi Valley, CA 93065
THIS DRAWING IS A CONTROLLED DOCUMENT.		CUSTOMER/NO:
TITLE: FEMALE DVI CONNECTOR INTEGRATED 29 - 180°		DWG NO: XDVI-S1-29-1-001
PART NO: XDVI-S1-29-1-001		DRAWN: JEFF
DIMENSIONS mm[inch]		CHKD: C. TSAI
		DATE: 02/26/03
SHEET 1 of 1		REV A