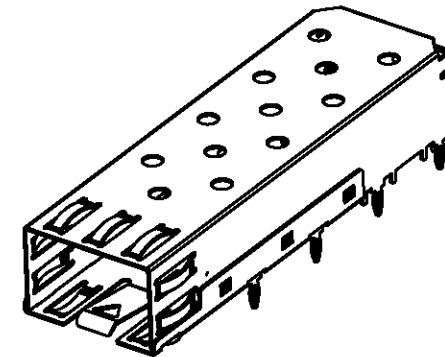
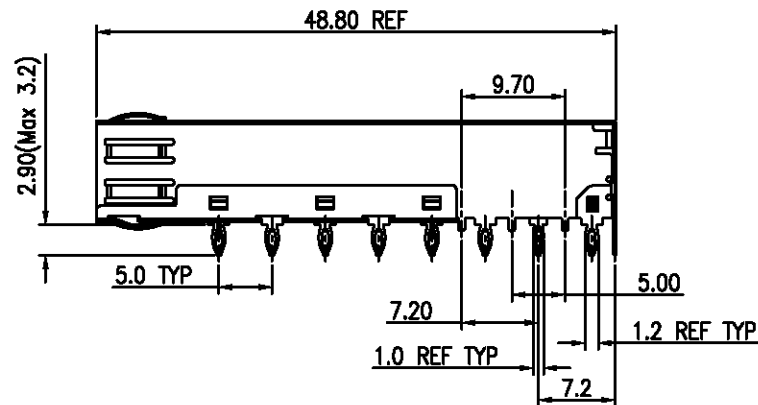
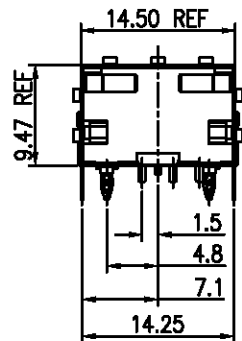
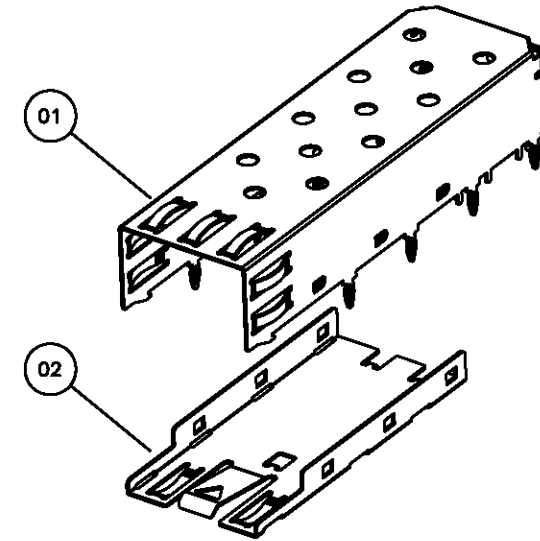
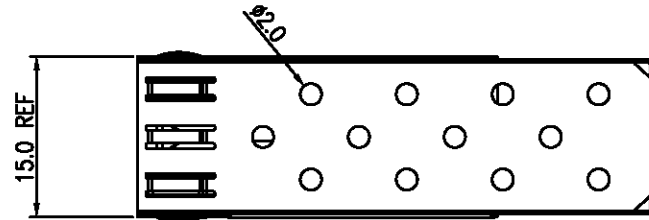
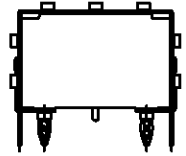


REVISION RECORD				
REV	ECO	DESCRIPTION	DRFT	CHKD



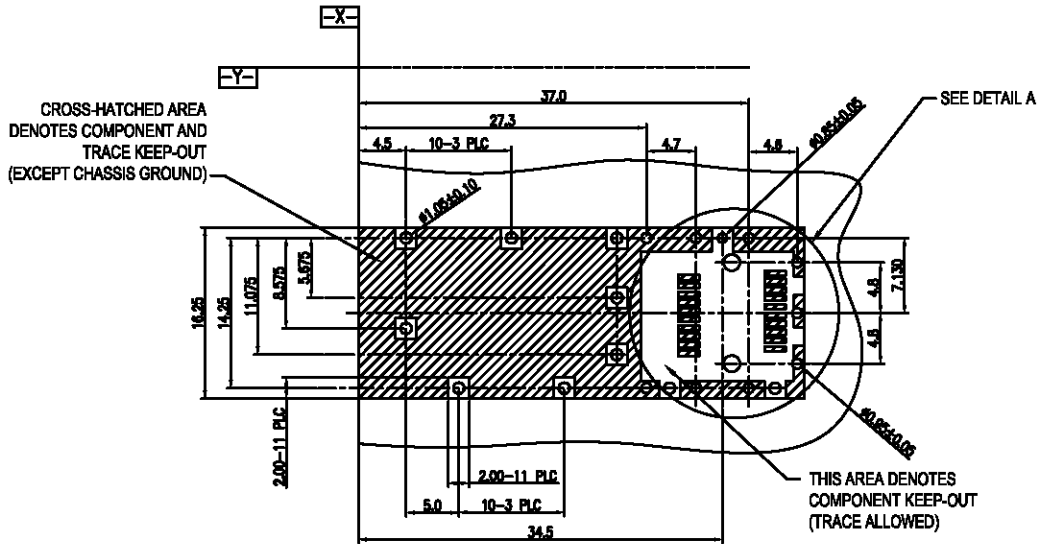
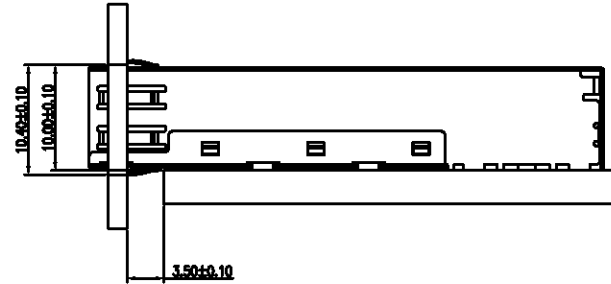
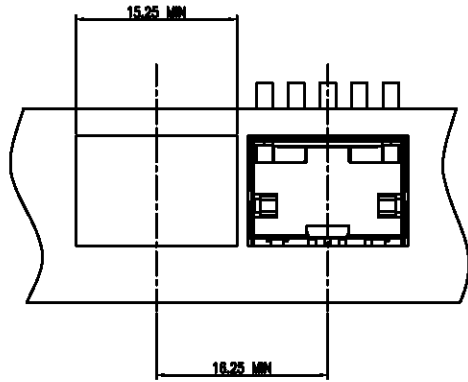
NOTE:

- DESCRIPTION
01 SFP TOP CAGE
02 SFP BOTTOM CAGE
- TEMPERATURE:
OPERATION: $-40^{\circ}\text{C} \sim +85^{\circ}\text{C}$
STORAGE: $-40^{\circ}\text{C} \sim +85^{\circ}\text{C}$
- RoHS COMPLIANT
- PART NUMBER : SFP001A-L

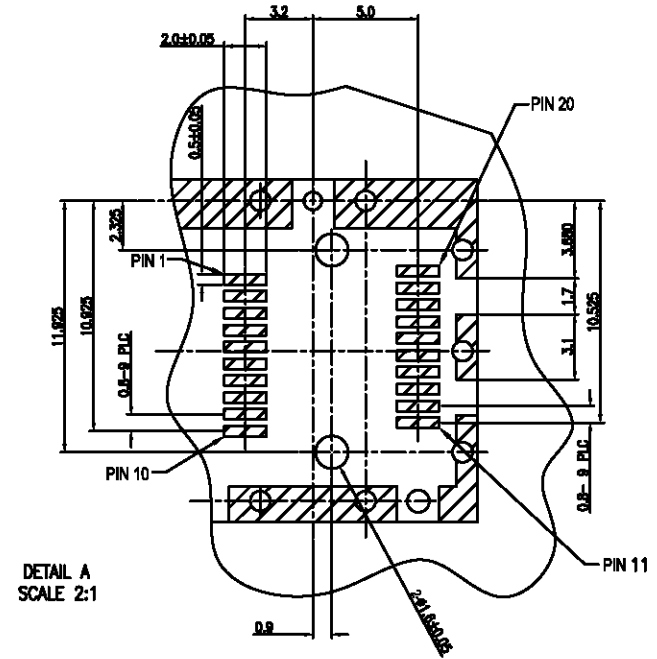
MATERIAL
Copper Alloy
Copper Alloy

REMOVED LISTS TOLERANCES EXCEPT AS NOTED MM .0 ±0.20 ± .00 ±0.15 ± .000 ±0.075 ± ANGLES ± THIRD ANGLE PROJECTION	DFTD JREY CHKD MFD APPVL	DATE 08/15/10 DATE DATE DATE	Xmultiple Technologies, Inc.		
	MATERIAL :		TITLE SFP CAGE 1 PORT		
	QTY : FINISH : SCALE :	DRAWING NO. SFP-001A /PART NO. SEE NOTE		SIZE A3	REV 1
	DO NOT SCALE DRAWING		SHEET X OF Y		

REVISION RECORD				
REV	ECO	DESCRIPTION	DRFT	CHKD



PCB LAYOUT THICKNESS=3.0mm (TOP VIEW)



MM (INCH)		DFTD JERRY	DATE 09/15/10
TOLERANCES EXCEPT AS NOTED		CHKD	DATE
		MFD	DATE
		APPL	DATE
MATERIAL :			
QTY :			
FINISH :			
SCALE :			
THIRD ANGLE PROJECTION			

Xmultiple Technologies, Inc.			
TITLE			
SFP CAGE 1 PORT			
DRAWING NO. SFP-001A		SIZE	REV
/PART NO. SEE NOTE		A3	1
DO NOT SCALE DRAWING		SHEET X	OF Y