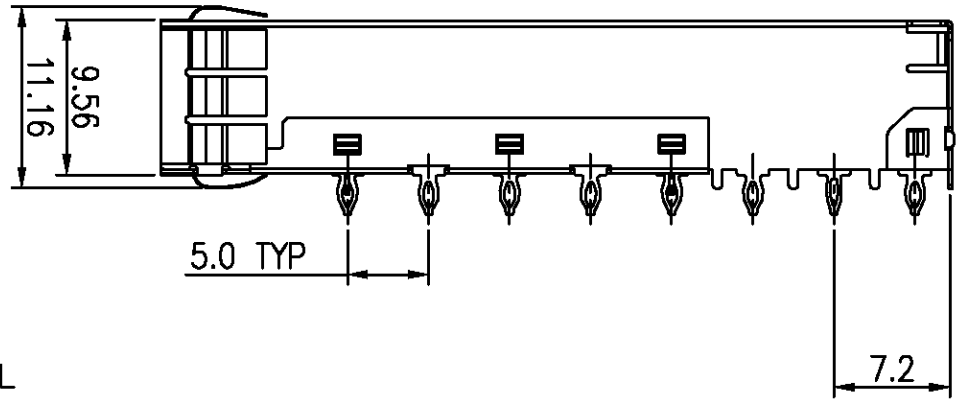
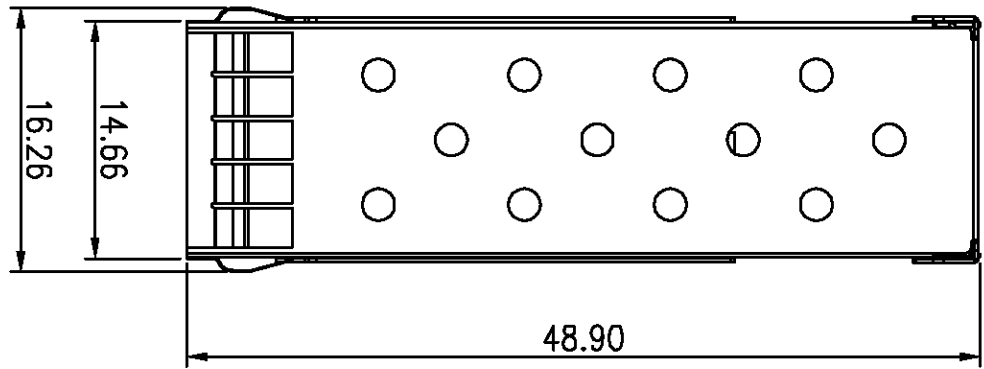
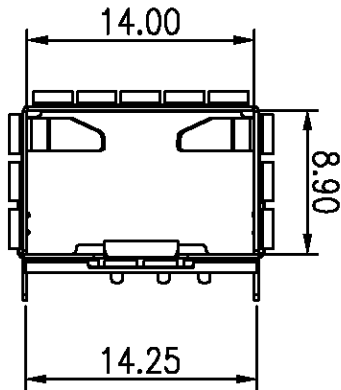


REVISION RECORD				
REV	ECD	DESCRIPTION	DFT	CHKD

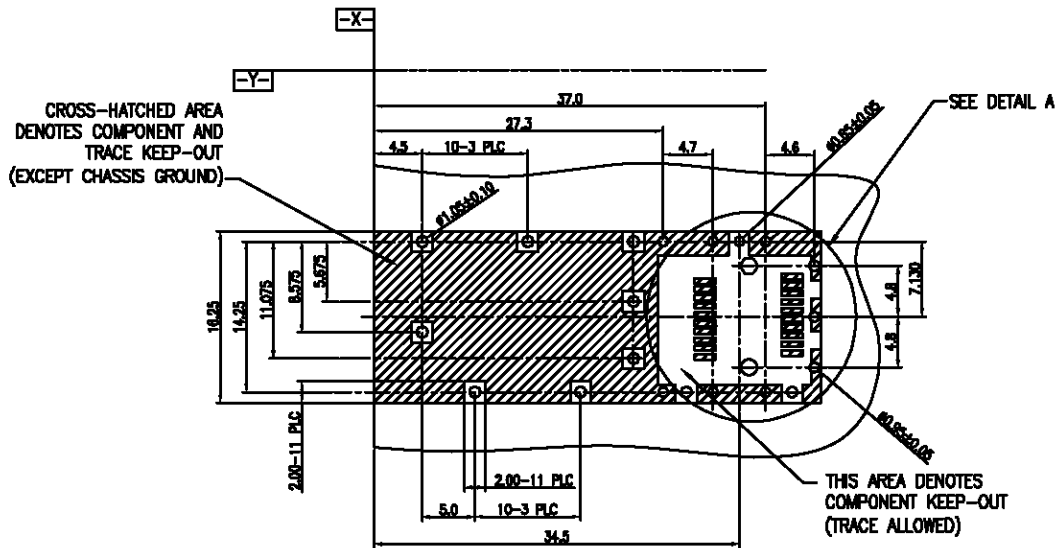
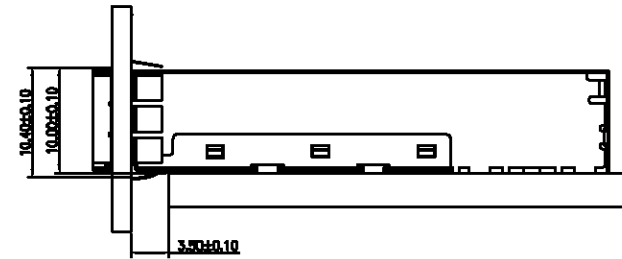
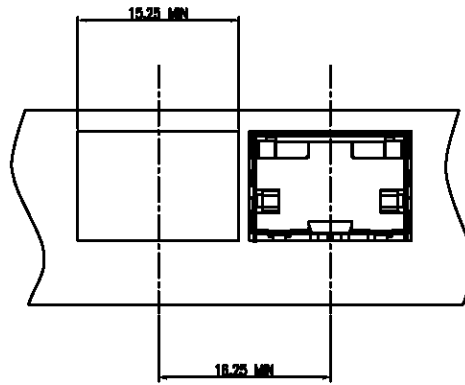


NOTE:

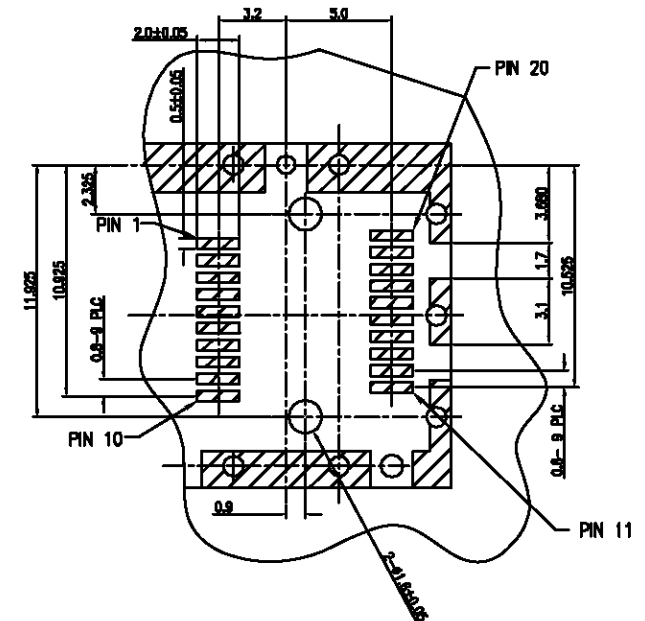
- |                            |            |
|----------------------------|------------|
| 1, DESCRIPTION             | PLATING    |
| 01 SFP TOP CAGE            | Ni FOR ALL |
| 02 SFP BOTTOM CAGE         | Ni FOR ALL |
| 03 SFP EMI CLIP            | Ni FOR ALL |
| 2, TEMPERATURE:            |            |
| OPERATION: -40°C ~ +85°C   |            |
| STORAGE: -40°C ~ +85°C     |            |
| 3, RoHS COMPLIANT          |            |
| 4, PART NUMBER : SFP005A-L |            |

DEVIANCE LIST TOLERANCES EXCEPT AS NOTED HX ± 0.20 D1 ± 0.25 D2 ± 0.25 D3 ± 0.275 ANGLES ± THIRD ANGLE PROJECTION	DFTD CDDZ DATE 12/18/07	DATE DATE	Xmultiple Technologies, Inc.		
	APPVL ALMM DATE 12/18/07	MATERIAL :	TITLE SFP+ CAGE 1 PORT W/CLIP		
	QT'Y :	FINISH:	DRAWING NO. SFP-005A /PART NO. SEE NOTE	SIZE A3	REV <input type="checkbox"/>
	SCALE :	DO NOT SCALE DRAWING	SHEET X OF Y		

REVISION RECORD				
REV	ECO	DESCRIPTION	DRFT	CHKD



PCB LAYOUT THICKNESS=3.0mm (TOP VIEW)



DETAIL A  
SCALE 2:1

DETACHED LISTS TOLERANCES EXCEPT AS NOTED MM .1 ± 0.20 .30 ± 0.15 .50 ± 0.25 ANGLES ± THIRD ANGLE PROJECTION	SFTD COEZ CHKD ALARM MFD APPVL DATE 12/10/97	DATE 12/10/97 DATE DATE 12/10/97	Xmultiple Technologies, Inc.		
	TITLE SFP+ CAGE 1 PORT W/CLIP		DRAWING NO. SFP-005A /PART NO. SEE NOTE	SIZE A3	REV 0
	SCALE:		DO NOT SCALE DRAWING		SHEET X OF Y
	FINISH:		MATERIAL:		