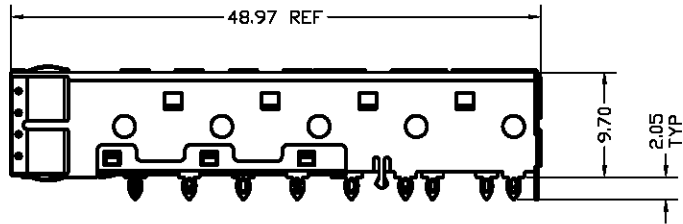
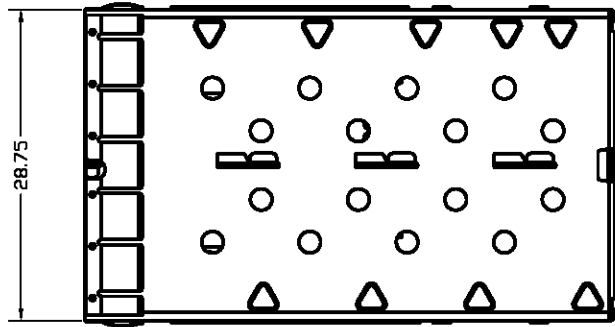
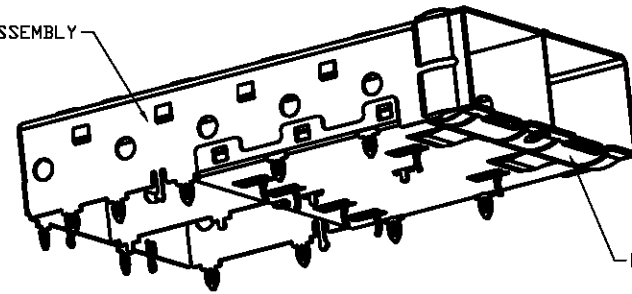


REVISION RECORD				
REV	ECD	DESCRIPTION	DRFT	CHKD

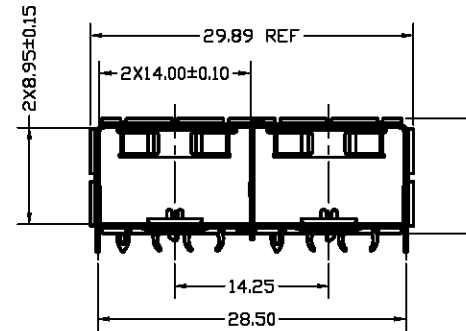


CAGE ASSEMBLY

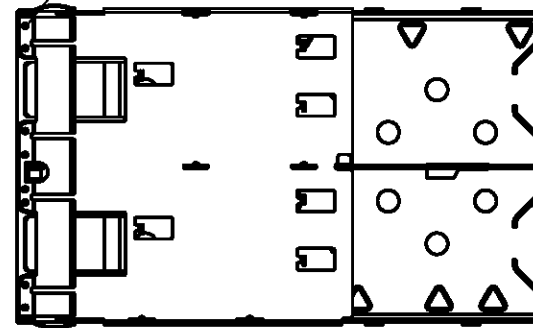


EMI SPRINGS

SCALE 1:1



WELD POINT

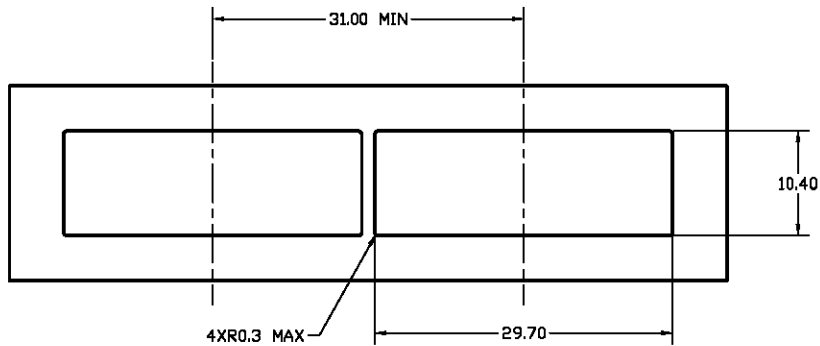


**NOTE:**

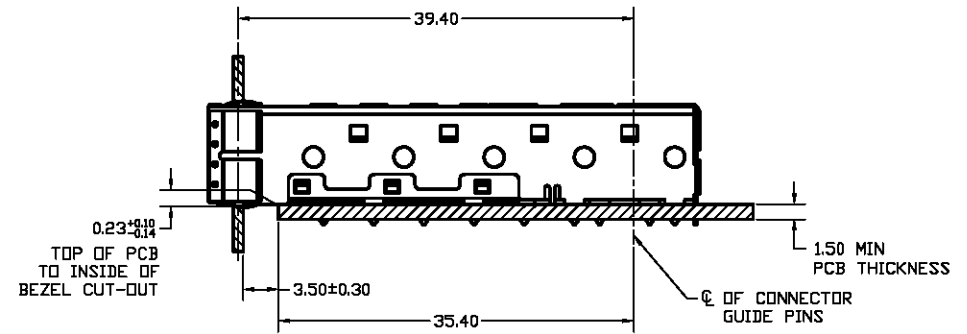
- DESCRIPTION MATERIAL  
01 SFP TOP CAGE COPPER ALLOY  
02 SFP BOTTOM CAGE COPPER ALLOY
- TEMPERATURE:  
OPERATION: -40°C~ +85°C  
STORAGE: -40°C~ +85°C  
MATES WITH SFP MSA COMPLIANT TRANSCEIVERS
- RoHS COMPLIANT
- PART NUMBER : SFP012P

DIMENSIONS UNLESS OTHERWISE SPECIFIED DIMENSIONS ARE IN MILLIMETERS DECIMALS ARE TO 0.025 ANGLES ARE TO 0.5° THIRD ANGLE PROJECTION	DFTD AMBY CHKD MFD APPVL	DATE 02/25/11 DATE DATE DATE	Xmultiple Technologies, Inc.	
	TOLERANCES EXCEPT AS NOTED:		TITLE SFP CAGE+ 1x2 PORT PRESS FIT	
	FIN ± 0.20 RD ± 0.15 HOLE ± 0.075	MATERIAL :	DRAWING NO. SFP-012P /PART NO. SEE NOTE	
	ANGLE ±	QTY :	SIZE A3	REV 0
FINISH:		DO NOT SCALE DRAWING		SHEET X OF Y

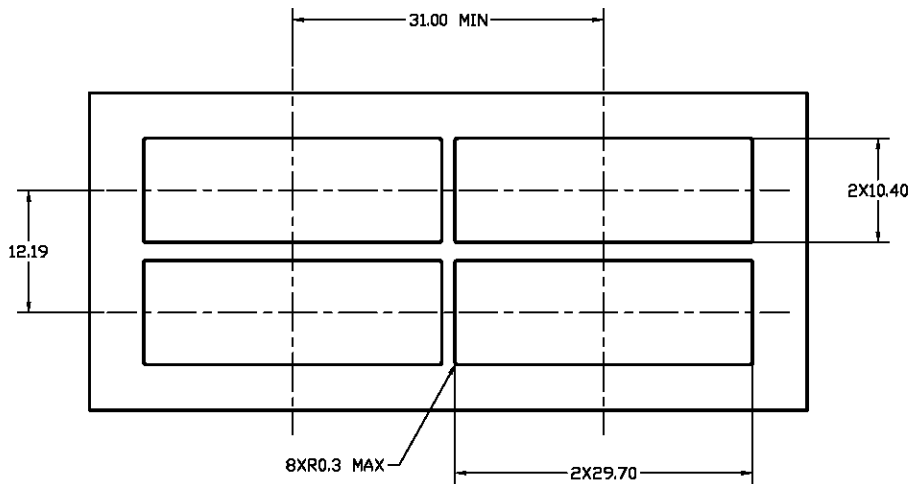
REVISION RECORD				
REV	ECD	DESCRIPTION	DRFT	CHKD



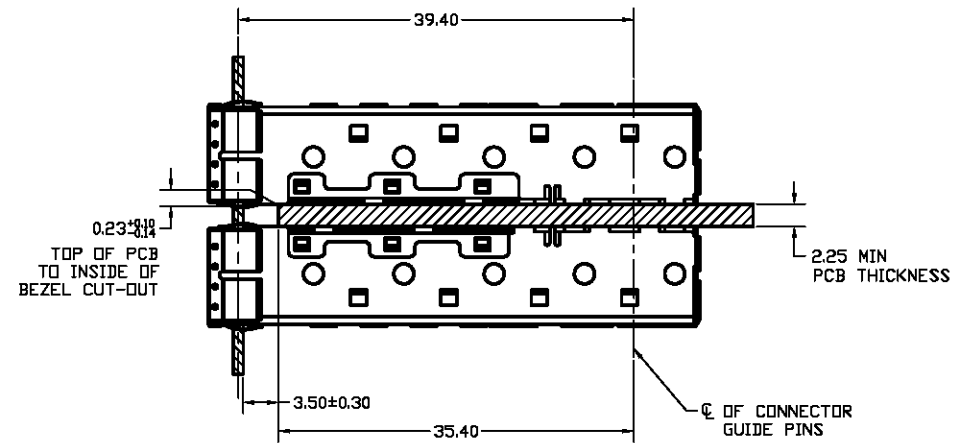
RECOMMENDED BEZEL CUT-OUT  
SINGLE SIDED APPLICATIONS



MOUNTED ON PC BOARD  
SHOWN THRU RECOMMENDED BEZEL



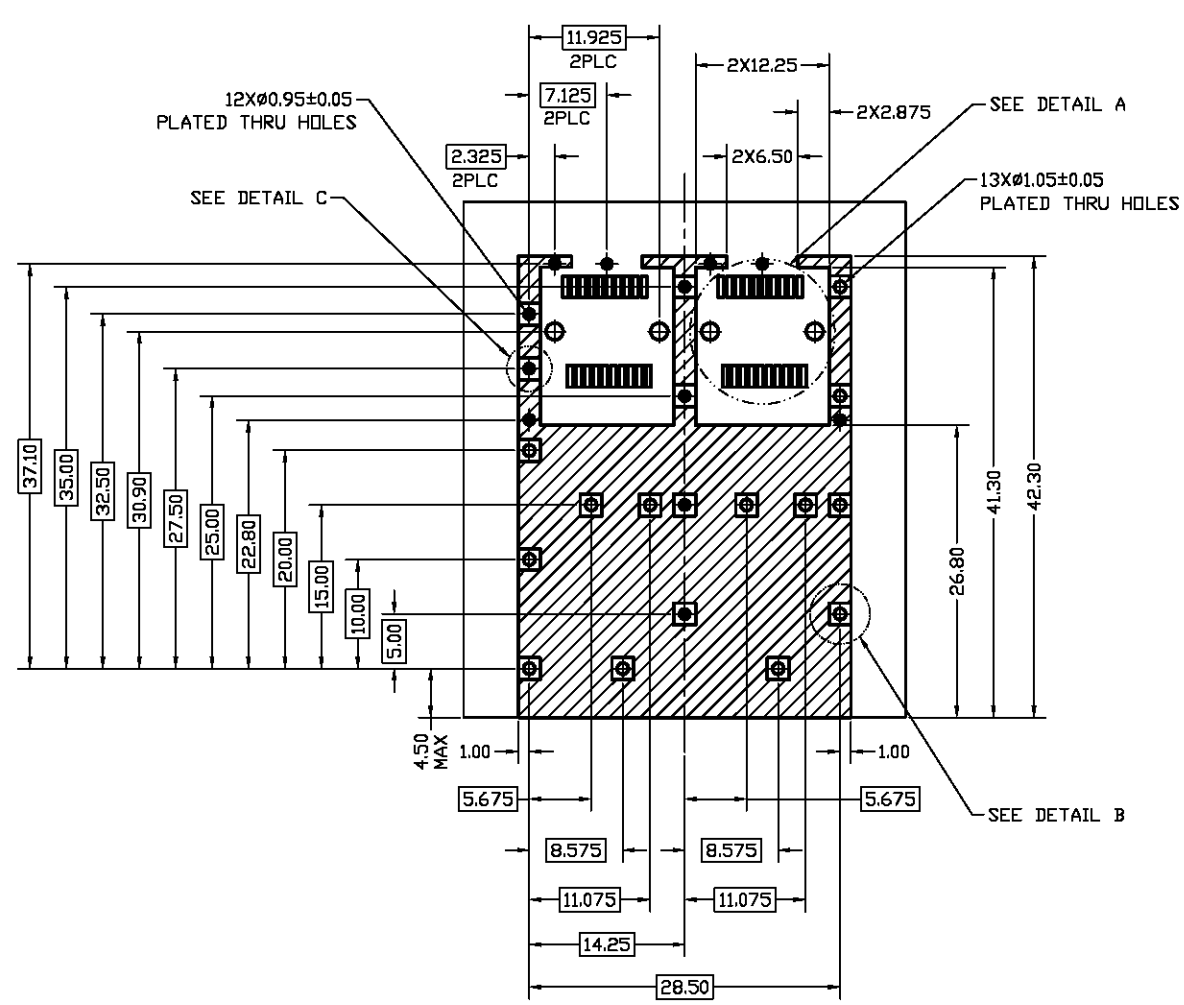
RECOMMENDED BEZEL CUT-OUT  
BELLY TO BELLY APPLICATIONS



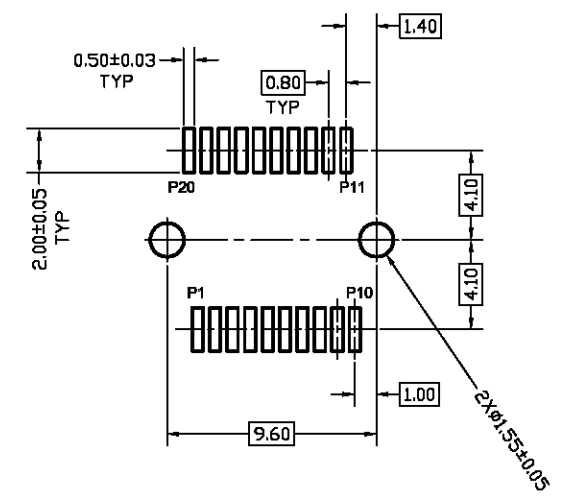
MOUNTED BELLY TO BELLY ON PC BOARD  
SHOWN THRU RECOMMENDED BEZEL

TOLERANCES EXCEPT AS NOTED MM ± 0.20 .00 ± 0.15 .000 ± 0.075 ANGLES ± THIRD ANGLE PROJECTION	DFTD ANY CHKD DATE	DATE 02/21/11	<b>Xmultiple Technologies, Inc.</b>	
	APPVL DATE	DATE		
	MATERIAL	QT'Y	TITLE <b>SFP CAGE+ 1x2 PORT PRESS FIT</b>	
	FINISH SCALE	DRAWING NO. SFP-012P /PART NO. SEE NOTE	SIZE <b>A3</b>	REV <input type="checkbox"/>
DO NOT SCALE DRAWING		SHEET X OF Y		A

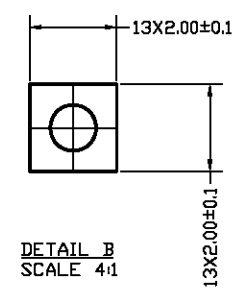
REVISION RECORD				
REV	ECD	DESCRIPTION	DRFT	CHKD



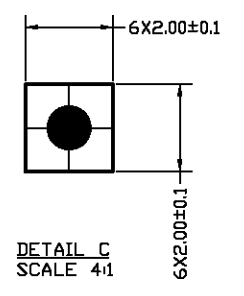
RECOMMENDED PCB LAYOUT  
WITH KEEP-OUT AREAS  
SINGLE SIDED APPLICATIONS



DETAIL A  
SCALE 2:1



DETAIL B  
SCALE 4:1



DETAIL C  
SCALE 4:1

DETACHED LISTS DIM CHORD TOLERANCES EXCEPT AS NOTED .1 ± 0.20 .20 ± 0.15 .300 ± 0.175 ANGLES ± THIRD ANGLE PROJECTION	DFTD AMBY DATE 02/24/11	<b>Xmultiple Technologies, Inc.</b>		
	CHKD DATE	TITLE <b>SFP CAGE+ 1x2 PORT PRESS FIT</b>		
	MFD DATE	DRAWING NO. SFP-012P /PART NO. SEE NOTE		
	APPVL DATE	MATERIAL : QTY : FINISH: SCALE :		
DO NOT SCALE DRAWING		SHEET X OF Y	SIZE <b>A3</b>	REV <input type="checkbox"/>