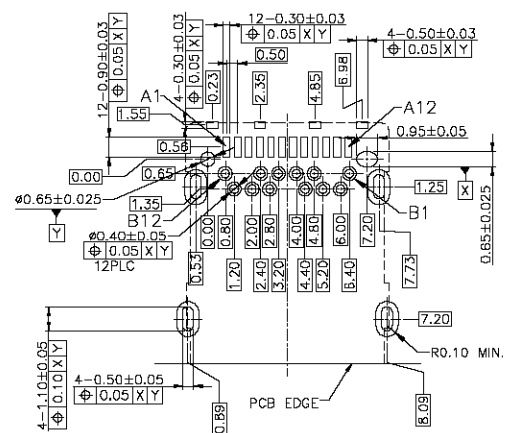
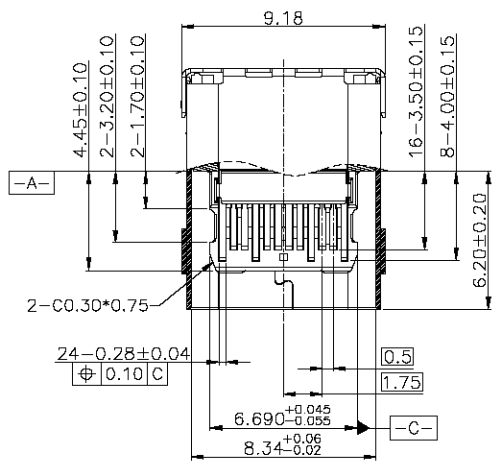
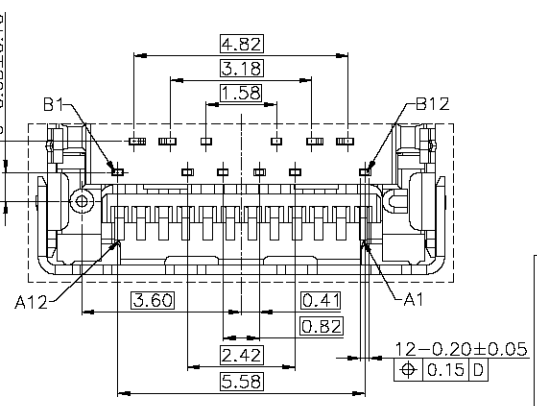
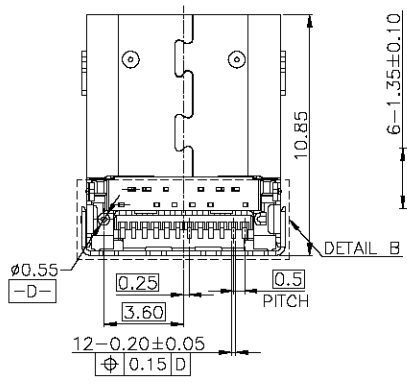
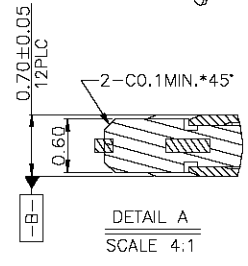
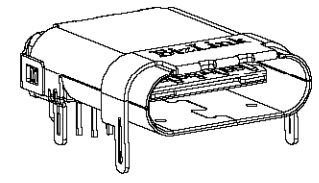
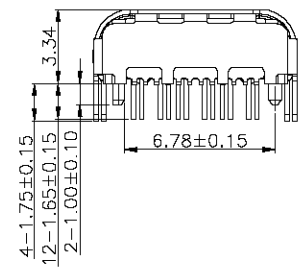
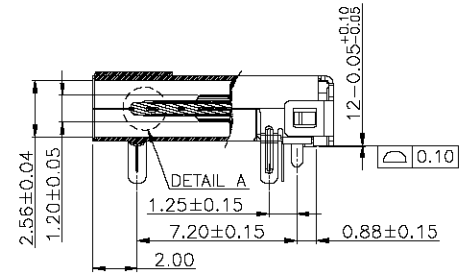
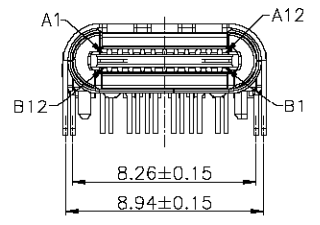


REV.	ECN NO.	CONTENT	DATE	ENGINEER
A0			2014 09/01	



RECOMMENDED PCB LAYOUT (COMPONENT SIDE)

- NOTE:
- PRODUCT MUST COMPLY WITH THE ENVIRONMENTAL PROTECTION STANDARD OF BIZCONN.
 - MATERIAL:
 - MOLDING HOUSING: HIGH TEMPERATURE THERMOPLASTIC UL94-V0, BLACK, HF.
 - TERMINAL: COPPER ALLOY.
 - SHELL: STAINLESS STEEL.
 - FINISH:
 - TERMINAL: GOLD-PLATED ON CONTACT AREA SEE P/N NOETS, SOLDER AREA Sn 100u" Ni 50u" UNDERPLATED ALL OVER
 - SHELL: Ni 50u" MIN PLATED ALL OVER
 - THE P/N IS SHOWN AS BELOW.



DETAIL B
SCALE 2:1

Xmultiple Technologies, Inc.

NAME: USB 3.0 C TYPE REC CUSTOMERDRAWING	
APPD. Cheng 01/2014	DRW NO.: XM-9924
CHKD.	PJ. NO.:
DR.	FINISH: SEE NOTES SCALE: N/A
	MAT'L: SEE NOTES REV.: A0 UNIT: mm PAGE: 1/1