

1

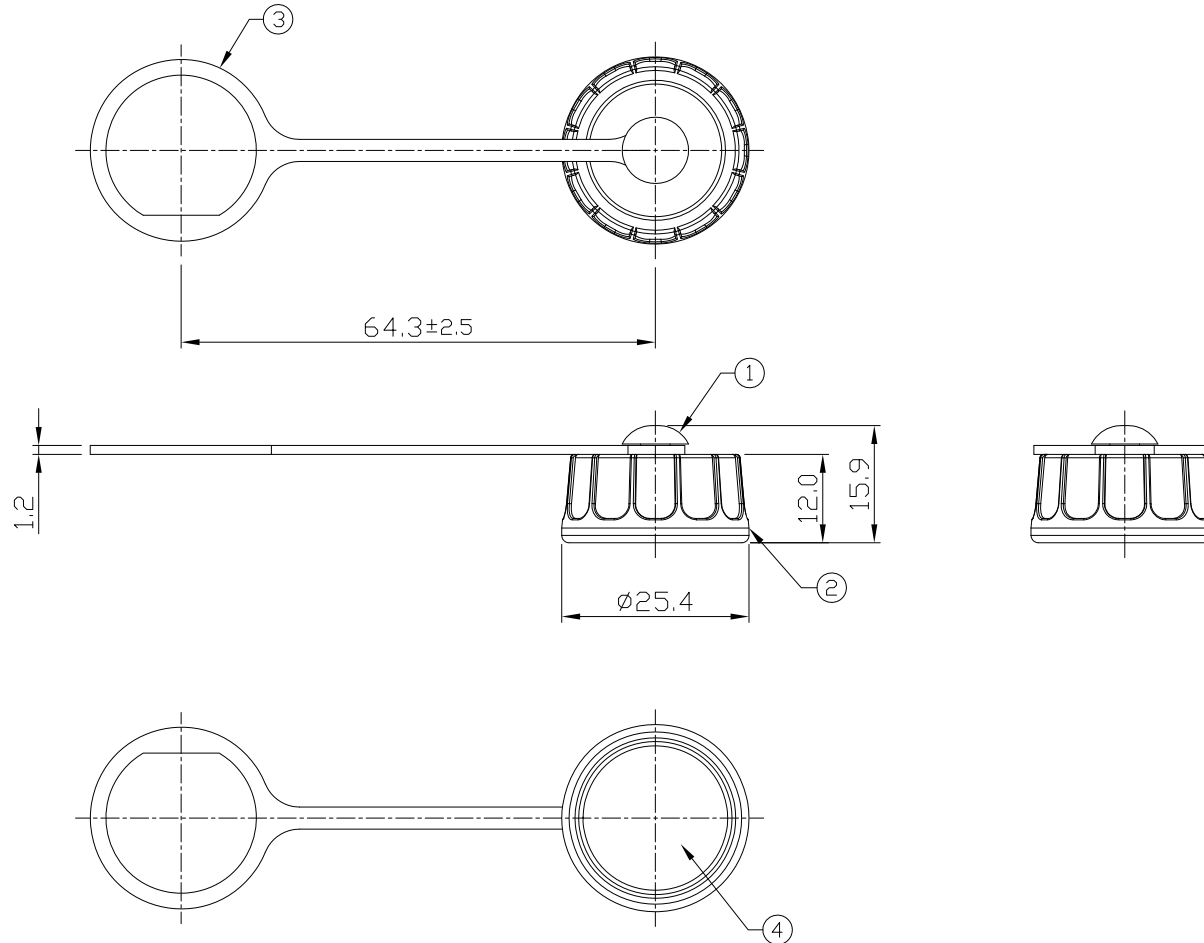
2

3

4

Notes: (Unless Otherwise Specified)  
 1. Waterproof Rate: IP67.  
 2. RoHS Compliant.

REV	ECN#	DESCRIPTION OF REVISION	DRAW BY DATE	CHECK BY DATE	APPROVE BY DATE
01			Karen 04/25/16	Lucas 04/25/16	Ray 04/25/16



4	Rubber Pad	Silicone Color: Black	1
3	Rubber Chain	TPE Color: Black	1
2	Screw Cap	Thermoplastic Color: Black	1
1	Plastic Rivet	Thermoplastic Color: Black	1
Item	Part Name	Material / Finish	Q'TY

TITLE						DRAWING NUMBER			REV.
Cap Plastic For C3 Screw Panel With Rubber Chain						XWPB-GT1C533122-N			01
THIRD ANGLE PROJECTION	SIZE	SCALE	DRAW / DATE	CHECK / DATE	APPROVE / DATE	TOLERANCES	UNIT	SHEET	
	B	1:1	Karen 04/25/16	Lucas 04/25/16	Ray 04/25/16	X.X ± 0.5 X.XX ± 0.2	X.XXX ± 0.05 ANGLES ± 1°	mm 1/1	

**Xmultiple**

NOTICE OF PROPRIETARY PROPERTY:  
 THE INFORMATION CONTAINED HEREIN IS THE PROPRIETARY PROPERTY OF Xmultiple. THE POSSESSOR AGREES TO THE FOLLOWING:  
 (i) TO MAINTAIN THIS DOCUMENT IN CONFIDENCE  
 (ii) NOT TO REPRODUCE OR COPY IT  
 (iii) NOT TO REVEAL OR PUBLISH IT IN WHOLE OR PART  
 (iv) ALL RIGHTS RESERVED

1

2

3

4