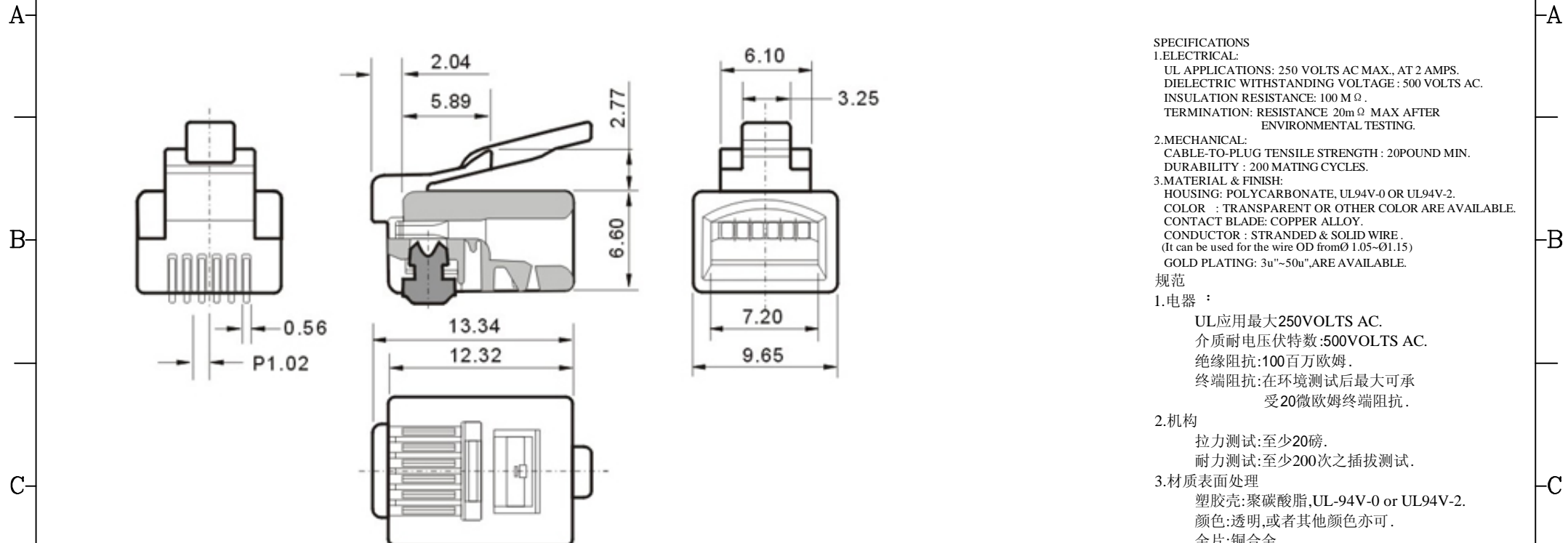


1 2 3 4 5 6 7

更改 REV	出图日期 DATE	设变内容 MODIFICATION	修改 DRAWN
	2010/7/29		



SPECIFICATIONS

1. ELECTRICAL:
 UL APPLICATIONS: 250 VOLTS AC MAX., AT 2 AMPS.
 DIELECTRIC WITHSTANDING VOLTAGE: 500 VOLTS AC.
 INSULATION RESISTANCE: 100 M Ω.
 TERMINATION: RESISTANCE 20m Ω MAX AFTER ENVIRONMENTAL TESTING.

2. MECHANICAL:
 CABLE-TO-PLUG TENSILE STRENGTH: 20 POUND MIN.
 DURABILITY: 200 MATING CYCLES.

3. MATERIAL & FINISH:
 HOUSING: POLYCARBONATE, UL94V-0 OR UL94V-2.
 COLOR: TRANSPARENT OR OTHER COLOR ARE AVAILABLE.
 CONTACT BLADE: COPPER ALLOY.
 CONDUCTOR: STRANDED & SOLID WIRE.
 (It can be used for the wire OD from Ø 1.05~Ø1.15)
 GOLD PLATING: 3u"~50u", ARE AVAILABLE.

规范

1. 电器:
 UL应用最大250VOLTS AC.
 介质耐电压伏特数:500VOLTS AC.
 绝缘阻抗:100百万欧姆.
 终端阻抗:在环境测试后最大可承受20微欧姆终端阻抗.

2. 机构
 拉力测试:至少20磅.
 耐力测试:至少200次之插拔测试.

3. 材质表面处理
 塑胶壳:聚碳酸脂,UL-94V-0 or UL94V-2.
 颜色:透明,或者其他颜色亦可.
 金片:铜合金.
 导体:多股线&单股线.
 (芯线直径: φ1.05~φ1.15均可适用)
 镀金厚度:3u"~50u",皆可提供.

客户用产品图

XMULTIPLE TECHNOLOGIES, INC.			
DIMENSION IN mm (Inch) TOLERANCE UNLESS OTHERWISE SPECIFIED		材质 MATERIAL PC	图号 DWG NO. X11Z-RB-US605
.X±0.20	.X°±5°	名称 TITLE 6P6C RJ11 PLUG	
.XX±0.10	.XX°±2°		
审核 APPROVAL 沈红波	核对 CHECKED 钟均江	制图 DRAWN LiWenjuan	比例 SCALE 2/1 张数 SHEET 1/1 角法 PROJ. 更改 REV B

1 2 3 4 5 6 7