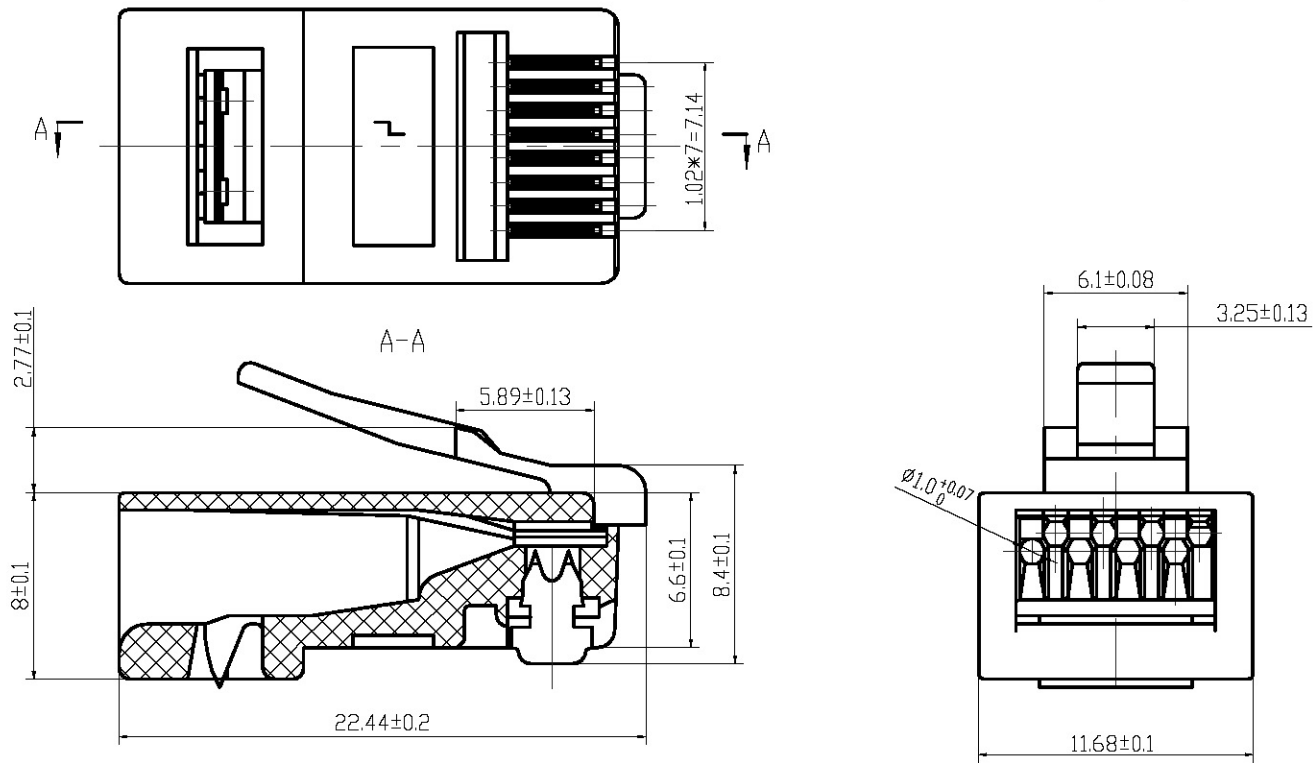


PART NO LIST			
NO	PART NO.	PLATING	MATERIAL
1	A113-88GF-A004	AU G/F*	PC UL94-V2
2	A113-8830-A004	AU 30U*	PC UL94-V2
3	A113-8850-A004	AU 50U*	PC UL94-V2
4	A113-8815-A004	AU 15U*	PC UL94-V2
5	A113-8803-A004	AU 3U*	PC UL94-V2
6	A113-8806-A004	AU 6U*	PC UL94-V2
7	A113-8850-B004	AU 50U*	PC UL94-V0

REV.	ECN NO.	DATE
06	ADD PART NO.	09.4.25



SPECIFICATION

1. Insulation Resistance: 1000 Megohms min;
2. Withstand Voltage: 1000V, AC/minute.
3. Durability: 1000 mating circles min.

3	C07100801	LONG BLADE	QSn6.5-0.1 T=0.35
2	QWY-1209-1	BLADE	QSn6.5-0.1 T=0.35
1	H08112401	CAT6 8P8C PLUG	PC TRANSPARENCE
NO.	DWG NO.	NAME	DESCRIPTION

RoHS Compliant

Xmultiple Technologies, Inc.				TOLERANCES	MATERIAL: SEE TABLE	DESIGNED: LIUPAN	NAME: CAT6 8P8C PLUG
		SCALE	UNIT	CUSTOMER:	FINISH: SEE TABLE	CHECKED:	DWG NO: K08120901
		1:1	mm	MODEL NO:			
				ANGLES: ±1°	SHEET 1 OF 1	APPROVED:	PART NO: SEE TABLE