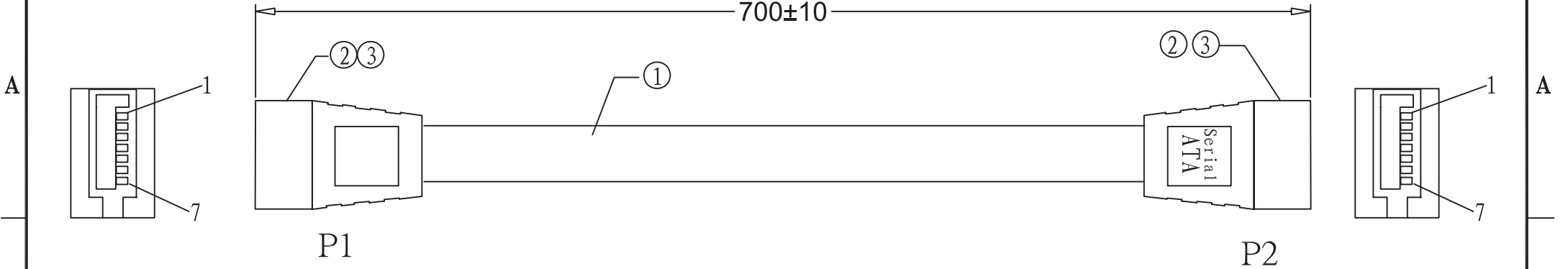
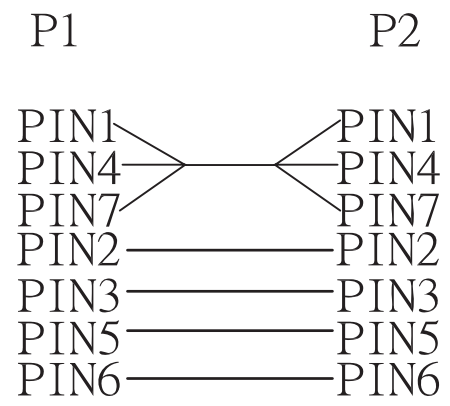


| | | |
|------|-------------|------|
| REV. | DESCRIPTION | DATE |
|------|-------------|------|



Contacts



Notes:

- 1) Test condition:
 - 1) 100% Tested open, Short, Dislocation, Insulation.
 - 2) Insulation impedance: DC.300V 10M OHM(Min);
 - 3) Conductivity impedance: 3.0 OHM(Max).

| | | | | | | | |
|------------|----------|------------|--------|------------------------------|--|--|--|
| UNIT | mm | Projection | | Xmultiple Technologies, Inc. | | | |
| TOLERANCES | | | | TITLE | | | |
| x.x | = ± 0.50 | .x° | ± ---° | SATA 7P cable 700mm length | | | |
| x.xx | = ± 0.10 | .xx° | ± ---° | | | | |
| x.xxx | = ± 0.05 | .xxx° | ± ---° | | | | |

| | | | | |
|------------|-----------|-----------------------------------|------|------|
| ③ | PVC | 45P Black PVC | G | ** |
| ② | Connector | SATA 7P Black | PCS | 1 |
| ① | Wire Spec | [(1/0.30)*2P+AL]+D(1/0.30)*3C Red | PC | 1 |
| ITEM | P/N. | DESCRIPTION | UNIT | Q'TY |
| PARTS LIST | | | | |

| | | | | | | | |
|-------|------|----------|-------------------|-------|-----|-----|---|
| DRAWN | DATE | PART NO. | XCAB-SATA7P-700MM | | | | |
| SCALE | NONE | SIZE | A4 | SHEET | 1/1 | REV | A |