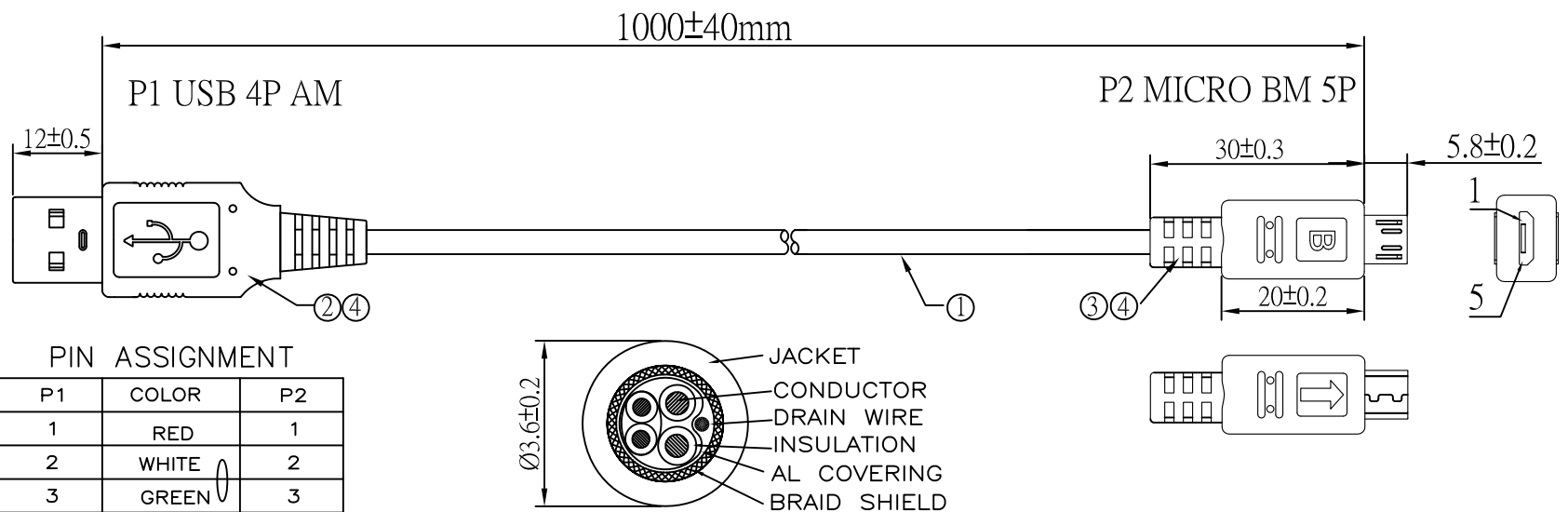


1	2	3	4	5	6	7	8	
Customer	001	Customer P/N:			Rev.	NO.	Description	Date

Tooling No.
USB AM P1: TC082
MICRO USB P2: TC223
MICRO USB P2: TC312



PIN ASSIGNMENT

P1	COLOR	P2
1	RED	1
2	WHITE	2
3	GREEN	3
4	BLACK	5
SHELL	DRAIN/BRAID	SHELL

ELECTRICAL TEST:  
 1.100% OPEN SHORT MIS-WIRE TEST  
 2.CONTACT TESTSTANCE:5 ohm Max  
 3.INSULATION RESISTANCE:10M ohm Min  
 4.HI-POT:300V DC/10ms

5	贴纸	白底黑字	1/50
4	PVC	MOLD 45P PVC C:BLACK	12g
3	CONN2	Micro USB MALE B TYPE 5P PIN GOLD FU" , SOLDER TYPE, 黑色膠芯 外殼鍍鎳 前五後五	1SET
2	CONN1	USB MALE A TYPE 4P, PIN GOLD FU" , SOLDER TYPE, 白色膠芯 外殼鍍鎳 三件式	1SET
1	CABLE	UL 2725 28AWG (7/0.127TS)*1P+28AWG(7/0.127TS)*2C+ AL+D(裸銅)+B(鋁鎂 64編) OD : 3.6±0.2mm C :BK L=1M	1PCS
NO.	ITEM	DESCRIPTION	QTY

**RoHS**  
compliant

			FILE.NO.	XUSB-JP-UC-2MBE5-ALT				
			DAW.NO.	XUSB-JP-UC-2MBE5-ALT				
DESCRIPTION: USB2.0 AM TO MICRO BM 5P			Rev	A/0		Unit	Scale	Date
			Page/NO.			mm	N.A	2015.11.30
Drawn by	SFX	Checked by	Approved by					