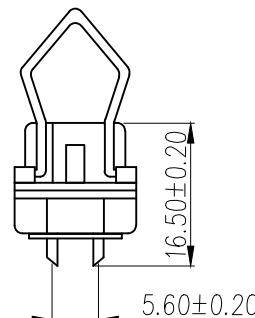
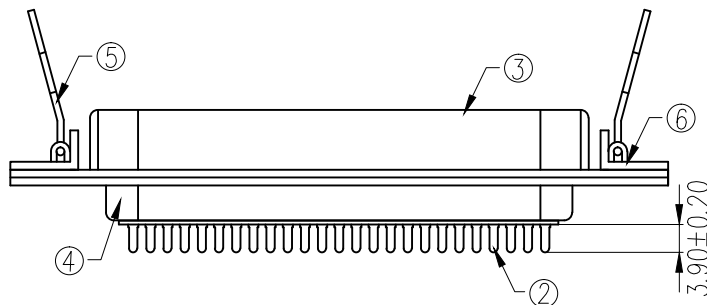
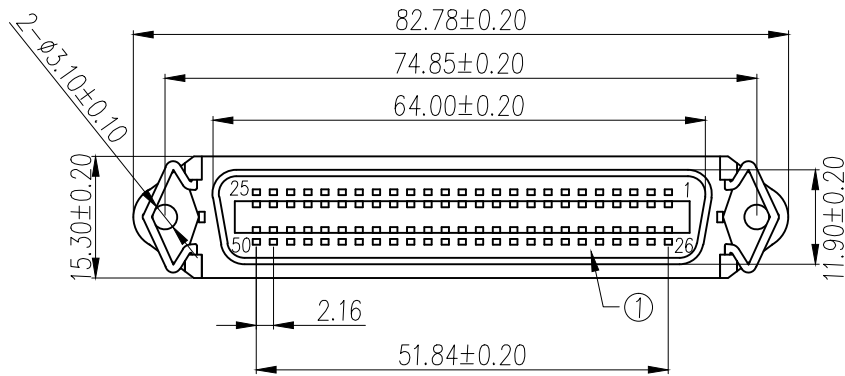


REV.	ECN NO	LOCATIONS	DESCRIPTION	DATE	REVISER	APPD

Note:

Specification:

1. Current rating: 1 A Max.
2. Dielectric withstanding voltage: 500 V(ac) for 1 minute.
3. Contact resistance: 30 mΩ Max.
4. Insulation resistance: 1000 MΩ Min at DC 500V.
5. Insertion force: 7.0 Kgf Max.
6. Extraction force: 3.0 Kgf Min.
7. Temperature range: -55°C~+105°C



6	Trangle	2	Cold Rolled Steel	T=0.60mm	Cu: 40u"min. 80u"min Nickel Plated
5	Spring	2	Stainless	Ø0.9	Cu: 40u"min. 80u"min Nickel Plated
4	Back-shell	1	Cold Rolled Steel	T=0.40mm	Cu: 40u"min. 80u"min Tin Plated
3	Front-shell	1	Cold Rolled Steel	T=0.60mm	Cu: 40u"min. 80u"min Nickel Plated
2	Contact	50	Brass	T=0.25mm	Contact area: 0.8u"min Gold Plated over 40u"Nickel min. Solder area: 80u"min Tin Plated over 40u"Nickel min.
1	Housing	1	P.B.T	UL 94-V0	Black/White/Blue
No.	Name	Q'ty	Material	Remarks & Thickness	Finish

PART NO:		MATERIAL:		XMULTIPLE	
MODEL NO:		FINSH:			
UNIT: mm	SIZE: A4	COLOR:		PART NAME:	
TOLERANCE UNSPECIFIED		DR: Huang 06/24 '15		CENTRONIC 50PIN(F) SOLDER	
.x	±0.30	CHK: Song	06/24 '15	DWG NO: XCS-D-CENTRONIC 50PIN(F) SOLDER-AVY	REV: A0
.xx	±0.20	APP: Kent	06/24 '15	SCALE: 1:1	SHEET: 1 of 1
.xxx	±0.10				
ANG.	±1°				

ROHS Compliant