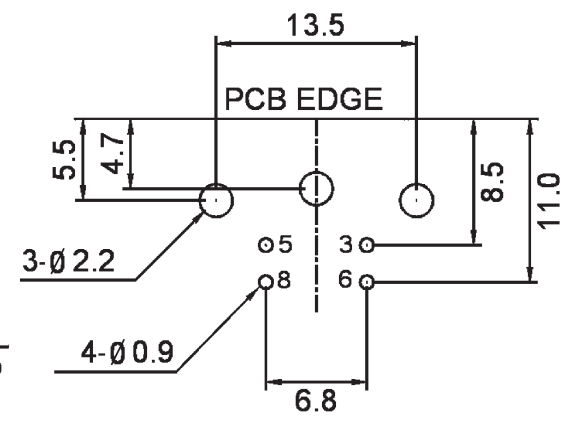
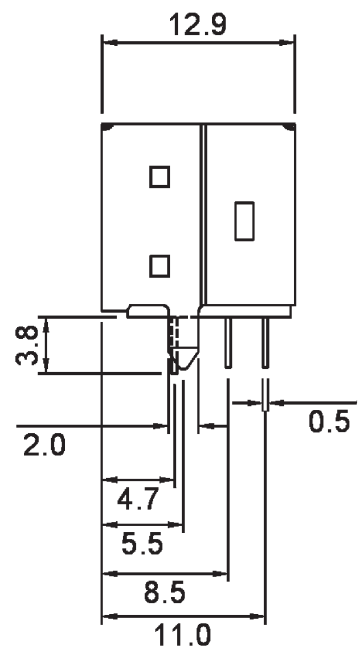
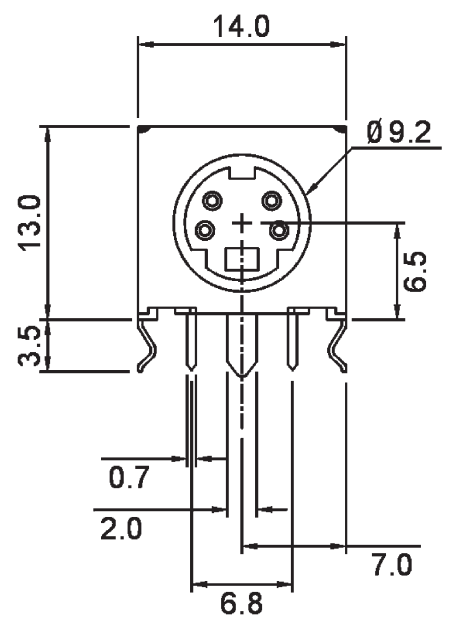
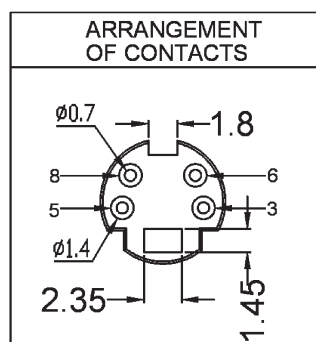
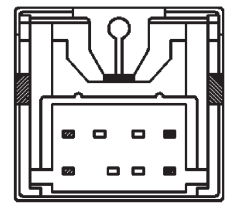


REV.	ECN NO.	DATE
A	Released	02/25/2009
B	1221/10	12/21/2010



PCB LAYOUT
(BOTTOM VIEW)



Specifications:

Electrical:

- * Contact Resistance: 30mΩ Max
- * Insulator Resistance: 100MΩ Min. at 500V DC
- * Voltage rating & Current: DC 12V 2A Max ; AC 100V 1A Max.
- * Dielectric Voltage: 250V AC for 1 minute R.M.S.
- * Durability (life test): 100 cycles

Mechanical:

- * Insertion force: 4.0kg max.
- * Extraction force: 0.9kg Min.

How to Order:

XDIN - MDJ04 - 4 - x - K - 0 - 0 - x

Plating (Contact)
G: gold flash
G15: 15u" gold

Color
B: Black
E: Green
P: Purple

RoHS Compliant

4	Bottom cover	1	PBT G.F.		Black
3	Shield	1	Brass	Tin	t=0.3
2	Contact	4	Phosphor Bronze	Gold/Tin	t=0.2
1	Housing	1	PBT G.F.		Black
NO.	Part Name	Qty	Material	Plated	Remark

Scale		Drawn by	ANGLIA
Unit	mm	Checked by	Kevin
Tolerance		Sheet	1 of 1
.X	± 0.25	Projection	
.XX	± 0.13		
.XXX	± 0.05		
ANG.	=		

XMULTIPLE	
Name: Mini Din Jack, 4 pins Full shielded, with Kink legs	
Part number	XDIN-MDJ04-4-x-K-0-0-x
Drawing no.	MDJ04-4-x-K-0-0-x