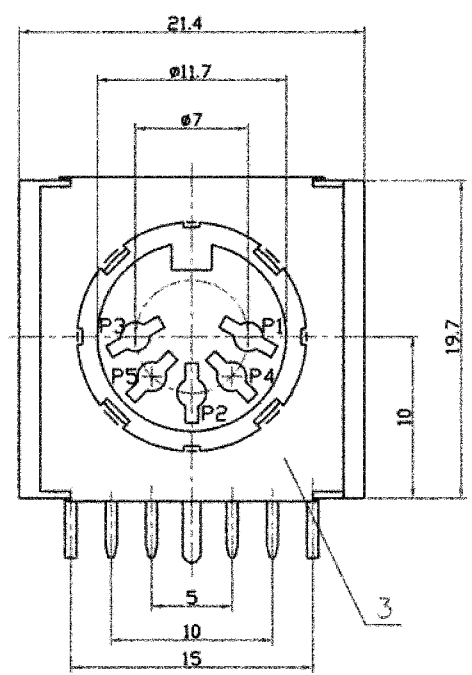
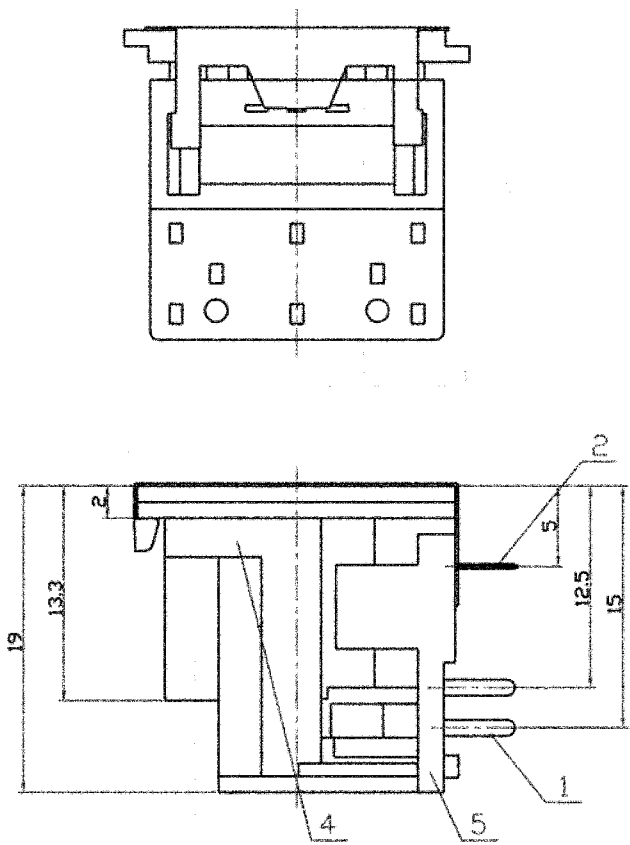
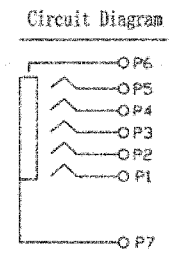
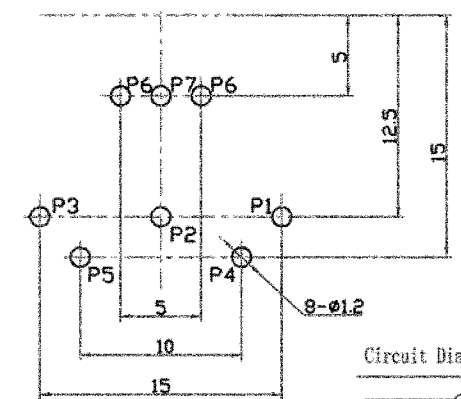


**RoHS Compliant**  
**Drawing For Reference Only**



Dimensions of PC board holes (Comment)  
 Bottom View (t=1.6mm) ⊕



Technical requirement :

1. This product should meet EU RoHS related requirement.
2. The surface of plastic part should be without any crackle such as burr,lack,and so on phenomenon.
3. The surface of metal part should be without any defect such as scour,nick,oxidation and plating problem.
4. The electronic performance should be the same as spec.
5. The un-specified tolerance is : <math>6 \pm 0.2</math>  
 6~20<math>\pm 0.3</math>  
 >20<math>\pm 0.4</math>

5	Cover	1	PBT	
4	Base	1	PBT	
3	Shield Patch	1	QSn6.5-0.1 t=0.2	CuSn
2	Earth Line	1	QSn6.5-0.1 t=0.3	CuSn
1	Contact Needle	5	H62 Brass t=0.6	Ag
No.	Name	QTY	Material	Plating

**XMULTIPLE TECHNOLOGIES, INC.**

Design			K.W Law	Remark	Scale		
Drawing			S.M Hung	Remark	Material		
Item Name	DIN SOCKET	Tolerance :	Check	K.L Wong	Remark	Drawing No.	110225-1128
Item No.	XDIN-DN-102-5(BZ)	Unit : mm ⊕	Approval	K.W Chan	Remark	Sheet	