

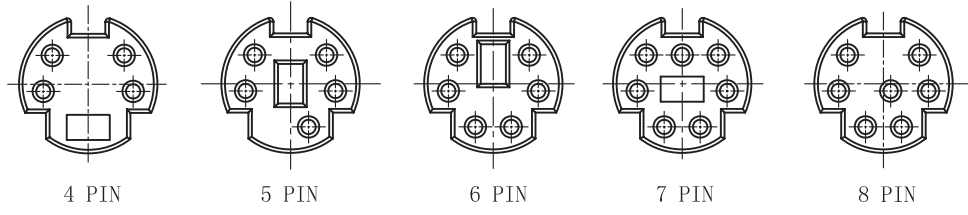
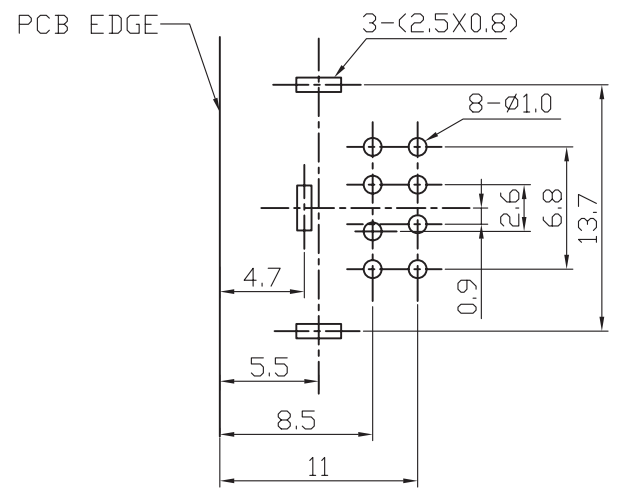
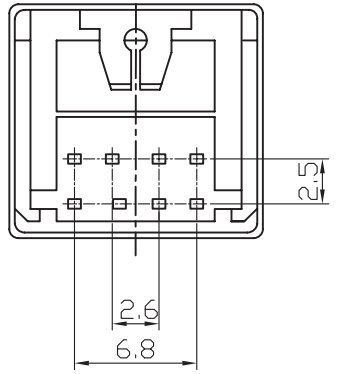
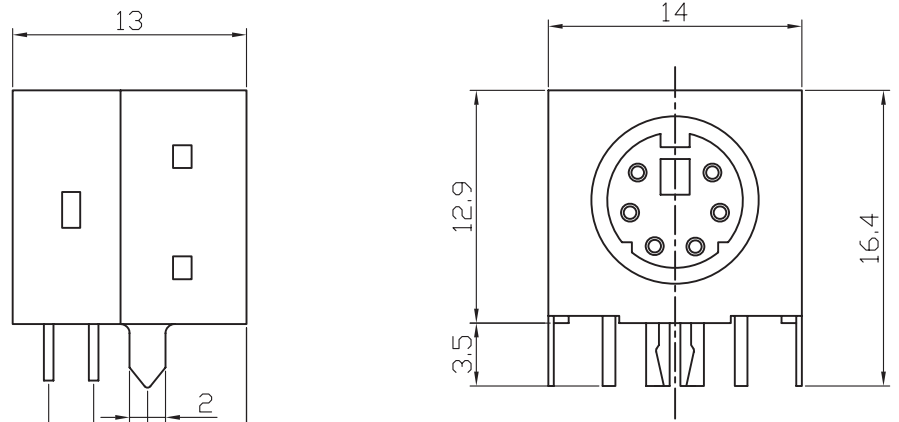
REV.	DESCRIPTION	DRAWN	CHECKED	APPROVED
A	NEW RELEASE	HP 06/10/05'		

NOTES:

- SPECIFICATIONS:
 - VOLTAGE RATING: 30V DC.
 - CONTACT CURRENT RATING: 1A MAX. PER PIN.
 - CONTACT RESISTANCE: 30 MILLIOHMS MAX.
 - DIELECTRIC WITHSTANDING VOLTAGE: 500V AC(rms) FOR 1 MINUTE.
 - INSULATION RESISTANCE: 1000 MEGAOHMS MIN.
 - OPERATING TEMPERATURE: -20°C~+80°C.

2. PRODUCT NUMBER CODE:
XDIN-MD481A - X X X X

- Contact plating
0: Selective Gold Flash
- No. of contacts:
4 5 6 7 8
- Shell Plating:
N: Nickel
6: Tin
- Color of housing
B: Black
G: Green
P: Purple
- Series No.
XDIN-MD481A



GENERAL TOLERANCE		ANGLE TOLERANCE		PROJECTION		TITLE	
X.	±0.60	X.	±5°	UNITS	mm	MINI DIN 803 TYPE	
.X	±0.38	.X	±3°	SHEET SIZE	A4	SERIES	XDIN-MD481A
.XX	±0.25	.XX	±2°	<h1>Xmultiple Technologies, Inc.</h1>			
DRAWING TYPE		CUSTOMER					
SCALE	1:1	SHEET	1 OF 1				
DRAWING NO.		C-DS1093-01-XXXXX					

RECOMMEND PCB LAYOUT(TOLERANCE=±0.05)