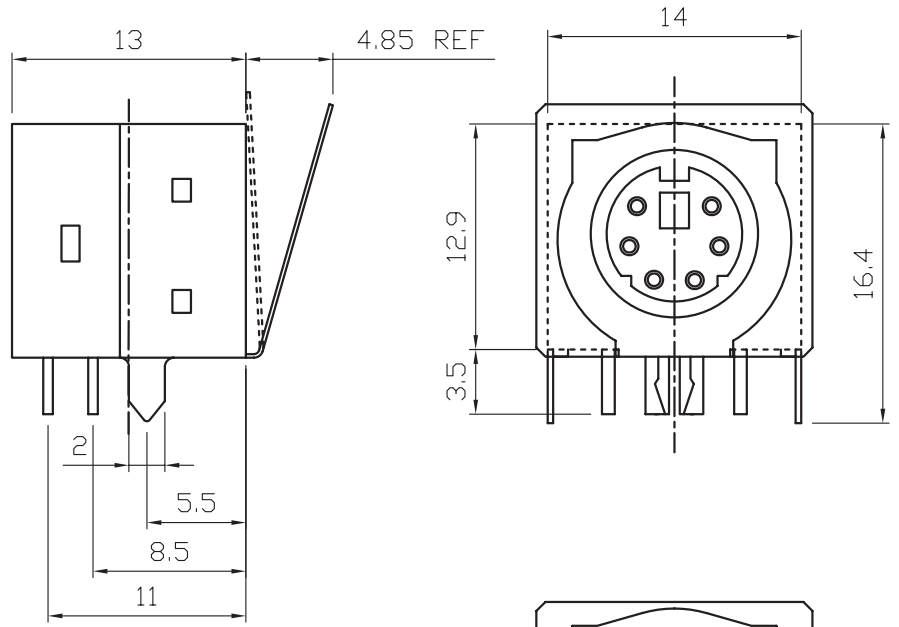


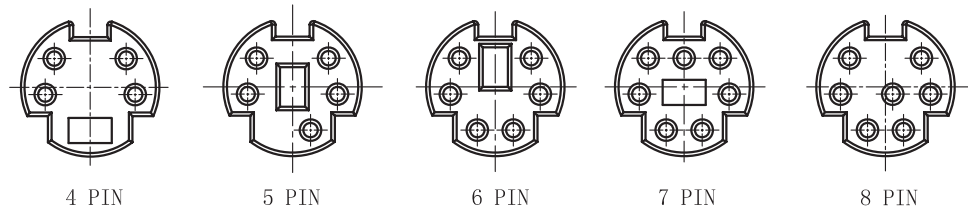
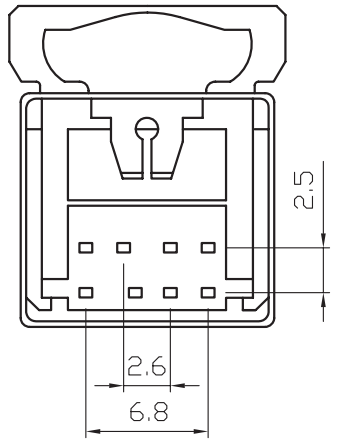
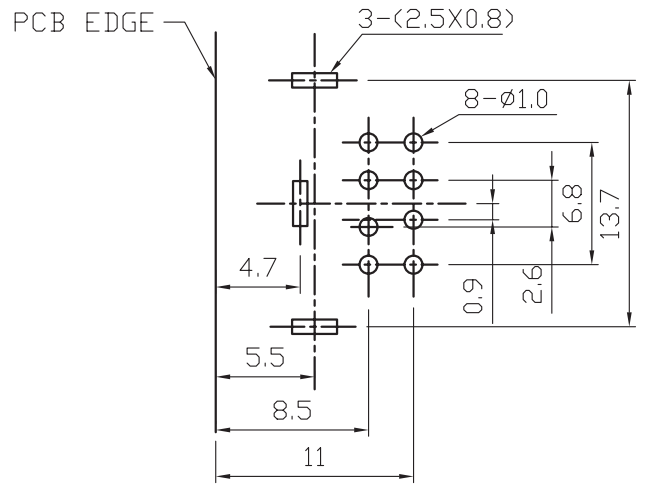
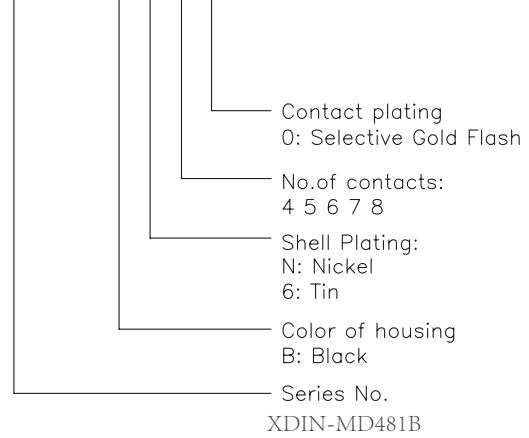
REV.	DESCRIPTION	DRAWN	CHECKED	APPROVED
A	NEW RELEASE	HP 06/10/05'		



NOTES:

- SPECIFICATIONS:
 - VOLTAGE RATING: 30V DC.
 - CONTACT CURRENT RATING: 1A MAX. PER PIN.
 - CONTACT RESISTANCE: 30 MILLIOHMS MAX.
 - DIELECTRIC WITHSTANDING VOLTAGE: 500V AC(rms) FOR 1 MINUTE.
 - INSULATION RESISTANCE: 1000 MEGAOHMS MIN.
 - OPERATING TEMPERATURE: -20°C~+80°C.
- PRODUCT NUMBER CODE:

XDIN-MD481B - X X X X



RECOMMEND PCB LAYOUT(TOLERANCE=±0.05)

GENERAL TOLERANCE	ANGLE TOLERANCE	PROJECTION	TITLE	MINI DIN 824 TYPE	
X. ±0.60	X. ±5°	UNITS	mm		
.X ±0.38	.X ±3°	SHEET SIZE	A4	SERIES	XDIN-MD481B
.XX ±0.25	.XX ±2°				
DRAWING TYPE	CUSTOMER	<h1>Xmultiple Technologies, Inc.</h1>			
SCALE	1:1 SHEET 1 OF 1				
DRAWING NO.	C-DS1093-02-XXXX				