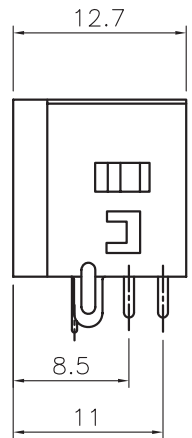
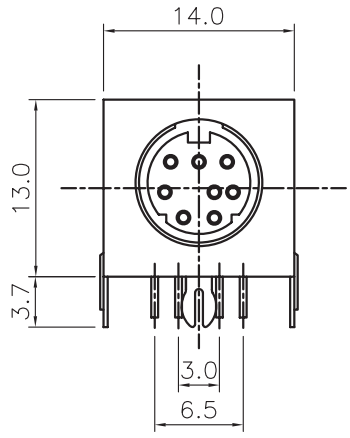


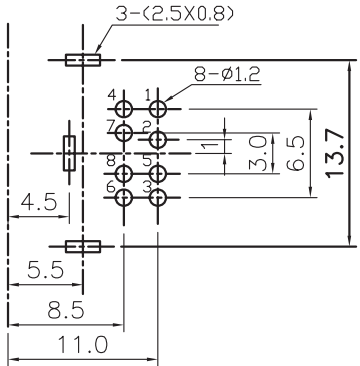
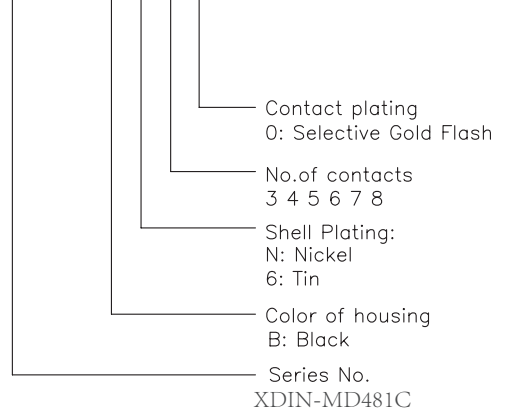
REV.	DESCRIPTION	DRAWN	CHECKED	APPROVED
A	NEW RELEASE	LJH07/17/05'		



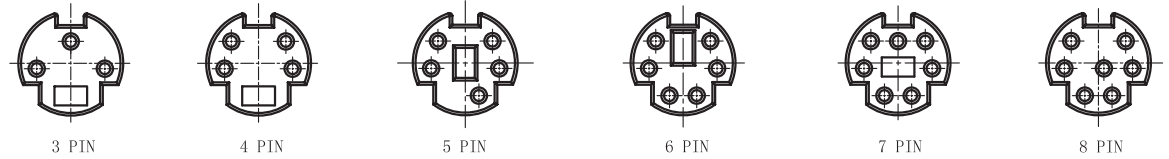
NOTES:

- SPECIFICATIONS:
 - VOLTAGE RATING: 30V DC.
 - CONTACT CURRENT RATING: 1A MAX. PER PIN.
 - CONTACT RESISTANCE: 30 MILLIOHMS MAX.
 - DIELECTRIC WITHSTANDING VOLTAGE: 500V AC(rms) FOR 1 MINUTE.
 - INSULATION RESISTANCE: 1000 MEGAOHMS MIN.
 - OPERATING TEMPERATURE: -20°C~+80°C.

2. PRODUCT NUMBER CODE:
XDIN-MD481C - X X X X



RECOMMEND PCB LAYOUT(TOLERANCE=±0.05)



GENERAL TOLERANCE		ANGLE TOLERANCE		PROJECTION		TITLE	MINI DIN 901 TYPE		
X.	±0.60	X.	±5°	UNITS	mm	SHEET	XDIN-MD481C		
.X	±0.38	.X	±3°	SHEET SIZE	A4	SERIES			
.XX	±0.25	.XX	±2°						
DRAWING TYPE		CUSTOMER			<h1>Xmultiple Technologies, Inc.</h1>				
SCALE		1:1	SHEET	1 OF 1					
DRAWING NO.		C-DS1093-03-XXXX							