

REV.	DESCRIPTION	DRAWN	CHECKED	APPROVED
A	NEW RELEASE	LJH07/17/05'		

NOTES:

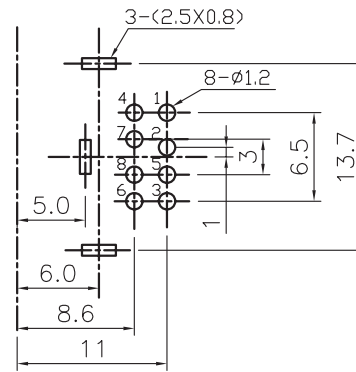
1. SPECIFICATIONS:

- 1.0 VOLTAGE RATING: 30V DC.
- 1.1 CONTACT CURRENT RATING: 1A MAX. PER PIN.
- 1.2 CONTACT RESISTANCE: 30 MILLIOHMS MAX.
- 1.3 DIELECTRIC WITHSTANDING VOLTAGE: 500V AC(rms) FOR 1 MINUTE.
- 1.4 INSULATION RESISTANCE: 1000 MEGAOHMS MIN.
- 1.5 OPERATING TEMPERATURE: -20°C~+80°C.

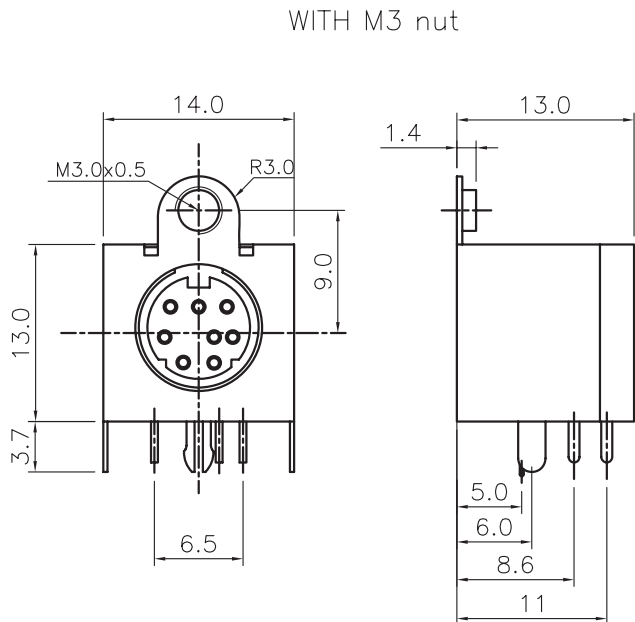
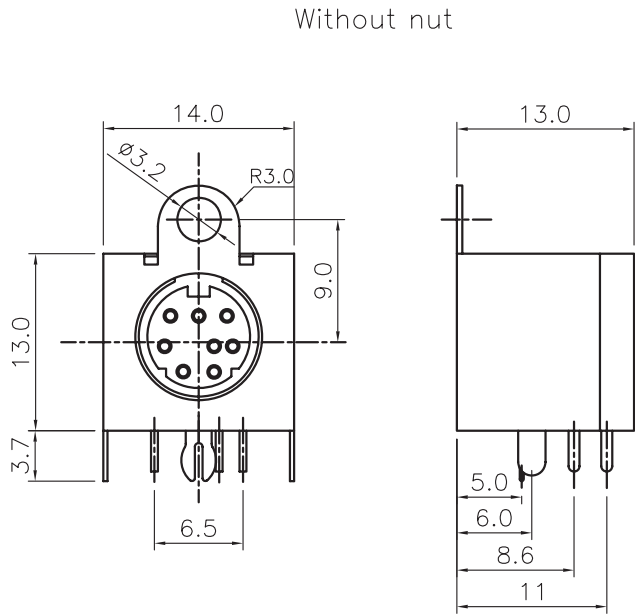
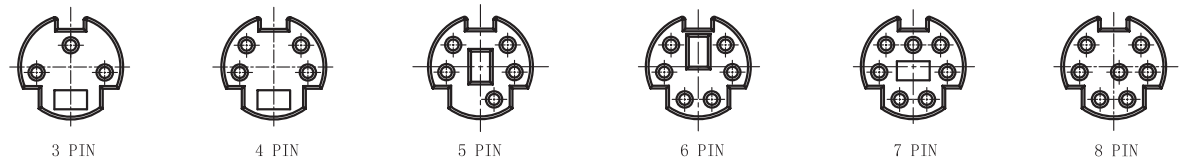
2. PRODUCT NUMBER CODE:

XDIN-MD481D - X X X X X

- Nut support
- X: W/O nut
- S: W/ nut(M3)
- Contact plating
- 0: Selective Gold Flash
- No. of contacts:
- 3 4 5 6 7 8
- Shell Plating:
- N: Nickel
- 6: Tin
- Color of housing
- B: Black
- Series No.
- XDIN-MD481D



RECOMMEND PCB LAYOUT(TOLERANCE=±0.05)



GENERAL TOLERANCE		ANGLE TOLERANCE		PROJECTION	TITLE
X.	±0.60	X.	±5°	mm	MINI DIN 810 TYPE
.X	±0.38	.X	±3°	A4	SERIES
.XX	±0.25	.XX	±2°		XDIN-MD481D
DRAWING TYPE		CUSTOMER		Xmultiple Technologies, Inc.	
SCALE		1:1 SHEET 1 OF 1			
DRAWING NO.		C-DS1093-04-XXXXX			