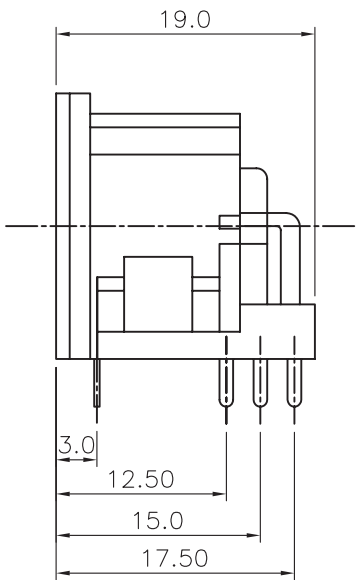
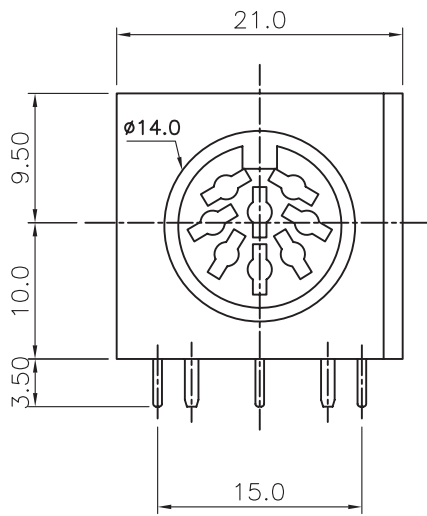


REV.	DESCRIPTION	DRAWN	CHECKED	APPROVED
A	NEW RELEASE	LJH07/18/05'		

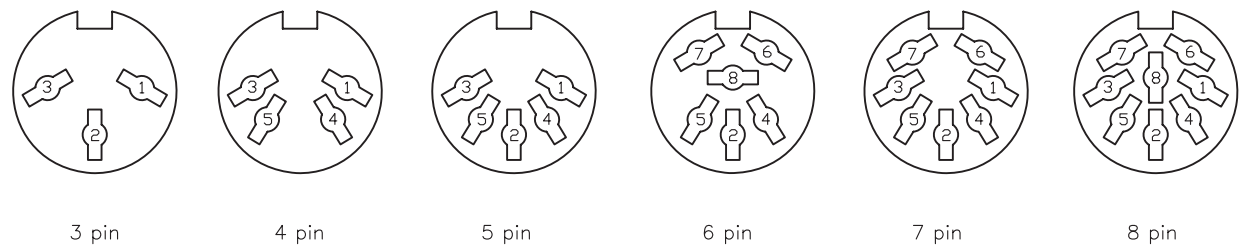
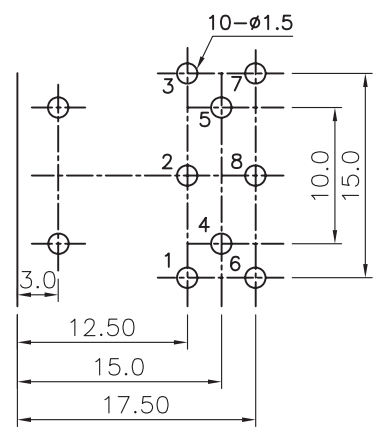


NOTES:

- SPECIFICATIONS:
 - VOLTAGE RATING: 30V DC.
 - CONTACT CURRENT RATING: 1A MAX. PER PIN.
 - CONTACT RESISTANCE: 30 MILLIOHMS MAX.
 - DIELECTRIC WITHSTANDING VOLTAGE: 500V AC(rms) FOR 1 MINUTE.
 - INSULATION RESISTANCE: 1000 MEGAOHMS MIN.
 - OPERATING TEMPERATURE: -20°C~+80°C.

2. PRODUCT NUMBER CODE:
 XDIN-MD481G - X X X X X

- Shell support
- X: W/O Shell
- S: W/ Shell
- Contact plating
- O: Selective Gold Flash
- No. of contacts:
4 5 6 7 8
- Shell plating
- N: Nickel
- Color of housing
- B: Black
- Series No.
XDIN-MD481G



RECOMMEND PCB LAYOUT(TOLERANCE=±0.05)

GENERAL TOLERANCE	ANGLE TOLERANCE	PROJECTION		TITLE	MINI DIN 804 W/O SHELLTYPE		
X. ±0.60	X. ±5°	UNITS	mm	SHEET SIZE	A4	SERIES	
.X ±0.38	.X ±3°					XDIN-MD481G	
.XX ±0.25	.XX ±2°						
DRAWING TYPE	CUSTOMER		<h1>Xmultiple Technologies, Inc.</h1>				
SCALE	1:1	SHEET					1 OF 1
DRAWING NO.	C-DS1093-07-XXXX						