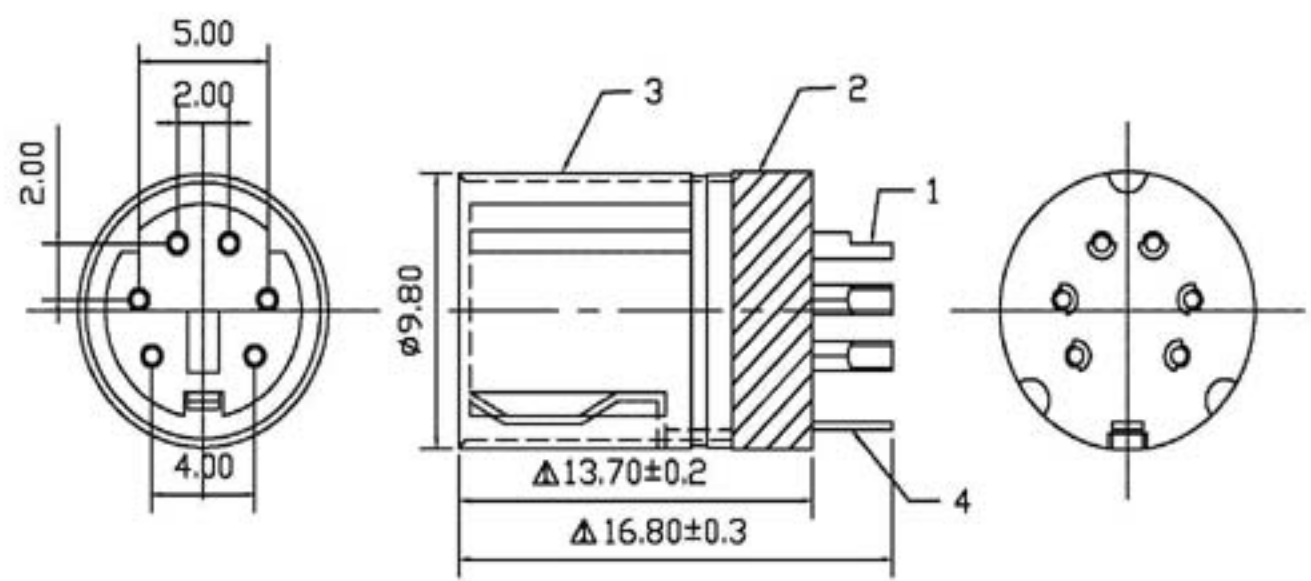


RevNo	ECN No.	Revision note	Date	Signature	Checked
△	SSE07110701	產品生產實配的需求	2007/11/07		Vendy
△					



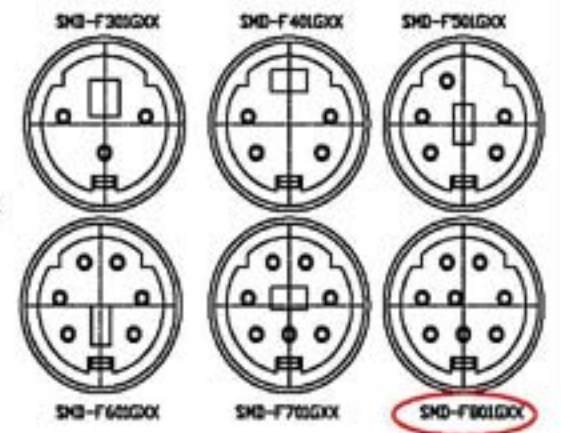
1.BOM

No.	DESCRIPTION	QTY	MATERIAL	FINISH
4.	SPRING	1	BRASS	TIN
3.	SHELL	1	BRASS	NICKEL
2.	INSULATOR	1	PBT UL 94-V0	BLACK
1.	PIN	6	BRASS	SEE TABLE

3. 电气性能:

额定功率: 100V AC 1A MAX OR 12V DC 2A MAX
 绝缘阻抗: 50M欧姆MIN AT 250V DC
 耐电强度: 250V AC/1 MINUTE.
 插拔力: 插入力: 4.5kgf MAX 拔出力: 1.0~3.0kgf (特殊要求高拉力为 3.0kgf min)

4. 3~8P 视图



2.PLATING

XX	Plated	XX	Plated
01	Ti Plated	02	Sn/Gold/Ti Plated
06	Silver Plated	03	Sn/Ti Plated
09	Gold Salt Plated	05	Sn/Gold/Ti Plated
11	Gold Semi/Ti Plated	08	

XMULTIPLE

Approved by	Checked by	Drawn by	Tolerance	Unit	mm	Part No.	XDIN-SMD-FX01GXX	Shrinkage
		Eva	±0.5'	Scale	4:1	Title		MAT.L:
			x.xx±0.2 x.xxx±0.10 x.xxxx±0.05	Edition	A/1	3-8P 杯口母頭+地線(9.8# 16.8L)		Surface Process

A4 sheet 1 of 1