

ELECTRICAL CHARACTERISTICS:

CONTACT CURRENT RATING: 1 AMPERES.
 DIELECTRIC WITHSTANDING VOLTAGE: AC 500V R.M.S
 INSULATION RESISTANCE: 500 MEGOHMS MINIMUM AT DC 500V.
 CONTACT RESISTANCE: 30 MILLIOHMS MAXIMUM.
 OPERATING TEMPERATURE: -55C TO 105C.

MECHANICAL CHARACTERISTICS:

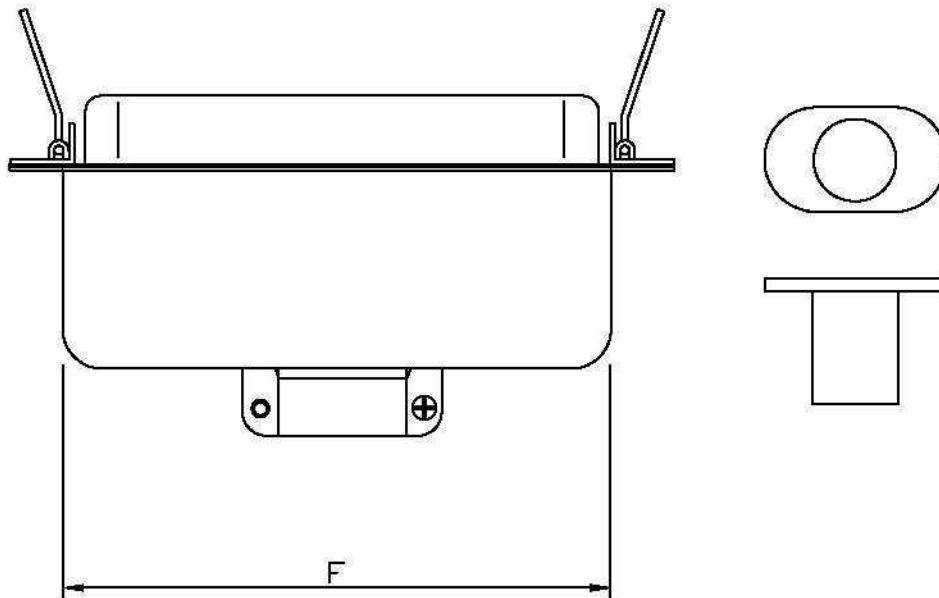
CONTACT INSERTION FORCE: KG MAXIMUM.
 CONTACT SEPARATION FORCE: KG MINIMUM.

MATERIALS:

CONTACT: BRASS..
 INSULATOR: P.B.T. UL 94-V0 RATED.
 SHELL: COLD ROLLED STEEL.
 HOOD: COLD ROLLED STEEL.

FINISHES:

CONTACTS:GOLD PLATED 3u" ,5u" ,10u" ,15u" ,30u" .
 SHELL:NICKEL PLATED.



PIN NO.	A±0.2	B±0.2	C±0.2	D±0.03	E±0.2	F±0.2	UNIT	mm	Projection		Xmultiple Technologies Inc.			
14	43.92	35.99	25.2	12.25	11.9	29.0	TOLERANCES				TITLE			
24	54.71	46.79	36.0	12.25	11.9	39.8	AS DRAWING				Centronic Female 180 degree Dip Connector with Hood			
36	67.69	59.74	48.9	12.25	11.9	53.0	DRAWN		DATE	2001/03/06	PART NO.	XDS-CN-SXXFH		
50	82.78	74.85	64.0	12.25	11.9	68.1	SCALE	1:1	SIZE	A4	SHEET	1/1	REV	A