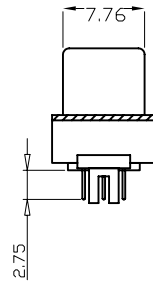
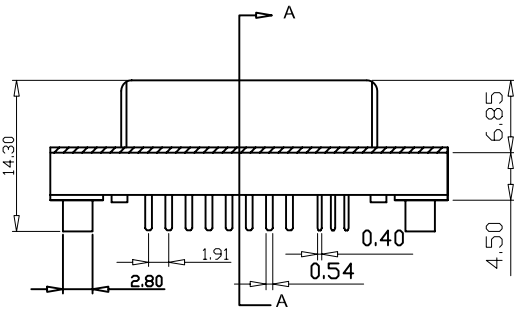


XDVI-P1-29-1-003

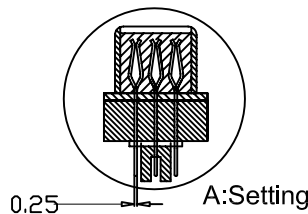
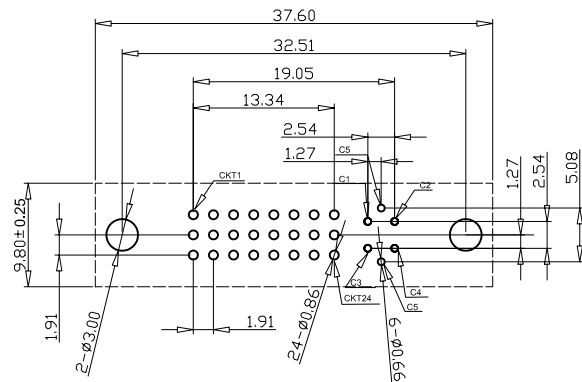
XDVI SERIES NUMBER OF PIN RUNNING No.

P : PLUG PIN PLATING
1 : GOLD FLASH



NOTES:

- MATERIAL**
 BODY: PBT30% UL 94V-0 RATED, COLOR: BLACK
 LATCH: PBT30% UL 94V-0 RATED, COLOR: BLACK
 CONTACTS: BRASS
 CONTACT PLATING: GOLD FLASH PLATING OVER NICKEL ON CONTACT AREA TIN PLATING ON TERMINAL
- MECHANICAL**
 MATING FORCE: 4.5 KG MAX. @ 25 MM/MINUTE
 UNMATING FORCE: 1.0 KG MIN. AND 4.0 KG MAX. @25 MM/MINUTE
 DURABILITY: 100 MATING CYCLES
- ELECTRICAL SPECIFICATION**
 INSULATION RESISTANCE: 1000 MEGOHMS MIN
 DIELECTRIC WITHSTANDING VOLTAGE: 500V DC RMS ±50V, 60HZ
 CURRENT RATING: 1.5 AMPERES MIN
 SHELL RESISTANCE: 50 MILIOHMS MAX.INITIAL; 50 MILIOHMS MAX.CHANGE FROM INITIAL
 CONTACT RESISTANCE: 20 MILIOHMS MAX.
- ENVIRONMENTAL**
 OPERATING TEMPERATURE: -20° TO 85°
- UNSPECIFIED TOLERANCE:**
 .XX ±0.25[0.010]
 .X ±0.30[0.012]



SUGGESTED PCB LAYOUT
TOP VIEW
 DIMENSIONAL TOLERANCE: .XX ±0.08[0.003]

RoHS Compliant

X MULTIPLE		THE INFORMATION AGE	
<small>XMULTIPLE ASIA 4F, No. 347, Yang Guang St., Neihu, Taipei, Taiwan 11475</small>		<small>XMULTIPLE USA 1420 Los Angeles Ave., Suite G, Simi Valley, CA 93065</small>	
THIS DRAWING IS A CONTROLLED DOCUMENT.		G/NO: XDVI-P1-29-1-003	
TITLE: DVI 180° 24+5		DRAWN: RUNES	
PART NO: XDVI-P1-29-1-003		CHKD: JEFF	
	UNIT: mm[inch]		SHEET: 1 of 1
	REV: 01		DATE: Feb.02.07