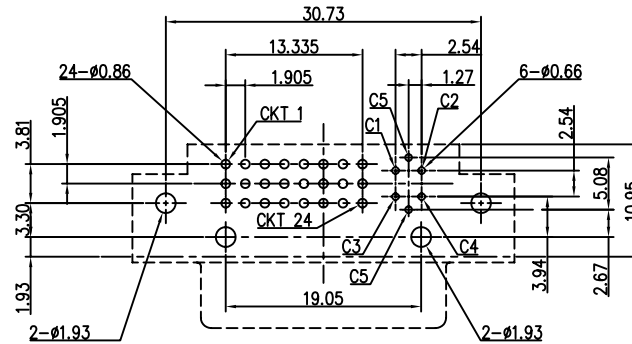
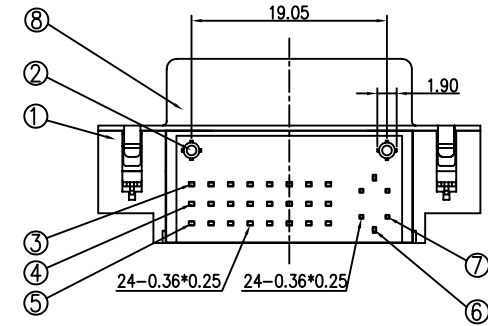
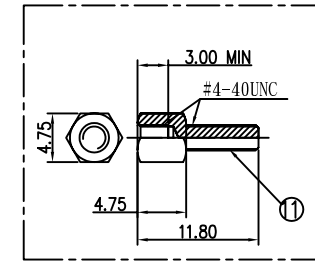
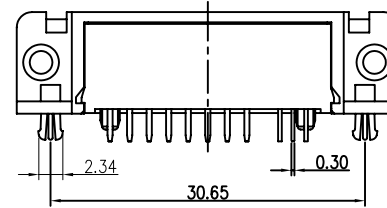


SECTION A-A
SCALE 1:1



RECOMMENDED PCB LAYOUT
DIMENSIONAL TOLERANCE: .XX ±0.08(0.003)

NOTE :

- MATERIAL:
INSULATOR:PBT THERMOPLASTIC,30% GLASS FILLED,UL94V-0 COLOR:WHITE
COVER:PBT THERMOPLASTIC,30% GLASS FILLED,UL94V-0
CONTACTOR-1/-2/-3:PHOSPHOR BRONZE,0.30mm THICKNESS.
GROUND BLADE:PHOSPHOR BRONZE,0.30mm THICKNESS
CONTACTOR -SMALL:PHOSPHOR BRONZE,0.25mm THICKNESS
SHELL FRONT:SPCC,0.50mm THICKNESS
BOARD LOCK:BRASS,0.40mm THICKNESS
SCREW-1/-2:COPPER #4-40UNC
- PLATING:
TERMINAL CONTACT AREA PLATING GOLD.
SOLDER TAIL:TIN(Sn),THICKNESS=100 MICREINCH MIN
UNDER PLATE(NI),THICKNESS=50 MICROINCH MIN
SHELL FRONT:NICKEL(NI),THICKNESS=60 MICROINCH MIN ALL GOLD,G/F
BOARD LOCK:TIN(Sn),THICKNESS=80 MICREINCH MIN
SCREW:NICKEL(NI),THICKNESS=50 MICROINCH MIN ALL GOLD,G/F
- SPECIFICATION:
3.1.CURRENT RATING: 5 Amp 40V (AC)
3.2.CONTACT RESISTANCE: 20m ohms Max.mated
3.3.INSULATION RESISTANCE:1G ohms Min.
3.4.DIELECTRIC WITHSTANDING VOLTAGE:
AC 500V Min. (for 1 minute)
3.5.OPERATION TEMPERATURE RANGE:-20°C~85°C
- MECHANICAL
4.1.INSERTION FORCE:4.5KGF MAXMUM
4.2.WITHDRAWAL FORCE:1.0KGF MINIMUM;4.0KGF MAXMUM
- UNSPECIFIED TOLERANCE:
.XXX ±0.10 [0.004]
.XX ±0.25 [0.010]
.X ±0.30 [0.012]

RoHS Compliant

11	SCREW	COPPER(4-40UNC)	NICKE/TIN/GOLD		2
10	SCREW	COPPER(4-40UNC) 4. 75*1. 60	NICKE/TIN/GOLD		2
9	BOARD LOCK	BRASS	NICKE/TIN/GOLD	0. 40mm	2
8	SHELL FRONT	SPCD	NICKE/TIN/GOLD	0. 50mm	1
7	CONTACTOR-SAMLL	PHOSPHOR BRONZE.	G/F; *U*; GOLD ALL*U*	0. 25mm	4
6	GROUND BLADE	PHOSPHOR BRONZE.	G/F; *U*; GOLD ALL*U*	0. 30mm	1
5	CONTACTOR-3	PHOSPHOR BRONZE.	G/F; *U*; GOLD ALL*U*	0. 30mm	8
4	CONTACTOR-2	PHOSPHOR BRONZE.	G/F; *U*; GOLD ALL*U*	0. 30mm	8
3	CONTACTOR-1	PHOSPHOR BRONZE.	G/F; *U*; GOLD ALL*U*	0. 30mm	8
2	BACK COVER	PBT + 30%G. F. , UL 94V-0			1
1	INSULATOR	PBT + 30%G. F. , UL 94V-0			1
NO.	PART NAME.	DESCRIPTION	PLATING	THICKNESS	Q' TY

X MULTIPLE		THE INFORMATION AGE	
XMULTIPLE ASIA 4F, No. 347, Yang Guang St., Nelu, Taipei, Taiwan 11475		XMULTIPLE USA 1420 Los Angeles Ave., Suite G, Simi Valley, CA 93065	
THIS DRAWING IS A CONTROLLED DOCUMENT.		G/NO: DWG NO: XDVI-S1-29-1-002	
TITLE: DVI 24+5-90° DIP CONNECTOR		DRAWN: RUNES	
PART NO: XDVI-S1-29-1-002		CHKD: JEFF	
		UNIT mm[inch]	SHEET 1 of 1
		REV C	DATE: Feb.21,08