

XF-TGD72XXD

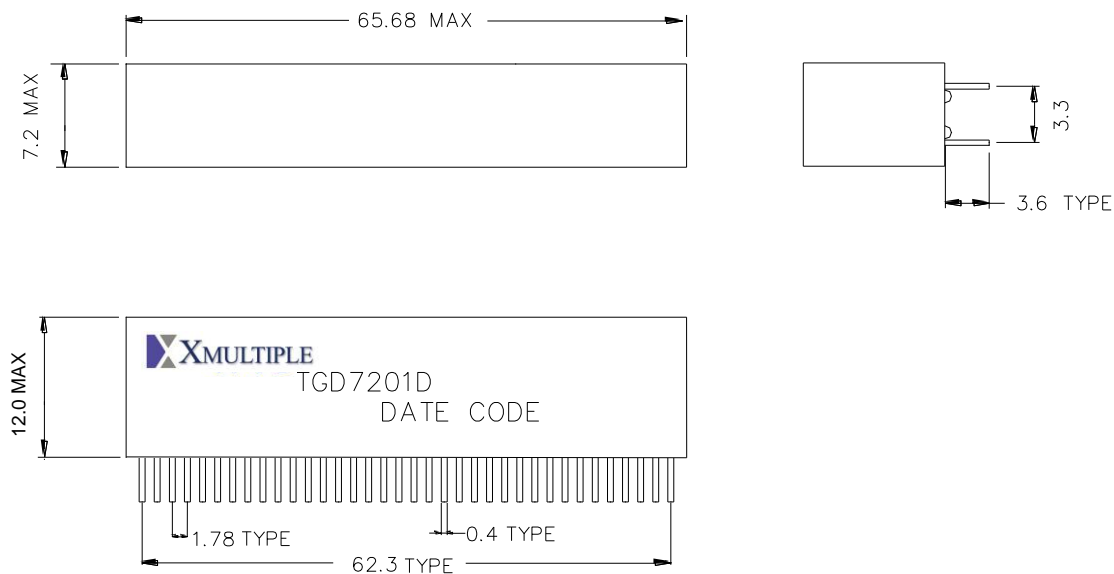
- Designed To Meet IEEE802.3 And ANSI X3.263 Standards
- Compliant With IEEE802.3ab Standard For 1000Base-T.
- Supports 4 Pairs of category 5 UTP Cable
- For ROHS part Add Suffix G

ELECTRICAL SPECIFICATIONS @ 25°C - Operating Temperature 0°C to +70°C

Part Number	Insertion Loss (dB max)		Return Loss (dB min)				CMRR (dB min)			Crosstalk (dB min)		
	1-100Mhz	1-30MHz	40MHz	50MHz	60-80MHz	100MHz	1-30MHz	30-60MHz	60-125MHz	30MHz	60MHz	100MHz
XF-TGD7201D	-1.0	-18	-14.4	-13.1	-12	-10	-40	-35	-30	-40	-35	-30
XF-TGD7201B	-1.0	-18	-14.4	-13.1	-12	-10	-40	-35	-30	-40	-35	-30
XF-TGD7201E	-1.0	-18	-14.4	-13.1	-12	-10	-40	-35	-30	-40	-35	-30
XF-TGD7202B	-1.0	-16	-16	-14.1	-12.5	-10	-40	-35	-30	-40	-35	-30

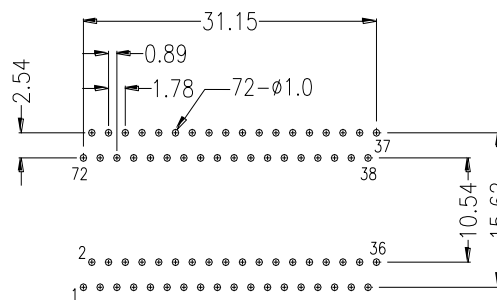
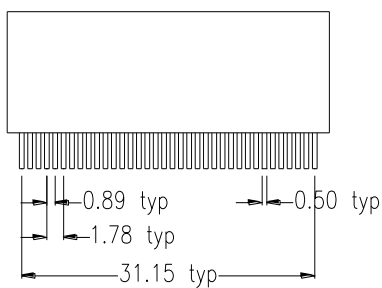
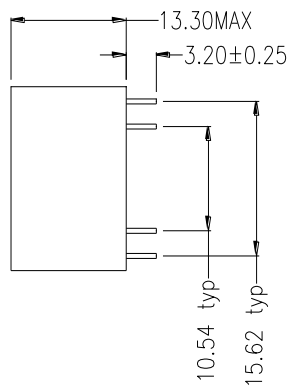
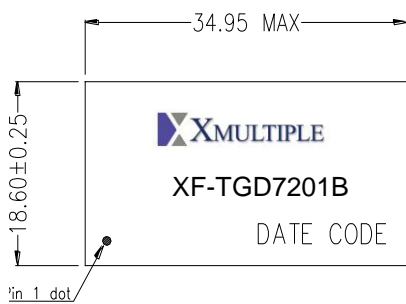
MECHANICAL SPECIFICATIONS

XF-TGD7201D



MECHANICAL SPECIFICATIONS

XF-TGD7201B

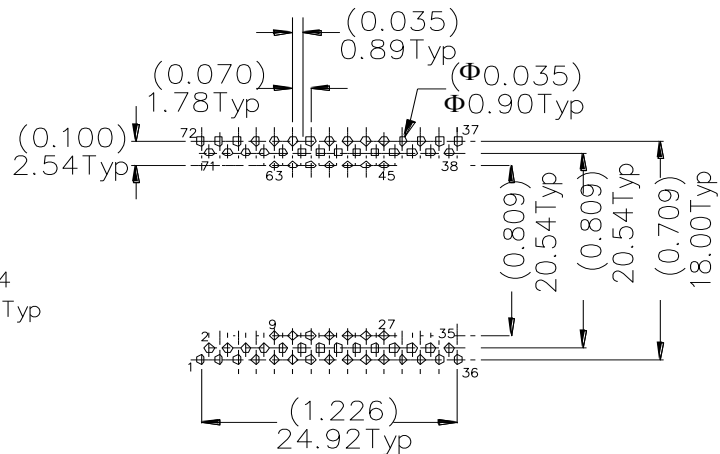
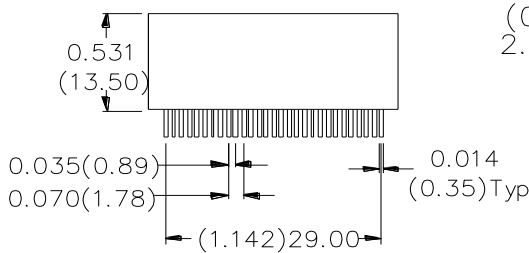
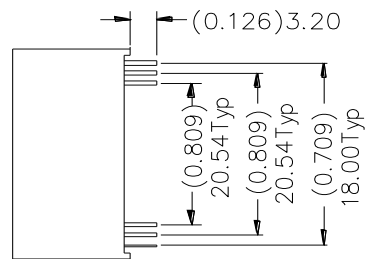
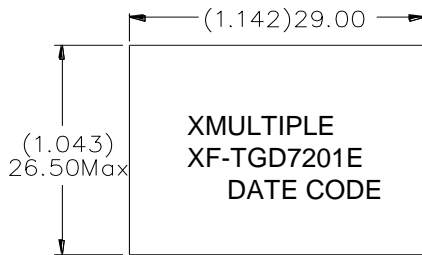


SUGGESTED PCB LAYOUT
TOP VIEW

XF-TGD72XXD

MECHANICAL SPECIFICATIONS

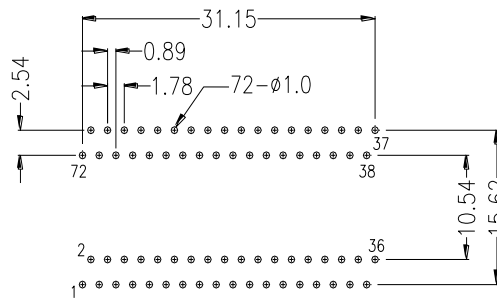
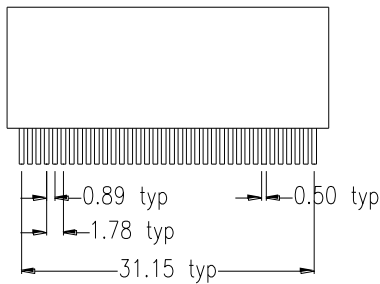
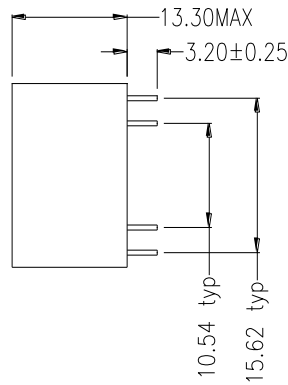
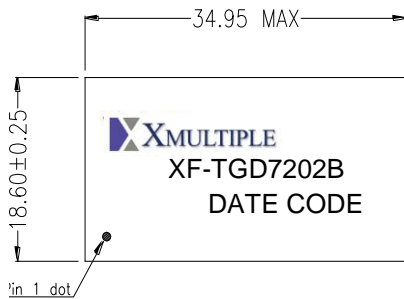
XF-TGD7201E



SUGGESTED PCB LAYOUT
TOP VIEW

MECHANICAL SPECIFICATIONS

XF-TGD7202B

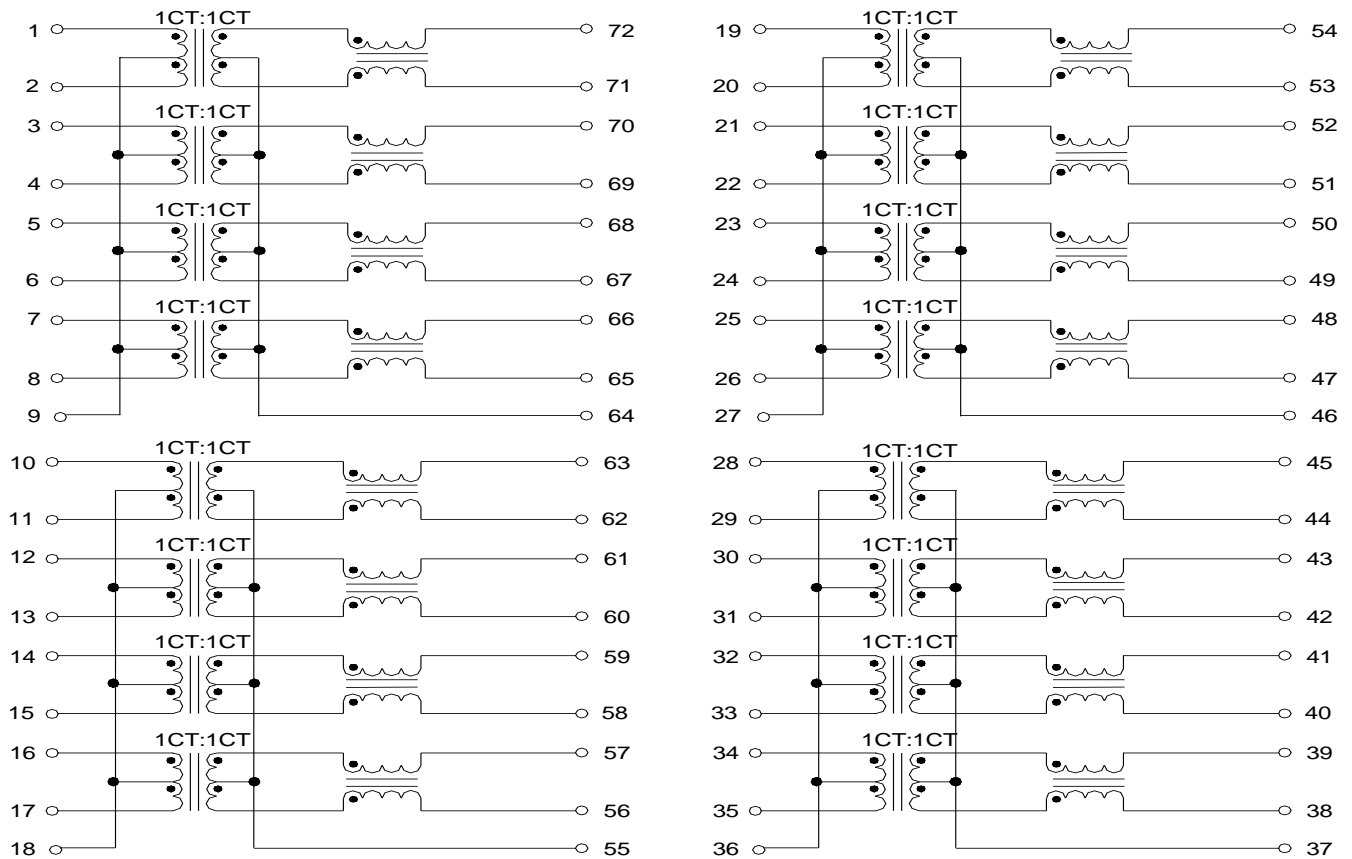


SUGGESTED PCB LAYOUT
TOP VIEW

XF-TGD72XXD

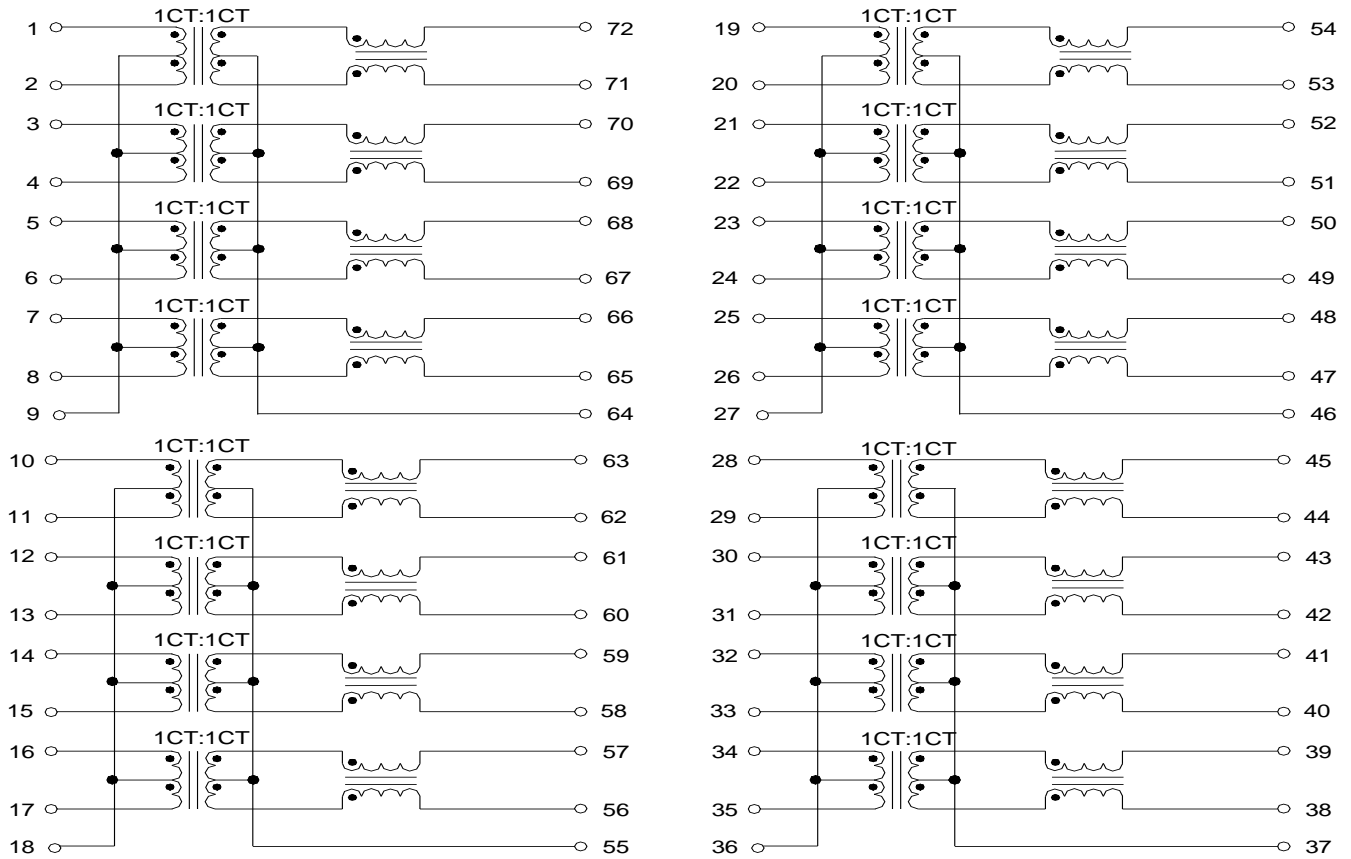
SCHEMATICS

XF-TGD7201D



SCHEMATICS

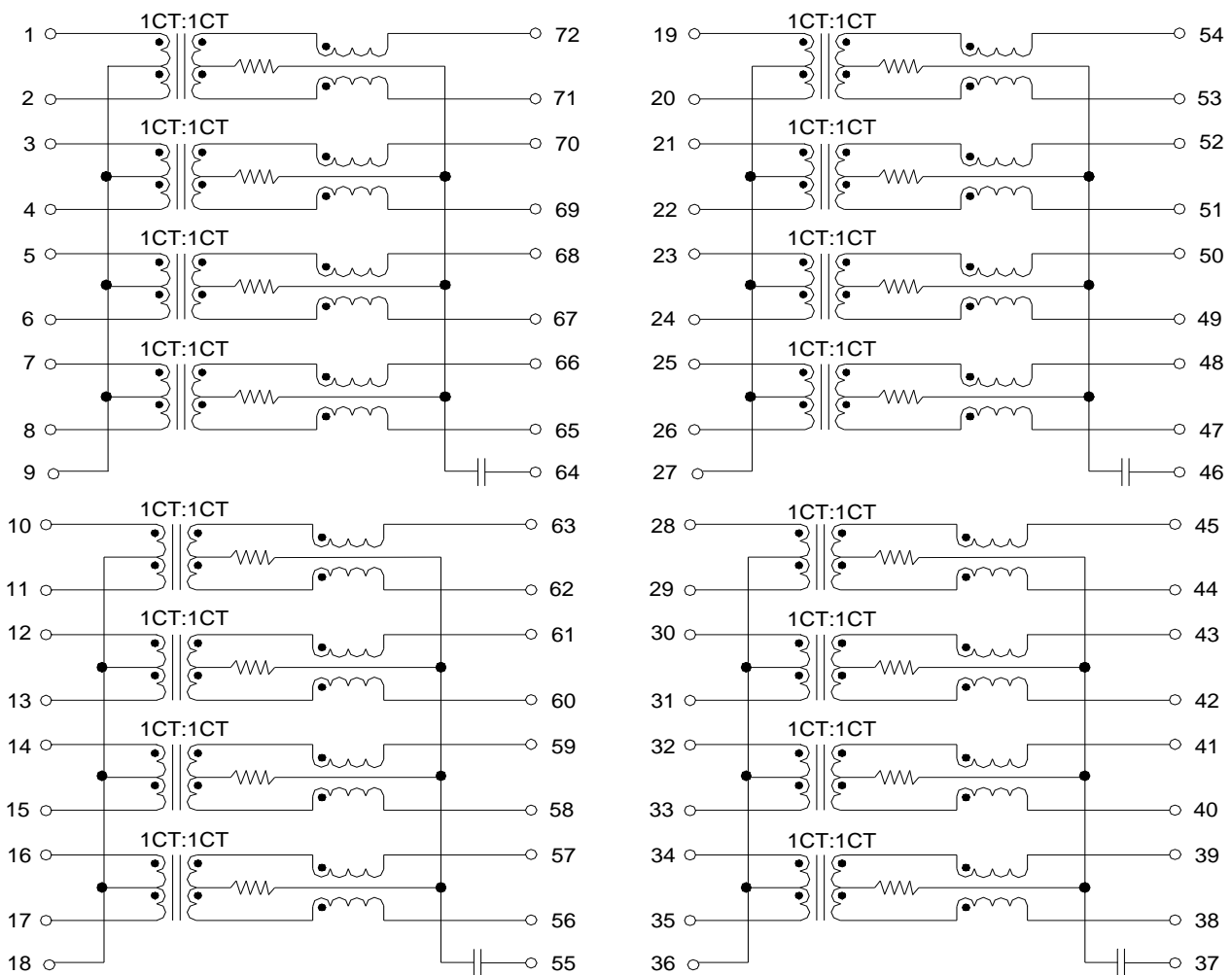
XF-TGD7201B



XF-TGD72XXD

SCHEMATICS

XF-TGD7201E



SCHEMATICS

XF-TGD7202B

