

## XF-TGD50XXS

- Designed To Meet IEEE802.3 And ANSI X3.263 Standards
- Compliant With IEEE802.3ab Standard For 1000Base-T.
- Supports 4 Pairs of category 5 UTP Cable
- For ROHS part Add Suffix G

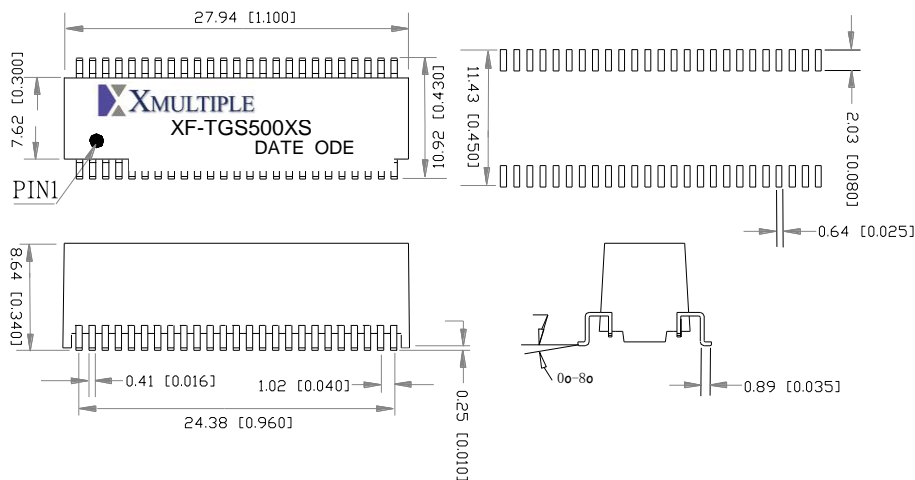
### ELECTRICAL SPECIFICATIONS @ 25°C - Operating Temperature 0°C to +70°C

Part Number	Insertion Loss (dB max)		Return Loss (dB min)				Crosstalk (dB min)			Common Mode Rejection
	1-100Mhz	1-40Mhz	60Mhz	80Mhz	100Mhz	30Mhz	60Mhz	100Mhz	1-100Mhz	
XF-TGS5001S	-1.1	- 18	-14	-12	-10	-40	-35	-30	-40	
XF-TGS5002S	-1.1	- 18	-14	-12	-10	-40	-35	-30	-40	
XF-TGS5003S	-1.1	- 18	-14	-12	-10	-40	-35	-30	-40	

Note: TGS5001S Compliant 530mA Current Capability  
TGS5003S Compliant 600mA Current Capability

### MECHANICAL SPECIFICATIONS

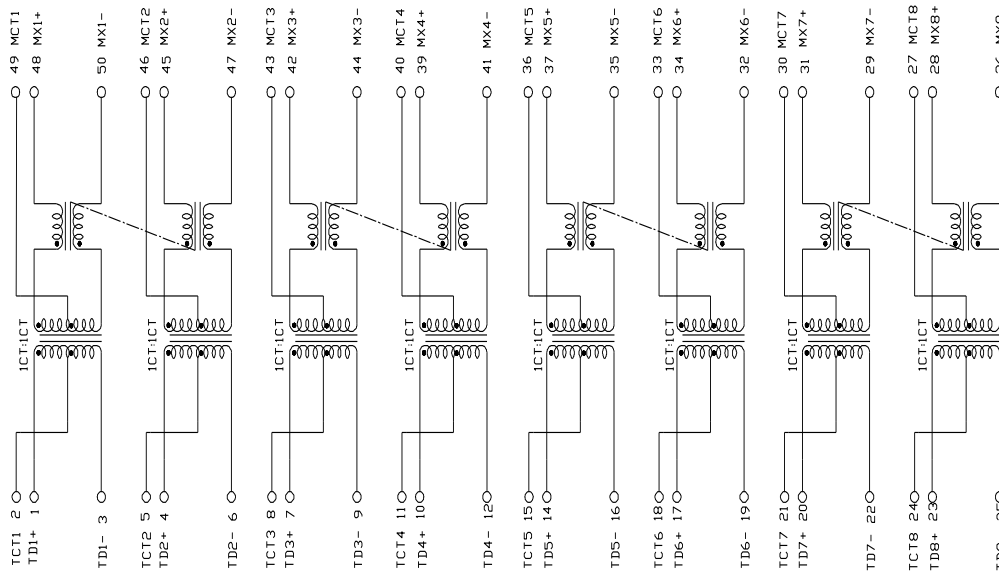
#### XF-TGS500XS



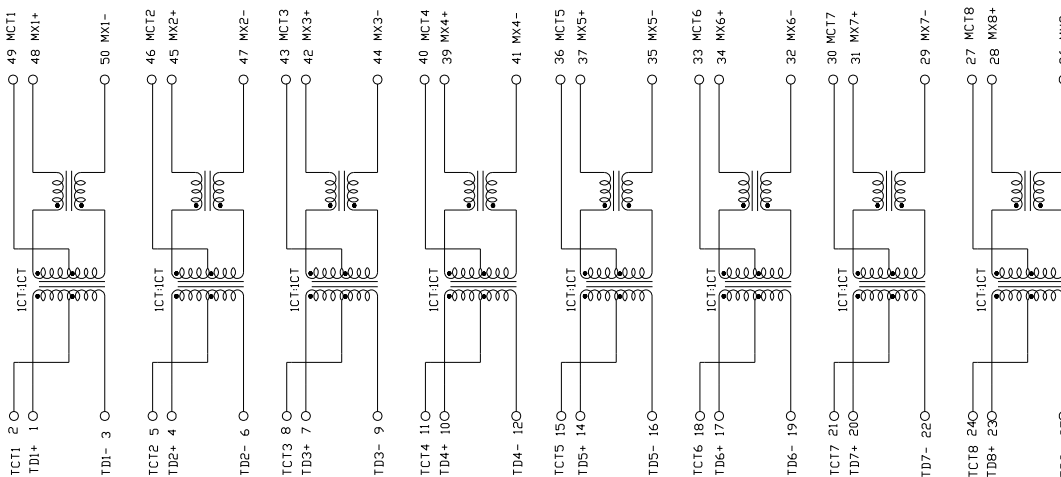
## XF-TGD50XXS

### SCHEMATICS

#### XF-TGS5001S



#### XF-TGS5002S



## XF-TGD50XXS

### SCHEMATICS

#### XF-TGS5003S

