

XF-TMD20XXD

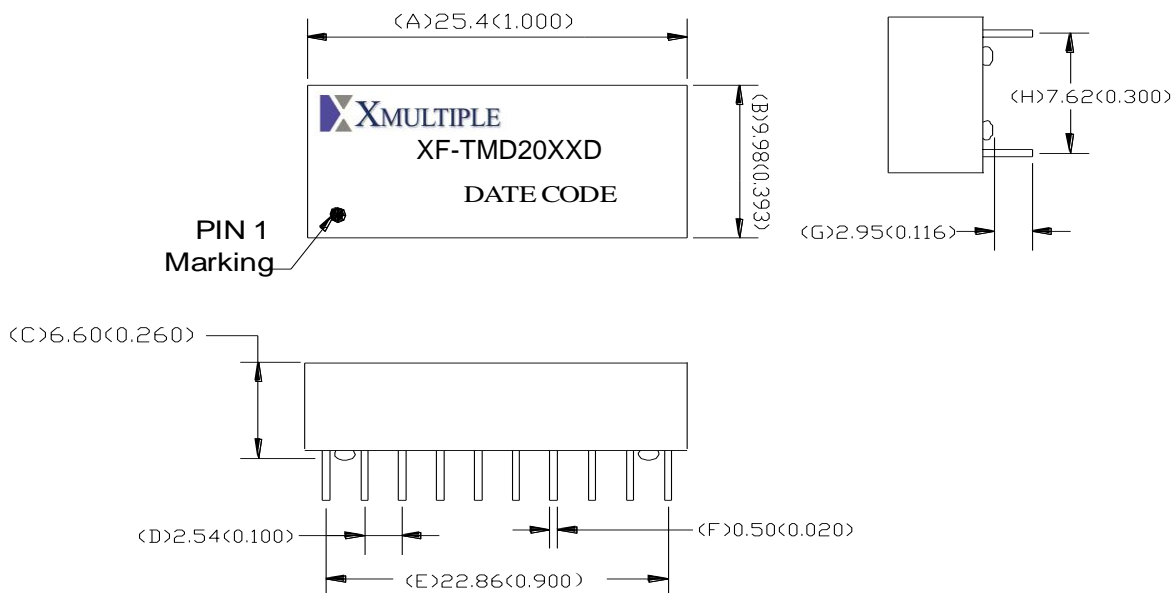
- Low Profile Surface Mount Packaging Designed Reflow Process (250° C peak).
- Compliant With IEEE 802ab draft standards for 1000Base-T..
- For RoHS Part Add Suffix G.

ELECTRICAL SPECIFICATIONS @ 25°C - Operating Temperature 0°C to +70°C

Part Number	Insertion Loss (dB max)		Return Loss (dB min)			Crosstalk (dB min)		Common Mode Rejection		
	0.3-100MHz	0.3-30MHz	40MHz	50MHz	60-80MHz	0.3-30MHz	60-100MHz	0.3-30MHz	60MHz	80-100MHz
XF-TMD2001D	-1.1	-18	-14.4	-13.1	-12	-42	-33	-40	-35	-30
XF-TMD2002D	-1.1	-18	-14.4	-13.1	-12	-42	-33	-40	-35	-30

MECHANICAL SPECIFICATIONS

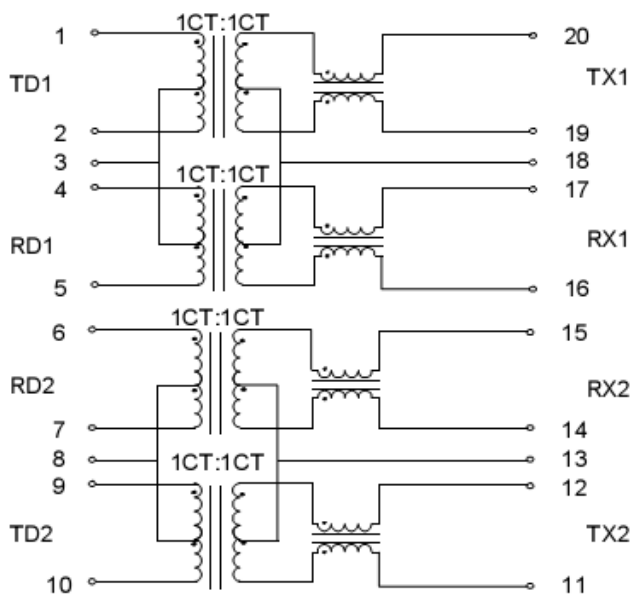
XF-TMD20XXD



XF-TMD20XXD

SCHEMATICS

XF-TMD2001D



XF-TMD2002D

