

XF-TGD16XXS

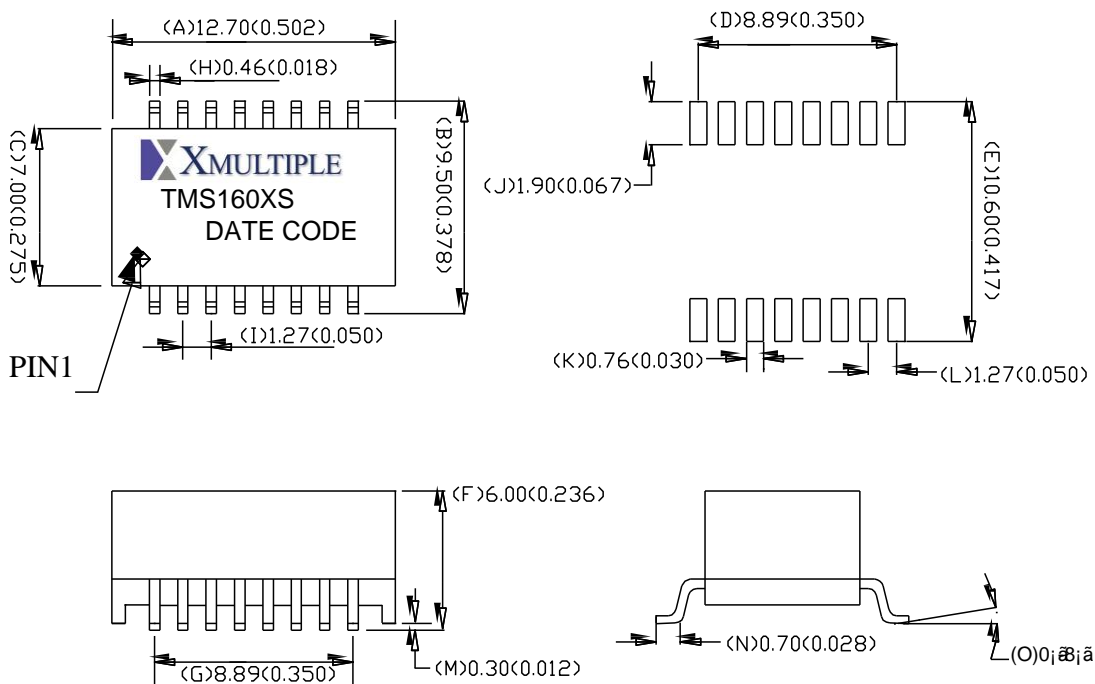
- Compliant With IEEE 802.3 standards including Baseline Wander Compensation specification of 350uH OCL when biased at 8mA from 0° C to 70° C
- Low Profile Surface Mount Packaging Designed For Hi-Temp Reflow Process (250° C peak)
- Single Channel Interface For 10/100Mbps Ethernet Applications with CMC's tuned to enhance EMC system performance.
- For RoHS Part Add Suffix G.

ELECTRICAL SPECIFICATIONS @ 25°C - Operating Temperature 0°C to +70°C

Part Number	Insertion Loss (dB max)		Return Loss (dB min)			Crosstalk (dB min)			Common Mode Rejection	
	0.3-100MHz	1-30MHz	40MHz	50MHz	60MHz	30MHz	60MHz	100MHz	1-100MHz	
XF-TMS160AS	-1.1	-16	-16	-14.1	-12.5	-35.8	-30.8	-28	-30.8	-30
XF-TMS1601S	-1.1	-16	-16	-14.1	-12.5	-10	-30	-35.8	-30.8	-28

MECHANICAL SPECIFICATIONS

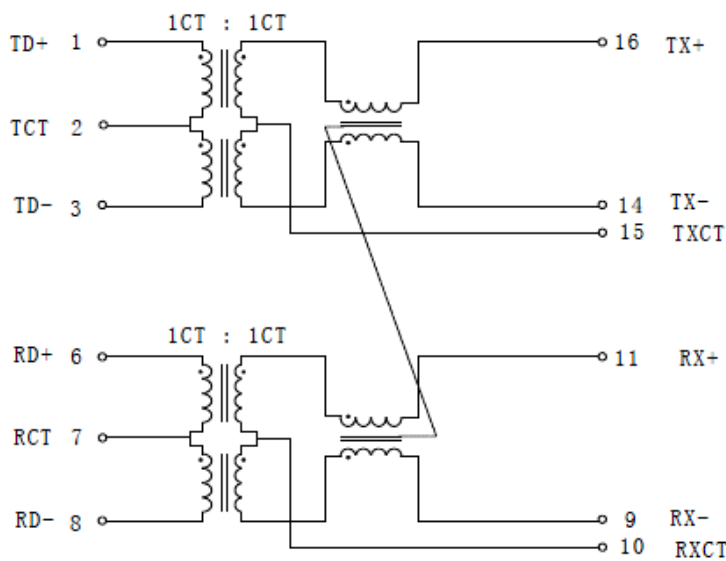
XF-TMS160AS / XF-TMS1601S



XF-TGD16XXS

SCHEMATICS

XF-TMS160AS



XF-TMS1601S

