



SPECIFICATION FOR APPROVAL

XF-S558-5999

Customer Part No.	S558-5999
Xmultiple Part No.	XF-S558-5999
Product Description	10/100Mbps LAN Transformer
Quantity	
Documents Included	1. Specification Drawing
	2. Test Reports
	3. Materials Specification
	4. SGS Report

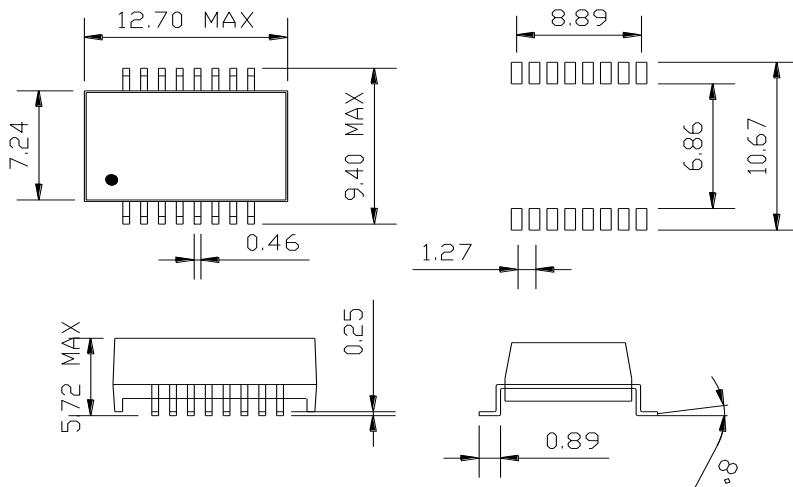
	MANUFACTURER SIGNATURE	CUSTOMER SIGNATURE
APPROVED BY		
DATE:		

XMULTIPLE Technologies, Inc.
1060 Los Angeles Avenue, Simi Valley, CA 93065
(805) 579-1100 FAX: (805) 579-7800
www.xmultiple.com and www.xmultiple.net

SPECIFICATION FOR APPROVAL

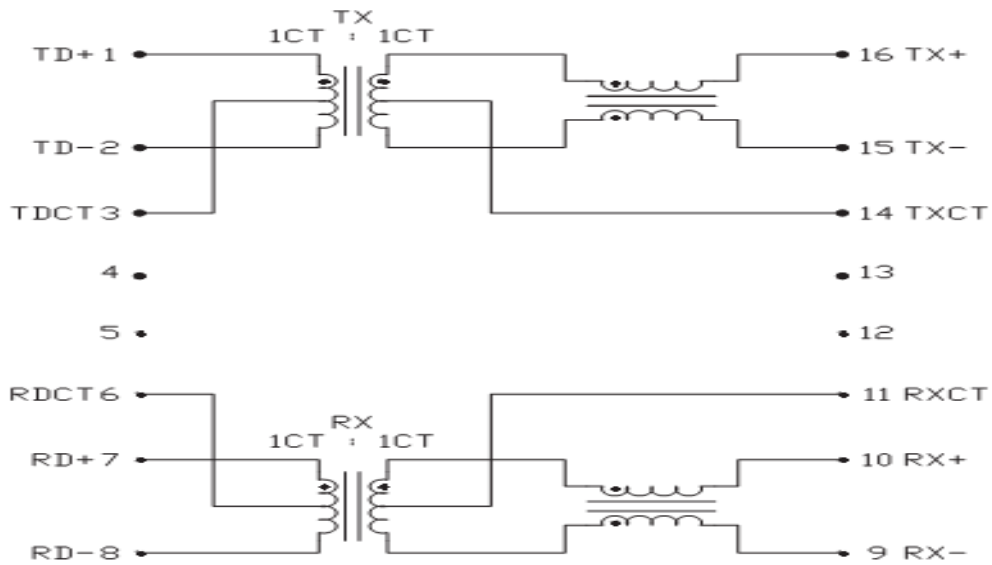
Customer:	Customer P/N: S558-5999	Date: 1/14/2011
Quantity: 10PCS	Xmultiple P/N: XF-S558-5999	

1. MECHANICAL DIMENSIONS:(mm/inch)



2. SCHEMATICS:

SCHEMATIC



SPECIFICATION FOR APPROVAL

Customer:	Customer P/N: S558-5999	Date: 1/14/2011
Quantity: 10PCS	Xmultiple P/N: XF-S558-5999	

3. ELECTRICAL SPECIFICATIONS @ 25°C:

- 3-1. Inductance OCL:
@350uH Min, WITH 8mA DC BAIS 100KHz 0.1V
- 3-2. Turn Ratio:
@Pri:Sec=1CT:1CT±3%
- 3-3. LK:(AT 1MHz 0.1V)
0.4uH Max
- 3-4. CW/W:(AT 1MKHz 0.2V)
25PF MAX
- 3-5. Polarity:
@1-16,7-10 In-Phase
- 3-6. Isolation HI-POT:
@1500VAC 1S 1mA
- 3-7. Insertion Loss:
@300KMz-80MHz -1.0dB Max (Tx/Rx)
- 3-8. Return Loss:
@30MHz -16dB Min (Tx/Rx)
@60MHz -12dB Min (Tx/Rx)
@80MHz -10dB Min (Tx/Rx)
- 3-9. Cross Talk:
@0.1-80MHz -38dB Min (Tx TO Rx)
@80-125MHz -30dB Min (Tx TO Rx)
@125-250MHz -10dB Min (Tx TO Rx)
- 3-10. Common to Differential:
@0.1-80MHz -38dB Min (Tx TO Rx)
@80-125MHz -30dB Min (Tx TO Rx)
@125-250MHz -10dB Min (Tx TO Rx)

① Operating Temp Range: 0 °C TO+70 °C.

SPECIFICATION FOR APPROVAL

Customer:	Customer P/N: S558-5999	Date: 1/14/2011							
Quantity: 10PCS	Xmultiple P/N: XF-S558-5999								
SPECIFICATION:	1	2	3	4	5				
L:(AT 100KHz 0.1V)									
350uH Min (Test by CH3250)									
1-2	766	835	768	789	779				
7-8	642	690	711	695	800				
LK:(AT 1MHz 0.1V)									
0.4uH Max (Test by CH1062)									
1-2 (16-15short)	0.29	0.22	0.20	0.29	0.28				
7-8 (10-9short)	0.32	0.21	0.28	0.23	0.29				
CW/W:(AT 1MKHz 0.2V)									
25PF MAX (Test by CH1062)									
1-2 TO 16-15	11.9	13.3	13.8	14.6	15.1				
7-8 TO10-9	11.10	14.10	13.0	14.8	12.8				
URNS RATIO:									
(Test by CH3250)									
(1-2):(16-15)=1CT:1CT±3%	OK	OK	OK	OK	OK				
(7-8):(10-9)=1CT:1CT±3%	OK	OK	OK	OK	OK				
Polarity:									
1-16 In-Phase	OK	OK	OK	OK	OK				
7-10 In-Phase	OK	OK	OK	OK	OK				
(Test by CH3250)									
HI-POT:									
AT:1500VAC 1mA 1S (Test by CH9053)									
1-2 TO 16-15	OK	OK	OK	OK	OK				
7-8 TO 10-9	OK	OK	OK	OK	OK				
Insertion Loss:									
-1.0dB Max(300KMz-100MHz) (Test by HP8712ET)									
TX:									
30MHz	-0.30	-0.32	-0.31	-0.33	-0.29				

SPECIFICATION FOR APPROVAL

Customer:	Customer P/N: S558-5999	Date: 1/14/2011							
Quantity: 10PCS	Xmultiple P/N: XF-S558-5999								
40MHz	-0.37	-0.35	-0.39	-0.36	-0.35				
50MHz	-0.43	-0.41	-0.43	-0.42	-0.40				
60MHz	-0.46	-0.47	-0.49	-0.45	-0.48				
80MHz	-0.50	-0.50	-0.53	-0.52	-0.49				
100MHz	-0.48	-0.45	-0.46	-0.49	-0.42				
RX:									
30MHz	-0.32	-0.33	-0.31	-0.31	-0.30				
40MHz	-0.37	-0.36	-0.39	-0.36	-0.36				
50MHz	-0.42	-0.43	-0.41	-0.43	-0.42				
60MHz	-0.48	-0.46	-0.49	-0.48	-0.37				
80MHz	-0.53	-0.52	-0.53	-0.51	-0.51				
100MHz	-0.44	-0.48	-0.44	-0.42	-0.49				
Return Loss:									
-16dB Min(30MHz)									
-12dB Min(60MHz)									
-10dB Min(80MHz)									
(Test by HP8712ET)									
TX:									
30MHz	-22.2	-24.3	-23.5	-22.4	-22.5				
60MHz	-16.3	-15.6	-16.6	-17.3	-16.5				
80MHz	-14.4	-15.5	-14.6	-14.7	-14.8				
RX:									
30MHz	-20.3	-20.6	-20.2	-19.7	-20.4				
60MHz	-16.2	-15.8	-16.1	-16.7	-16.2				
80MHz	-13.1	-14.6	-15.6	-13.5	-14.4				
Cross Talk:									
-38dB Min(0.1-80MHz)									
-30dB Min(80-125MHz)									
-10dB Min(125-250MHz)									
(Test by HP8712ET)									
TX1 TO RX1									
0.1-80MHz	-50.2	-58.5	-50.2	-50.4	-57.6				
80-125MHz	-42.9	-41.4	-41.2	-41.8	-42.4				
125-250MHz	-13.9	-13.8	-16.3	-13.1	-14.6				
RX1 TO TX2									

SPECIFICATION FOR APPROVAL

Customer:		Customer P/N: S558-5999				Date: 1/14/2011				
Quantity: 10PCS		Xmultiple P/N: XF-S558-5999								
0.1-80MHz		-46.3	-43.2	-45.4	-43.6	-47.5				
80-125MHz		-38.6	-36.8	-31.7	-38.3	-31.4				
125-250MHz		-15.3	-14.0	-15.5	-13.9	-14.5				
OA Inspection	Dimensio	OK		Electric	OK		Result		PASS	
Reported: 吴超		Checked:				Approved:				