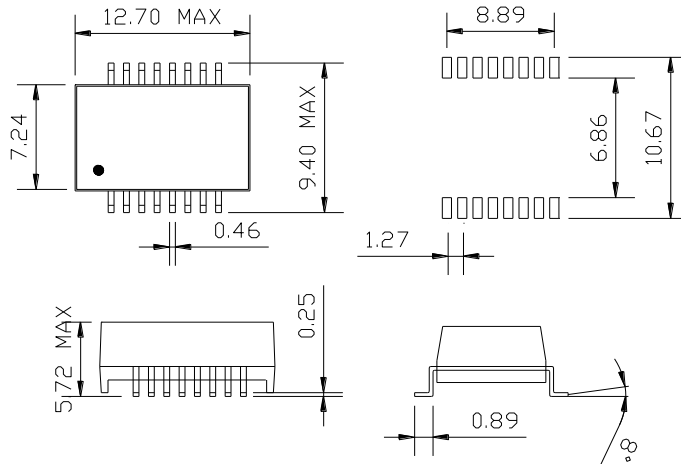




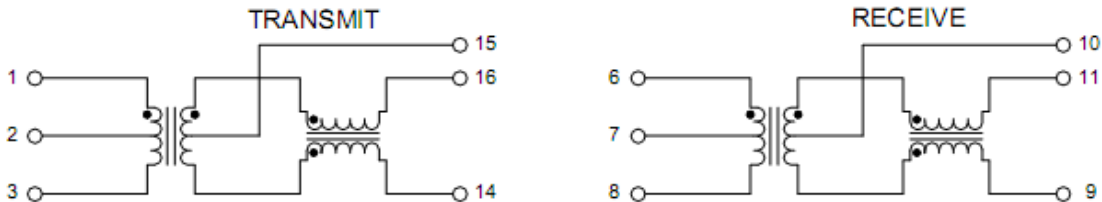
SPECIFICATION FOR APPROVAL

Customer:	Customer P/N: HA-003	Date: 2/8/2011
Quantity: 10PCS	Maglantic P/N: FN1605S	

1. MECHANICAL DIMENSIONS:(mm)



2. SCHEMATICS:



3. ELECTRICAL SPECIFICATIONS @ 25°C:

- 3-1. Inductance OCL:
@350uH min , 100KHz 0.1V
- 3-2. Turn Ratio:
@Pri:Sec=1CT:1CT ±3%
- 3-3. Insertion Loss:
@1Mz-100MHz -1.1dB Max (Tx/Rx)
- 3-4. Return Loss:
@30MHz -20dB Min (Tx/Rx)
@60MHz -14dB Min (Tx/Rx)
@80MHz -11.5dB Min (Tx/Rx)
- 3-5. Differential to Common Mode Rejection :
@30MHz -42dB Min (Tx TO Rx)
@50MHz -37dB Min (Tx TO Rx)
@100MHz -33dB Min (Tx TO Rx)
- 3-6. Cross Talk:



SPECIFICATION FOR APPROVAL

Customer:	Customer P/N: HA-003	Date: 2/8/2011	
Quantity: 10PCS	Maglantic P/N: FN1605S		
<p>@30MHz -45dB Min (Tx TO Rx) @60MHz -40dB Min (Tx TO Rx) @100MHz -35dB Min (Tx TO Rx)</p> <p>3-7. Isolation HI-POT: @1500Vrms ① Operating Temp Range: -0 °C TO+70 °C.</p>			
Reported:	刘娜	Checked:	Approved:



SPECIFICATION FOR APPROVAL

Customer:	Customer P/N: HA-003	Date: 2/8/2011							
Quantity: 10PCS	Maglantic P/N: FN1605S								
SPECIFICATION:	1	2	3	4	5				
OCL:(AT 100KHz 0.1V 8mA)									
(Test by CH3250)350uH min									
1-3	534	551	542	549	525				
6-8	536	552	545	551	522				
URNS RATIO:									
(Test by CH3250)									
(1-3):(16-14)=1CT:1CT±3%	OK	OK	OK	OK	OK				
(6-8):(11-9)=1CT:1CT±3%	OK	OK	OK	OK	OK				
Insertion Loss:									
-1.1dB Max(1Mz-100MHz)									
(Test by HP8712ET)									
TX:									
1MHz	-0.39	-0.36	-0.35	-0.33	-0.29				
30MHz	-0.37	-0.35	-0.39	-0.36	-0.35				
60MHz	-0.46	-0.47	-0.40	-0.45	-0.48				
80MHz	-0.45	-0.46	-0.49	-0.52	-0.49				
100MHz	-0.48	-0.45	-0.46	-0.49	-0.42				
RX:									
1MHz	-0.32	-0.53	-0.51	-0.35	-0.3				
30MHz	-0.35	-0.36	-0.38	-0.32	-0.39				
60MHz	-0.53	-0.51	-0.48	-0.46	-0.47				
80MHz	-0.51	-0.52	-0.53	-0.53	-0.51				
100MHz	-0.53	-0.52	-0.5	-0.51	-0.53				
100MHz	-0.57	-0.51	-0.52	-0.53	-0.52				
Return Loss:									
-20dB Min(30MHz)									
-14dB Min(60MHz)									
-11.5dB Min(80MHz)									
(Test by HP8712ET)									
TX:									
30MHz	-22.2	-24.3	-23.5	-22.4	-22.5				
60MHz	-18.9	-16.5	-17.2	-15.9	-16.3				



SPECIFICATION FOR APPROVAL

Customer:	Customer P/N: HA-003	Date: 2/8/2011							
Quantity: 10PCS	Maglantic P/N: FN1605S								
80MHz	-14.5	-14.8	-15.2	-16.1	-15.8				
RX:									
30MHz	-22.8	-22.1	-23.7	-21.5	-23.9				
60MHz	-17.3	-15.9	-16.2	-16.5	-17.1				
80MHz	-12.9	-14.1	-14.5	-13.9	-12.9				
Differential to Common Mode Rejection :									
-42dB Min(30MHz)									
-37dB Min(50MHz)									
-33dB Min(100MHz)									
30MHz	-44.8	-46.3	-43.8	-46.3	-46.8				
50MHz	-39.2	-40.5	-41.6	-42.1	-39.9				
100MHz	-31.2	-33.3	-34.2	-36.1	-35.0				
Cross Talk:									
(Test by HP8712ET)									
-45dB Min(30MHz)									
-40dB Min(60MHz)									
-35dB Min(100MHz)									
TX1 TO RX1									
30MHz	-60.1	-57.2	-61.3	-61.1	-58.1				
60MHz	-52.9	-51.4	-51.2	-51.8	-52.4				
100MHz	-43.9	-43.8	-46.3	-43.1	-44.6				
RX1 TO TX2									
30MHz	-63.6	-67.5	-65.4	-63.6	-67.5				
60MHz	-58.6	-51.1	-51.7	-52.2	-50.9				
100MHz	-43.1	-42.1	-43.5	-43.2	-44.4				
TX2 TO RX2									
30MHz	-65.2	-60.8	-60.1	-63.6	-67.5				
60MHz	-58.3	-59.8	-52.5	-56.5	-56.2				
100MHz	-47.1	-46.3	-47.9	-47.1	-46.3				
HI-POT:									
AT:1500Vrms									
(Test by CH9053)									
1-3 TO 16-14	OK	OK	OK	OK	OK				



SPECIFICATION FOR APPROVAL

Customer:	Customer P/N: HA-003	Date: 2/8/2011
Quantity: 10PCS	Maglantic P/N: FN1605S	
6-8 TO 11-9	<i>OK</i> <i>OK</i> <i>OK</i> <i>OK</i> <i>OK</i>	
Reported: 刘娜	Checked:	Approved: