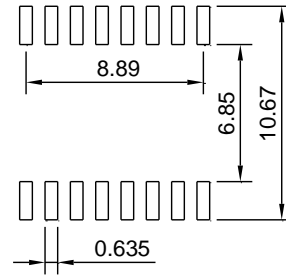
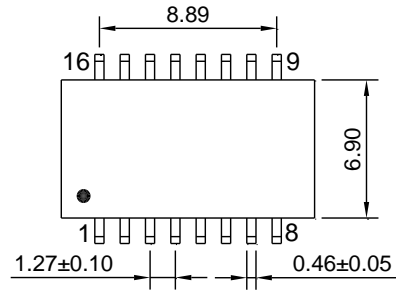
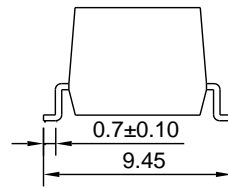
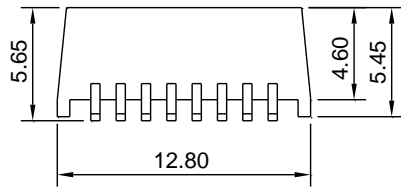


REV.	DESCRIPTION	DATE	DWN	AP'PD

一、Mechanical Dimensions

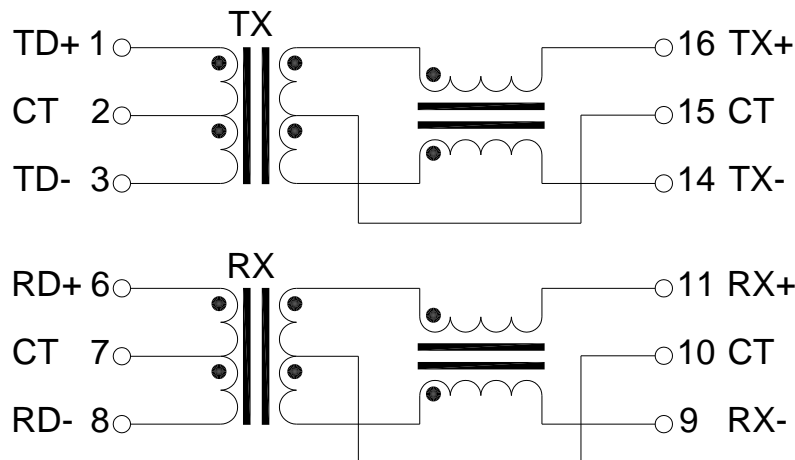


SUGGESTED PAD LAYOUT



UNIT:mm Unless otherwise specified,all tolerances are ± 0.25

二、Schematics



三、ELECTRICAL SPECIFICATIONS@25°C:

1. Turn Ratio($\pm 2\%$): 1CT:1CT
2. OCL(100KHz/100mV@8mA): 350uH MIN
3. Insertion Loss(dB MAX): -1.1dB(0.3-100MHz)
4. Return Loss(dB TYP): -20dB(30MHz),-14dB(60MHz),-11.5dB(80MHz)
5. Crosstalk(dB TYP): -45dB(30MHz),-40dB(60MHz),-35dB(100MHz)
6. DCMR(dB TYP): -42dB(30MHz),-37dB(50MHz),-33dB(100MHz)
7. HI-POT:1500Vrms/0.5mA/60Sec or 1650Vrms/0.5mA/2Sec
8. Operating Temperature: -40°C TO+85°C
9. RoHS compliance:YES

Ref:H1102TNL(C1410)

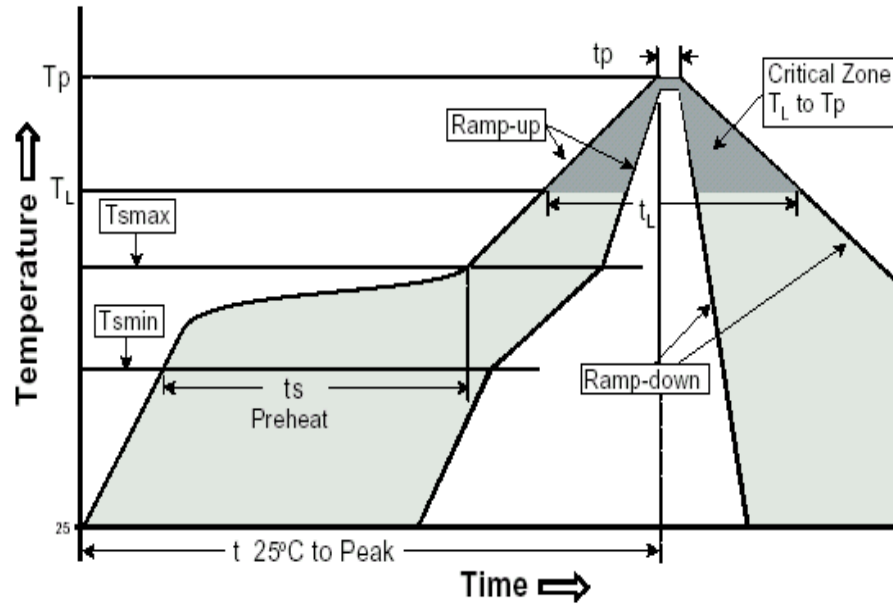
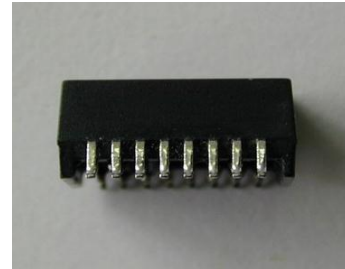
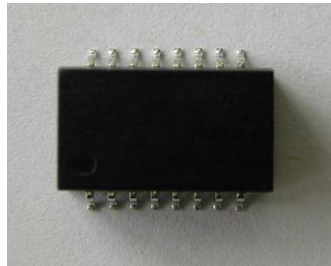


Xmultiple

Xmultiple			
TITLE	10/100BASE-T SINGLE PORT SURFACE MOUNT MAGNETICS		
P/N	XF-11FB-05ANL-SGI	REV.	0
PAGE NO	1-4	DATE	2010-6-17
AP'PD	Li YueSheng	DWN	Hu XiaoLan

四、 Our RoHS parts just can withstand IR Reflow peak temperature: 245degC+/-5degC as the following profile:

REV.	DESCRIPTION	DATE	DWN	AP'PD



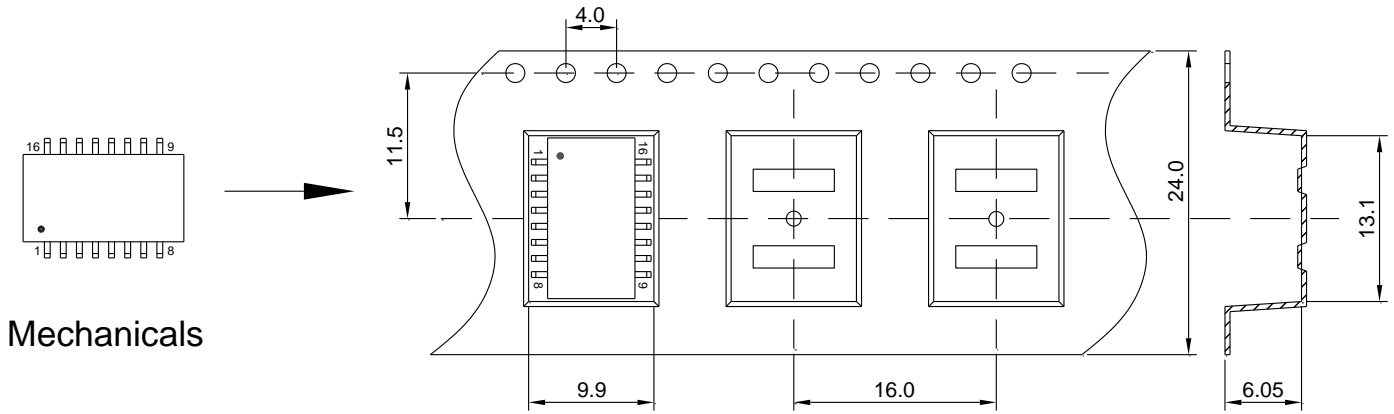
Profile Feature	Pb-Free Assembly
Average Ramp-Up Rate ($T_{s_{max}}$ to T_p)	3°C /second max.
Preheat -Temperature Min ($T_{s_{min}}$) -Temperature Max ($T_{s_{max}}$) -Time ($t_{s_{min}}$ to $t_{s_{max}}$)	150°C 200°C 60-180 seconds
Time maintained above: -Temperature (T_L) -Time (t_L)	217°C 60-150 seconds
Peak/Classification Temperature (T_p)	245±5°C
Time within 5°C of actual Peak Temperature (t_p)	20-40 seconds
Ramp-Down Rate	6°C/seconds max
Time 25°C to Peak Temperature	6 minutes max.

	Xmultiple			
	TITLE	10/100BASE-T SINGLE PORT SURFACE MOUNT MAGNETICS		
	P/N	XF-11FB-05ANL-SGI	REV.	0
	PAGE NO	2-4	DATE	2010-6-17
	AP'PD	Li YueSheng	DWN	Hu XiaoLan

五、 Packing Information:

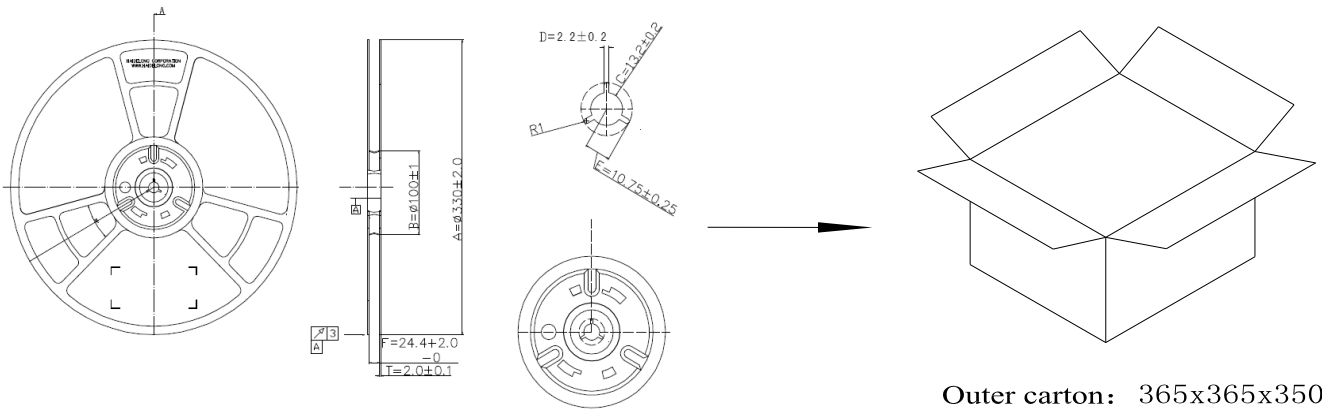
REV.	DESCRIPTION	DATE	DWN	AP'PD

1. Weight-----0.7 grams/pcs
2. Tape & Reel----- 700 pcs
3. outer carton unit: 7000pcs/box
4. outer carton unit: 10 T&R/box
5. Weight: 10.5kg per carton



Mechanicals

Tape & Reel



Outer carton: 365x365x350mm



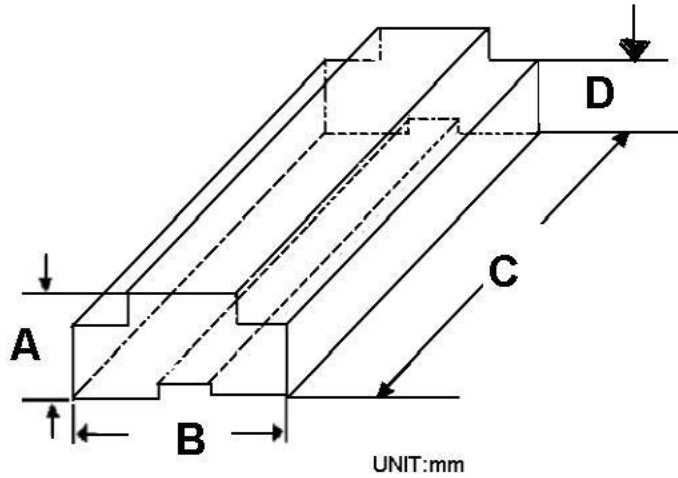
Xmultiple

TITLE	10/100BASE-T SINGLE PORT SURFACE MOUNT MAGNETICS		
P/N	XF-11FB-05ANL-SGI	REV.	0
PAGE NO	3-4	DATE	2010-6-17
AP'PD	Li YueSheng	DWN	Hu XiaoLan

六、 Packing Information:

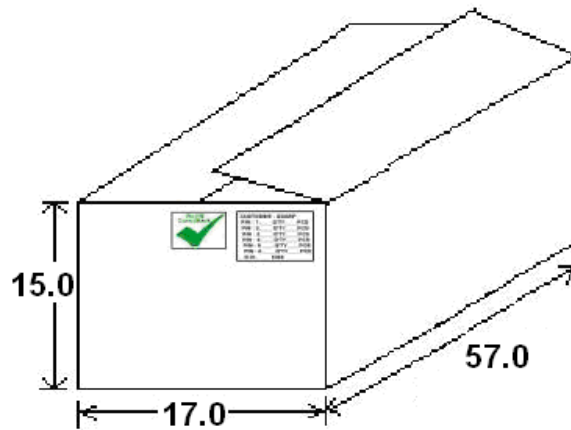
REV.	DESCRIPTION	DATE	DWN	AP'PD

- 1.Weight-----0.7 grams/pcs
2. TUBE ----- 36 pcs



Size(mm)			
A	B	C	D
9.20	13.70	485.0	6.0

3. outer carton unit: 3600pcs/box
4. outer carton unit: 100Tube /box
- 5.Weight: 5.2kg per carton



	Xmultiple			
	TITLE	10/100BASE-T SINGLE PORT SURFACE MOUNT MAGNETICS		
	P/N	XF-11FB-05ANL-SGI	REV.	0
	PAGE NO	4-4	DATE	2010-6-17
	AP'PD	Li YueSheng	DWN	Hu XiaoLan