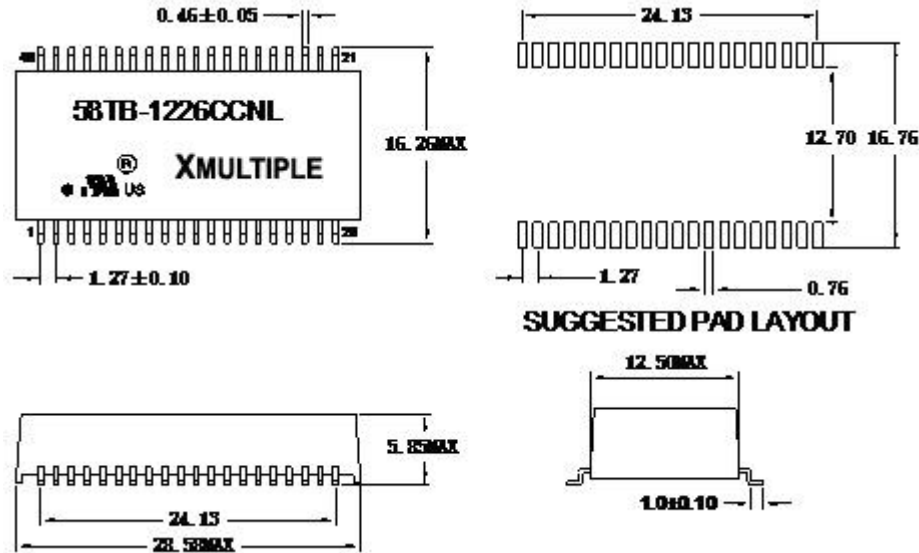


REV.	DESCRIPTION	DATE	DWN	AP'PD

一、Mechanical Dimensions

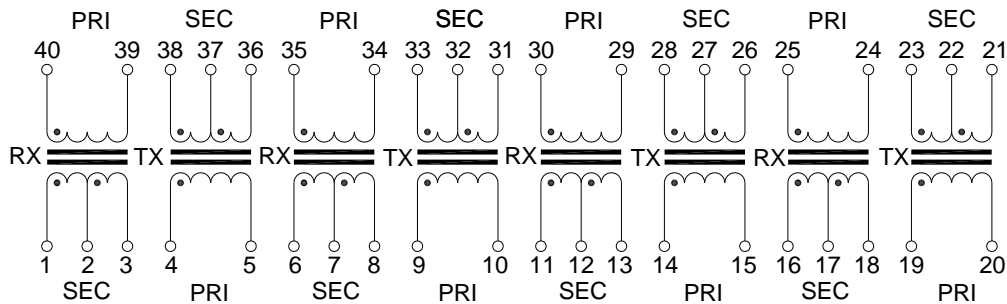


UNIT:mm Unless otherwise specified,all tolerances are ± 0.25

二、Schematics

三、ELECTRICAL SPECIFICATIONS@25°C:

1. Turn Ratio($\pm 2\%$)Pri:Sec: 1:1CT
2. Pri OCL(100KHz/0.1V): 1.2mH MIN
3. Pri LL(100KHz/0.1V): 0.6uH MAX.
4. CWW(100KHz/0.1V): 35pF MAX
5. HI-POT: 1500Vrms/0.5mA/2Sec
6. Operating Temperature : $-20^{\circ}\text{C} \sim +85^{\circ}\text{C}$
7. RoHS compliance: YES

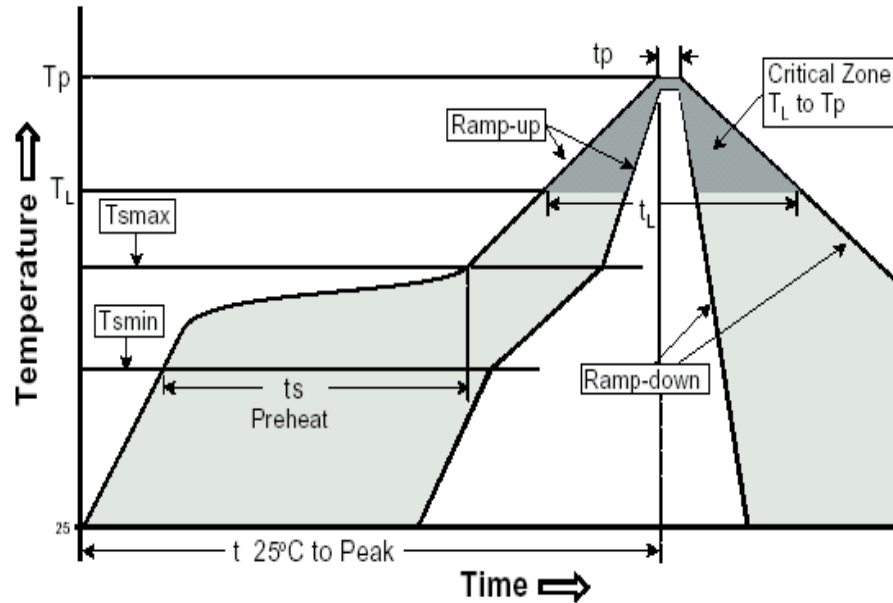
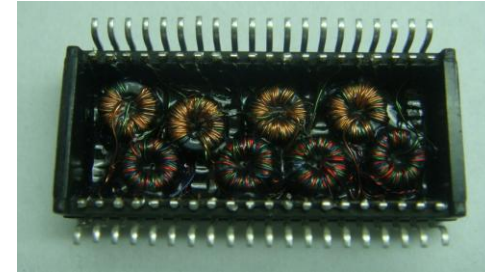
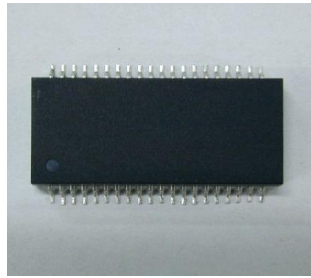


Ref: TX1294NL

Xmultiple Technologies			
TITLE	TRANSFORMER		
P/N	XP-58TB-1226CCNL	REV.	0
PAGE NO	1-3	DATE	2009-8-15
AP'PD	Li YueSheng	DWN	Hu XiaoLan

四、 Our RoHS parts just can withstand IR Reflow peak temperature: 245degC+/-5degC as the following profile:

REV.	DESCRIPTION	DATE	DWN	AP'PD



Profile Feature	Pb-Free Assembly
Average Ramp-Up Rate ($T_{s_{max}}$ to T_p)	3°C /second max.
Preheat -Temperature Min ($T_{s_{min}}$) -Temperature Max ($T_{s_{max}}$) -Time ($t_{s_{min}}$ to $t_{s_{max}}$)	150°C 200°C 60-180 seconds
Time maintained above: -Temperature (T_L) -Time (t_L)	217°C 60-150 seconds
Peak/Classification Temperature (T_p)	245±5°C
Time within 5°C of actual Peak Temperature (t_p)	20-40 seconds
Ramp-Down Rate	6°C/seconds max
Time 25°C to Peak Temperature	6 minutes max.

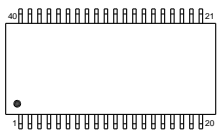
Xmultiple Technologies

TITLE	TRANSFORMER		
P/N	XF-58TB-1226CCNL	REV.	0
PAGE NO	2-3	DATE	2009-8-15
AP'PD	Li YueSheng	DWN	Hu XiaoLan

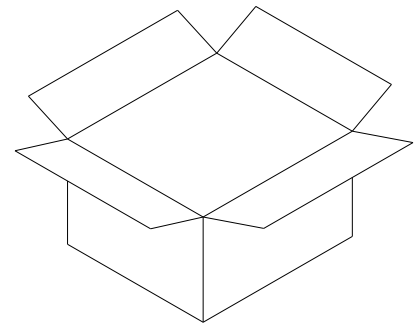
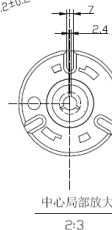
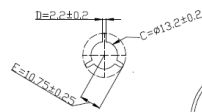
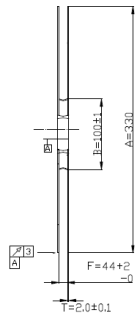
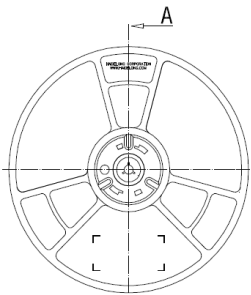
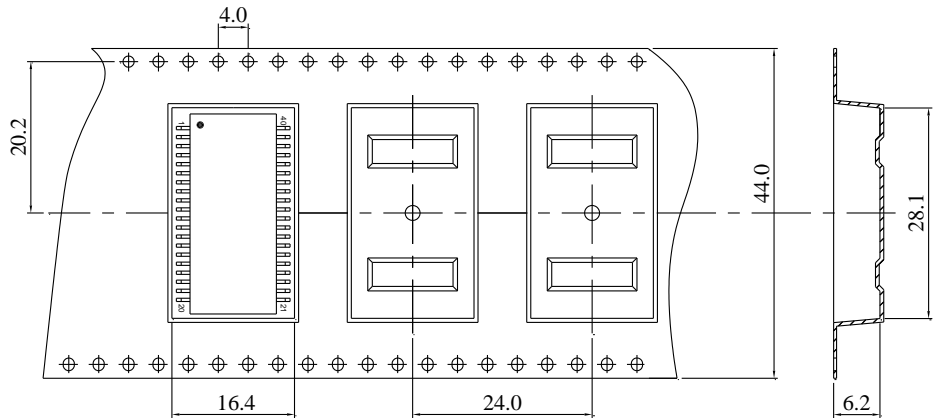
五、 Packing Information:

1. Weight----- 2.7grams/pcs
2. Tape & Reel----- 400pcs
3. outer carton unit: 2400pcs/box
4. outer carton unit: 6T&R/box
5. Weight: 11.0kg per carton

REV.	DESCRIPTION	DATE	DWN	AP'PD



Mechanicals



Outer carton: 365x365x350mm

Xmultiple Technologies

TITLE	TRANSFORMER		
P/N	XF-58TB-1226CCNL	REV.	0
PAGE NO	3-3	DATE	2009-8-15
AP'PD	Li YueSheng	DWN	Hu XiaoLan