

# LAN Transformer

## Single Port 10/100Mbps



Connecting the Information Age

[www.xmultiple.com](http://www.xmultiple.com)

### SINGLE PORT SMD ETHERNET 10/100 BASE –TX HIGH SPEED LAN MAGNETICS

#### XF-C03A1C01

Page : 1/2

- High isolation voltages to comply with international safety requirements for LANS.
- Compliant with IEEE 802.3u and ANSI X3.263 standards including 350uH OCL with 8mA bias.
- Comply with Air reflow profile of JEDEC 020-C.
- All materials RoHS and UL94-V0 compliant.
- Compliant with EN60950-1 for basic insulation.
- Bottom Open Type.

#### Electrical Specifications @ 25°C

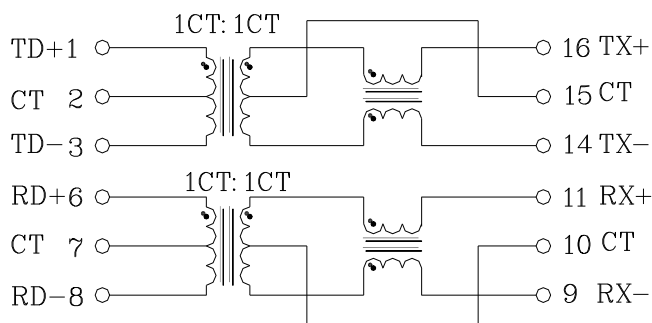
Part Number	Turns Ratio (±5%) TX/RX	OCL (μH Min) @ 100KHz/0.1V with 8mA DC Bias	L.L (uH Max)	C <sub>www</sub> (pF Max)	DCMR (dB Min)	HI-POT (Vrms) 60 Sec.
					1-100MHz	
C03A1C01	1CT:1CT	350	0.4	28	-25	1500

#### Electrical Specifications @ 25°C

Part Number	Insertion Loss (dB Max)	Return Loss (dB Min)				Cross talk (dB Min)
		0.3-100MHz	2-30MHz	40MHz	50MHz	
C03A1C01	-1.2	-16	-14.4	-13.1	-12	-35

\* Operating temperature range: -0°C to +70C..Storage temperature range: -20°C to +125°C.

#### SCHEMATIC



# LAN Transformer

## Single Port 10/100Mbps

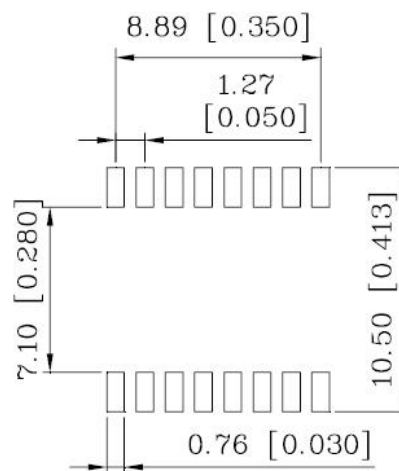
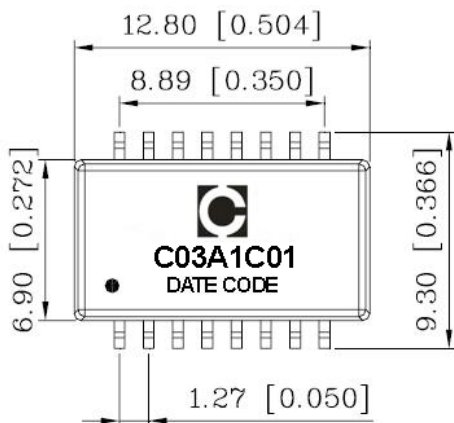


### SINGLE PORT SMD ETHERNET 10/100 BASE –TX HIGH SPEED LAN MAGNETICS

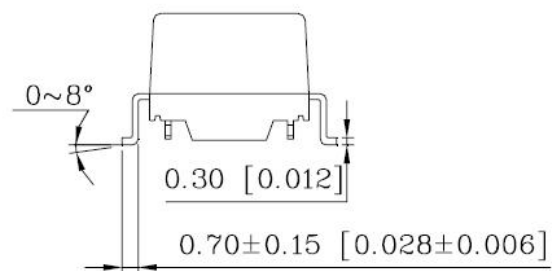
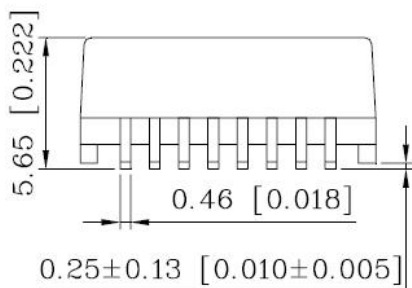
XF-C03A1C01

Page : 2/2

#### MECHANICAL



SUGGESTED PAD LAYOUT



Unit: mm[inches].  
Tolerance:  $\pm 0.25(0.010)$  unless specified otherwise.