

# XF Transformer

## 75W Transformer



### XF Transformer

**XF-EE2547A2-X503**

Page : 1/3

- 75W Transformer
- Compact Dimensions
- UL Certified
- RoHS compliant
- Xmultiple XF Transformer Series

Electrical Specifications @ 25°C		
Part Number	Inductance	HI-POT
XF-EE2547A2-X503	500KHZ 1V	2000VAC 5mA 1SEC 50HZ

\* Operating temperature range: 0°C to +70°C. Storage temperature range: -40C to +85°C.

3.ELECTRICAL CHARACTERISTICS:					
ITEM	PARAMETER	SYMBOLS AND CONDITIONS	RESULT OF RANGE	UNIT	TEST INSTRUMENTS
1	INDUCTANCE	1-2 @500KHZ 1V	25 MIN	uH	#HP4284L
2	DC RESISTANCE	1-2 6-3 8-7 @25°C		0.044±15% OHM 0.084±15% OHM 0.051±15% OHM	#502A
3	HI-POT	1-6.8 @2000VAC 5mA 1SEC 50HZ 6-8;1.6.8-CORE @1500VAC 5mA 1SEC 50HZ			#9301S
4	T/S	1-2 8-7 20KHZ 1V NP: 6-3=12TS		4±0.2 8±0.2	TS TS #310

# XF Transformer

## 75W Transformer



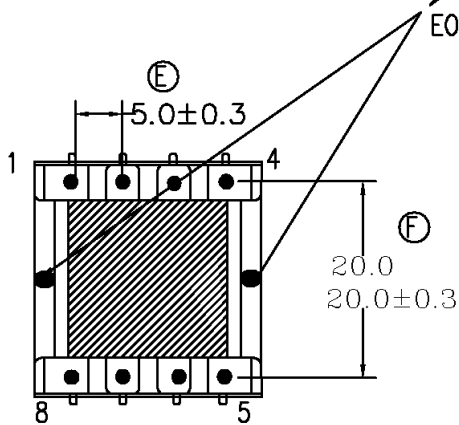
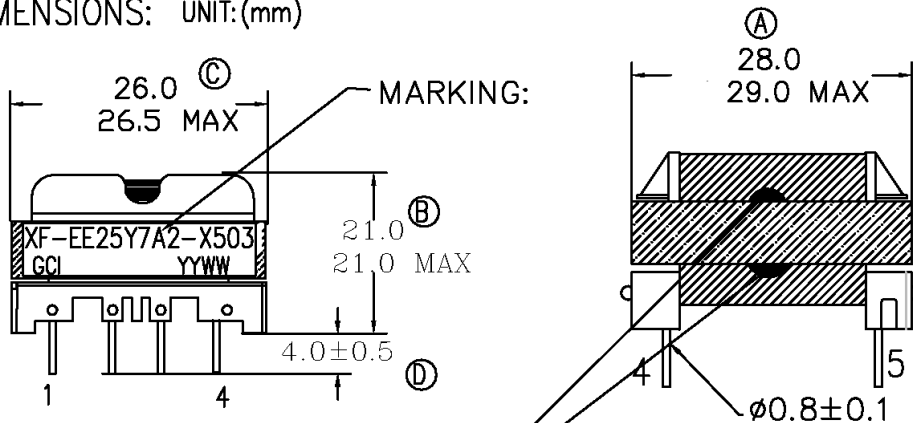
### XF Transformer

XF-EE2547A2-X503

Page : 2/3

#### MECHANICAL

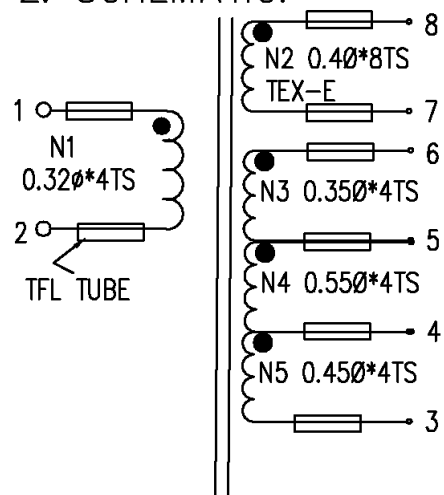
1. DIMENSIONS: UNIT: (mm)



BOTTOM VIEW

EOPXY(3300HF)

2. SCHEMATIC:



# XF Transformer

## 75W Transformer



### XF Transformer

**XF-EE2547A2-X503**

Page : 3/3

ITEM	DIMENSIONS: UNIT: (mm)					
TEST FREQ						
PIN	A	B	C	D	E	F
YOURS	28.0	21.0	26.0	4.0±0.5	5.0±0.3	20.0
GCI'S	29.0 MAX	21.0 MAX	26.5 MAX			20.0±0.3
1	28.30	19.87	25.45	4.09	4.96	20.06
2	28.33	19.97	25.30	4.10	4.95	20.01
3	28.20	19.94	25.36	4.19	5.02	20.00
4	28.36	19.97	25.35	4.18	4.94	20.12
5	28.40	20.00	25.25	4.14	4.99	20.10